

Universal 2 Industrial Series

ROTARY POSITIVE DISPLACEMENT ECP PUMPS



For more than half a century, Waukesha Cherry-Burrell has been a leader in the design, manufacturing and application of external circumferential piston (ECP) style, rotary positive displacement pumps. Waukesha Cherry-Burrell PD pumps are in service around the world in food, dairy, canning, bakery, beverage and pharmaceutical processing, as well as difficult chemical and industrial applications.

Users of Waukesha Cherry-Burrell PD pumps benefit from decades of continuing product improvement. Steady advances in design, metallurgy and fabrication techniques have yielded progressively higher levels of performance and service life.

SPX FLOW, Inc. (NYSE:FLOW) is a leading manufacturer of innovative flow technologies, many of which help define the industry standard in the market segments they serve. From its headquarters in Charlotte, North Carolina, it operates a sales and support network, centers of manufacturing excellence, and advanced engineering facilities, throughout the world. Its cutting-edge flow components and process equipment portfolio includes a wide range of pumps, valves, heat exchangers, mixers, homogenizers, separators, filters, UHT, and drying technology that meet many application needs. Its expert engineering capability also makes it a premium supplier of customized solutions and complete, turn-key packages to meet the most exacting of installation demands.

Incorporating many leading brands, SPX FLOW has a long history of serving the food and beverage, power and energy, and industrial market sectors. Its designs and engineered solutions help customers drive efficiency and productivity, increase quality and reliability, and meet the latest regulatory demands. In-depth understanding of applications and processes, state-of-the-art Innovation Centers, and advanced pilot/testing technology further assist in optimizing processes and reducing timescales to reliably meet production targets.

To learn more about SPX FLOW capabilities, its latest technology innovations and complete service offerings, please visit www.spxflow.com.

New levels of performance. Reduced operational and maintenance costs.

PRODUCT FEATURES AND BENEFITS

- 316L stainless steel pump body and cover (standard).
- Exclusive, non-galling Waukesha "88" alloy rotors standard; permits running at tighter clearances and pumping a wide range of viscosities. 316L stainless steel rotors also available.
- Rotor/shaft connection sealed from product zone.
- Mechanical seals standard. Options include single, knife edge, low pressure flush, and high pressure barrier double seals.
- Up to 500 psi (34.5 bar) pressure capability.
- Rotor nut designed for extended service without loosening.
- No bearings in product zone.
- Larger diameter 17-4 PH shafts in seal area for greater strength and stiffness. Helps eliminate vibration; extends seal life. 316SS optional.
- Heavy duty cast iron bearing frame. (Stainless steel available as an option)
- Double tapered roller bearings on all models. Contribute further to precise rotor position and longer seal life.
- Grease lubed bearings for positive lubrication to all bearings over entire speed, temperature and pressure range.
- Body retaining screws for maintaining mechanical seal contact during inspection.
- Remanufacturing Program to extend life and reduce costs.
- Pumps filled with most settled slurries will start without damaging pumps or seals.
- Expanded fluid cavities can pump liquids with large solids without jamming or knocking rotors out of timing.
- Very low shear, product not damaged during pumping.
- No internal rotor contact.
- Requires less horsepower than Progressing Cavity Pumps
- Unique timing gear arrangement reduces troublesome maintenance issues as experienced on conventional lobe pumps
- No cross contamination of lubricating oil into product zone due to unique gear case design.
- Pumps are energy efficient, and easily cleaned, maintained, and repaired.

Typical product applications

Options

- Composite Diamond Coating (CDC) for abrasive service
- External over pressure valves for full flow relief.
- Bearing isolators.
- Tru-Fit® integral gear motor drives.

Installation Features

- Bi-directional flow. Rotors, locked with unique washers and torqued nuts, rotate securely in either direction.
- Interchangeable installation dimensions with Universal 1 and Universal Lobe PD Series pumps.
- Versatile 3-Way mounting of gear case, including vertical alignment of ports.
- Upper or lower drive shaft position.



Acids

Adhesives

Alkalies

Coatings

Emulsions

Glue

Ink

Lacquer

Latex

Oils & Lubricants

Paints

Polymers

Resins

Retention Aids

Sealants

Sludges

Slurries

Soaps

Solvents

Specialty Chemicals



Time-tested Waukesha Cherry-Burrell rotary pump; external circumferential piston (ECP) operating principle.

THEORY OF OPERATION

In the Waukesha Cherry-Burrell design, arc-shaped “pistons” (rotor wings) travel in annular-shaped cylinders machined in the pump body; the resulting long sealing path reduces slippage and produces a smooth flow of product without destructive pulses or pressure peaks and without valves or complex parts.

FOR LOW VISCOSITY FLUIDS

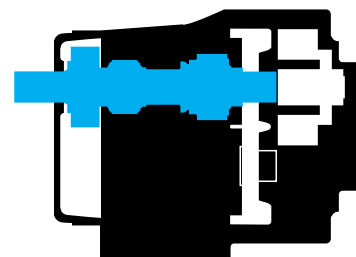
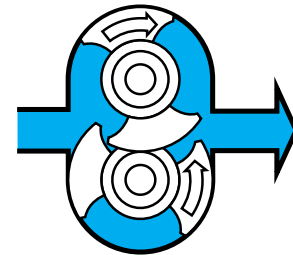
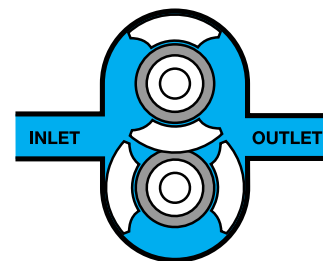
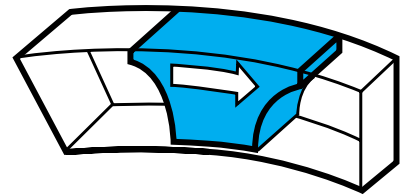
Rotors, made of exclusive Waukesha “88” alloy, can be run with close clearance to the 316 stainless steel fluid head, without galling or seizing should inadvertent pressure surges cause contact. The close clearances combined with the rotor geometry, which gives a long sealing path between the pump inlet and outlet, means low slip operation. As a result, you achieve: high volumetric efficiency and good flow control.

FOR HIGH VISCOSITY FLUIDS

The large fluid cavities of the rotors... plus the large, easy entry anti-cavitation ports... allow efficient pumping of high viscosity fluids, slurries or even liquids with large chunks or particles.

FOR NON-LUBRICATING AND ABRASIVE FLUIDS

The unique Waukesha Cherry-Burrell design has no bearings in the fluid being pumped, no sliding or rolling contact and no rotor-to-rotor contact. This produces MAXIMUM SERVICE LIFE even under severe operating conditions.



PRODUCT SPECIFICATIONS

MODEL	DISPLACEMENT PER REVOLUTION	NORMAL CAPACITY* TO	INLET/OUTLET	OPTIONAL INLET/OUTLET	PRESSURE RANGE UP TO	MAXIMUM RPM*	TEMP RANGE
006-U2	.0082 GAL. (.031 LITER)	8 GPM (1.8 m ³ /hr.)	1"	1½"	300 PSI (20.7 bar)	1000	(-)40F °C to 300 °F (149 °C)
015-U2	.0142 GAL. (.054 LITER)	11 GPM (2.5 m ³ /hr.)	1½"	-	250 PSI (17.2 bar)	800	
018-U2	.029 GAL. (.110 LITER)	20 GPM (4.5 m ³ /hr.)	1½"	2"	200 PSI (13.8 bar)	700	
030-U2	.060 GAL. (.227 LITER)	36 GPM (8.2 m ³ /hr.)	1½"	2"	250 PSI (17.2 bar)	600	
040-U2	.076 GAL. (.228 LITER)	46 GPM (10.4 m ³ /hr.)	2"	-	150 PSI (10.50 bar)	600	
045-U2	.098 GAL. (.371 LITER)	58 GPM (13.2 m ³ /hr.)	2"	-	450 PSI (31.0 bar)	600	
060-U2	.153 GAL. (.579 LITER)	90 GPM (20.4 m ³ /hr.)	2½"	3	300 PSI (20.7 bar)	600	
130-U2	.253 GAL. (.958 LITER)	150 GPM (34.1 m ³ /hr.)	3"	-	200 PSI (13.8 bar)	600	
180-U2	.380 GAL. (1.438 LITER)	230 GPM (52.2 m ³ /hr.)	3"	-	450 PSI (31.0 bar)	600	
210-U2	.502 GAL. (1.900 LITER)	300 GPM (68.1 m ³ /hr.)	4"	-	500 PSI (34.5 bar)	600	
220-U2	.521 GAL. (1.972 LITER)	310 GPM (70.4 m ³ /hr.)	4"	-	300 PSI (20.7 bar)	600	
320-U2	.752 GAL. (2.847 LITER)	450 GPM (102 m ³ /hr.)	6"	-	300 PSI (20.7 bar)	600	
370-U2	1.099 GAL. (4.160 LITER)	660 GPM (150 m ³ /hr.)	6"	-	200 PSI (13.8 bar)	600	

* For capacities above 450 to 830 GPM, see bulletin FH-1725 on 420/520 UHC (ECP Rotors)
Consult Waukesha Cherry-Burrell technical services for recommendations on your pumping requirements.

Drive Option

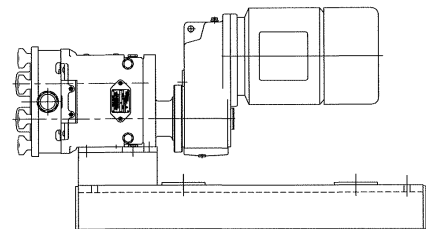
Close coupled Tru-Fit® pump mounted on epoxy-painted base.

Features:

- No shaft alignment necessary. No coupling guard required.
- Reduces overall length of complete unit by an average of 20-25%.
- Average of 20-25 gear ratios available per horsepower.
- Separate oil sump for gear reducer and timing gears.

Options:

- NEMA or IEC frame motors available. Right angle reducer also available for additional space savings.
- 1/2 through 60 horsepower drive options available.
- Horizontal or vertical porting.



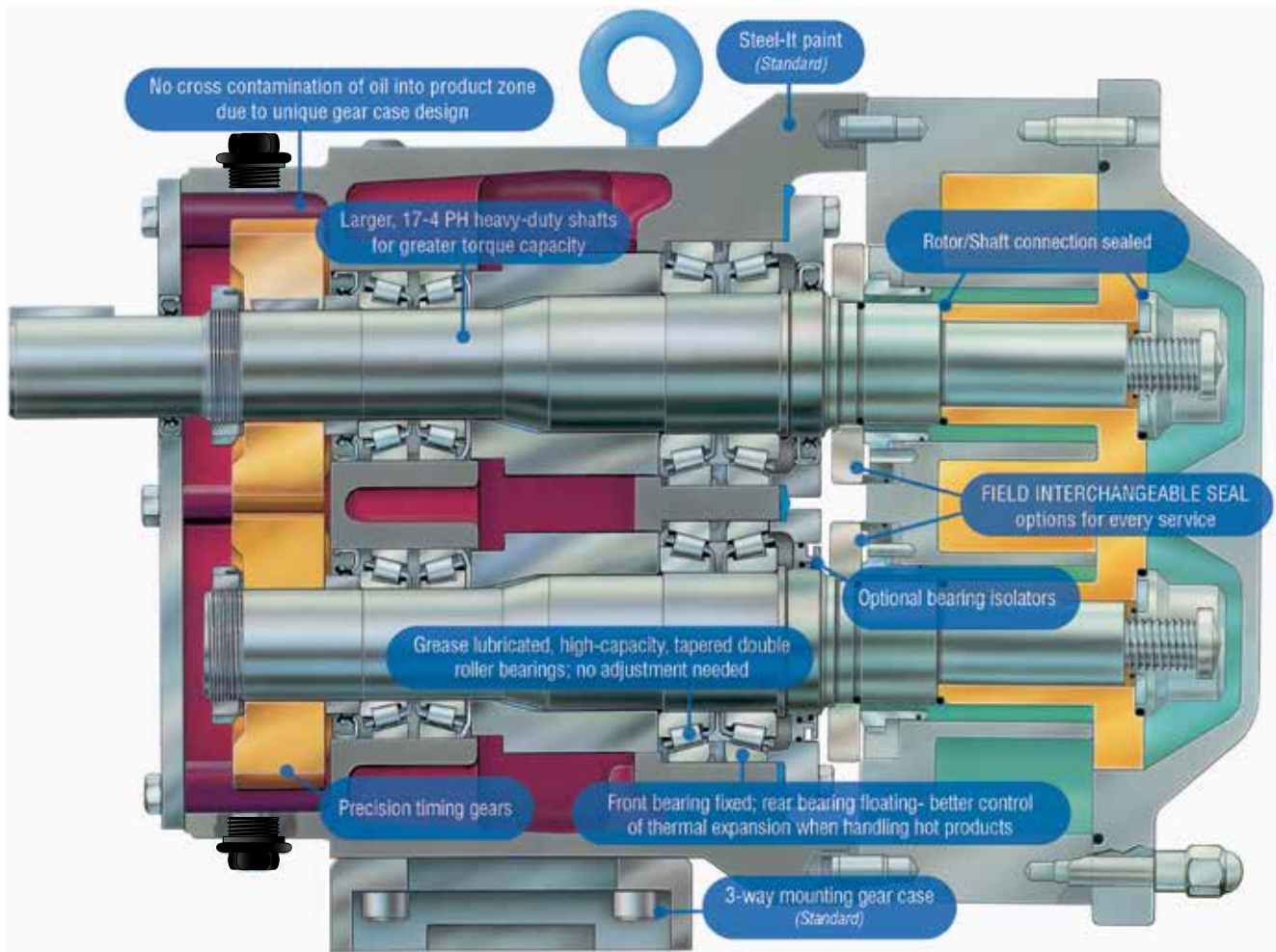
Performance and long life through engineering.

The Waukesha Cherry-Burrell Universal 2 gives you . . .

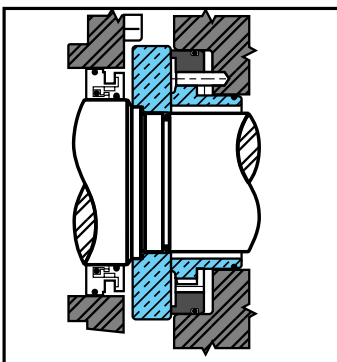
High pressure capability, up to 500 psi/34.5 bar, for more demanding jobs.

Metal rotor: Waukesha "88" non-galling alloy, for close running clearance.

The right seal for every application, plus interchangeability when needed.

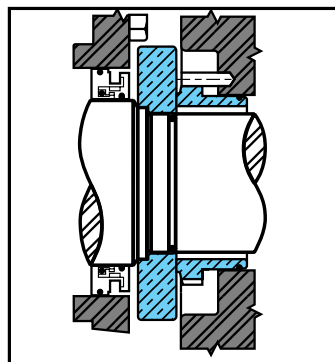


SEAL OPTIONS



Double Concentric Mechanical Seal*

Used with flushing fluid to cool, lubricate, flush away residue. Best arrangement for severe service. Low pressure and high pressure flush double seals available.



Single Mechanical Seal*

Carbon-to-ceramic faces standard. Alternate materials available for abrasive service. Standard and knife edge internal seal faces available.

Elastomers choices for “O” rings:

- Buna-N
- Fluoroelastomer (FKM)
- EPDM
- Silicone
- Perfluoroelastomer (FFKM)
- PTFE Encapsulated

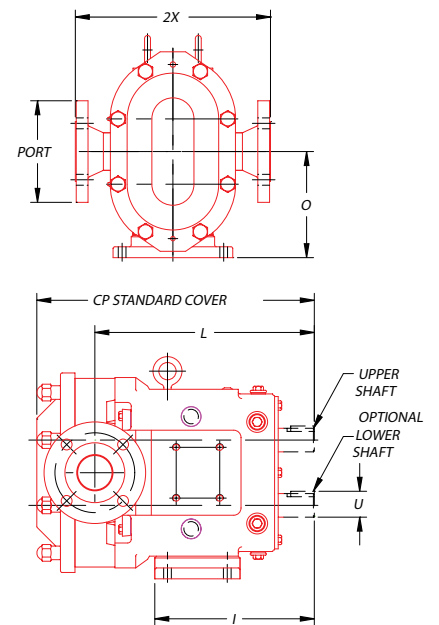
Mechanical seal material options:

- Carbon
- Ceramic
- Silicon Carbide
- Tungsten Carbide



DIMENSIONAL DATA

PUMP MODEL		CP	I	L	O	PORT SIZE	U +.000 -.001	150# FLG CONNECTION
006-U2	IN	11.71	7.66	9.61	4.21	1"	.875	8.33
	MM	297	194	244	107	----	22.23	216
015-U2	IN	11.71	7.66	9.61	4.21	1½"	.875	8.33
	MM	297	194	244	107	----	22.23	216
018-U2	IN	12.37	7.66	10.48	4.21	1½"	.875	8.33
	MM	314	194	266	107	----	22.23	216
030-U2	IN	14.49	8.83	11.61	5.21	1½"	1.250	9.74
	MM	368	224	295	132	----	31.75	247
040-U2	IN	14.87	8.83	11.77	5.21	2"	1.25	9.74
	MM	378	224	305	132	----	31.75	247
045-U2	IN	18.59	10.99	14.86	7.31	2"	1.625	13.58
	MM	472	279	377	186	----	41.28	344
060-U2	IN	19.14	10.99	15.14	7.31	2½"	1.625	13.58
	MM	486	279	385	186	----	41.28	344
130-U2	IN	20.15	10.99	15.77	7.31	3"	1.625	13.58
	MM	512	279	401	186	----	41.28	344
180-U2	IN	23.26	14.80	18.25	9.38	3"	2.000	15.76
	MM	591	376	464	238	----	50.80	400
210-U2	IN	27.08	17.80	21.24	10.38	4"	2.375	15.76
	MM	688	452	539	264	----	60.45	400
220-U2	IN	24.00	14.80	18.49	9.38	4"	2.000	15.76
	MM	610	376	470	238	----	50.80	400
320-U2	IN	27.66	17.80	21.63	10.38	6 150# FLG	2.375	16.00
	MM	703	452	549	264	----	60.45	406
370-U2	IN	29.16	17.80	22.32	10.38	6" 150# FLG	2.38	17.00
	MM	741	452	567	264	---	60.5	432



Universal II Industrial Series

ROTARY POSITIVE
DISPLACEMENT ECP PUMPS

SPXFLOW

Based in Charlotte, North Carolina, SPX FLOW, Inc. (NYSE: FLOW) is a multi-industry manufacturing leader. For more information, please visit www.spxflow.com

SPX FLOW

611 Sugar Creek Road

Delavan, WI 53115

P: (262) 728-1900 or (800) 252-5200

E: wcb@spxflow.com

SPX FLOW, Inc. reserves the right to incorporate our latest design and material changes without notice or obligation.

Design features, materials of construction and dimensional data, as described in this bulletin, are provided for your information only and should not be relied upon unless confirmed in writing. Please contact your local sales representative for product availability in your region. For more information visit www.spxflow.com.

The green "y" and "x" are trademarks of SPX FLOW, Inc.

ISSUED 12/2017 FH-1750

COPYRIGHT © 2017 SPX FLOW, Inc.