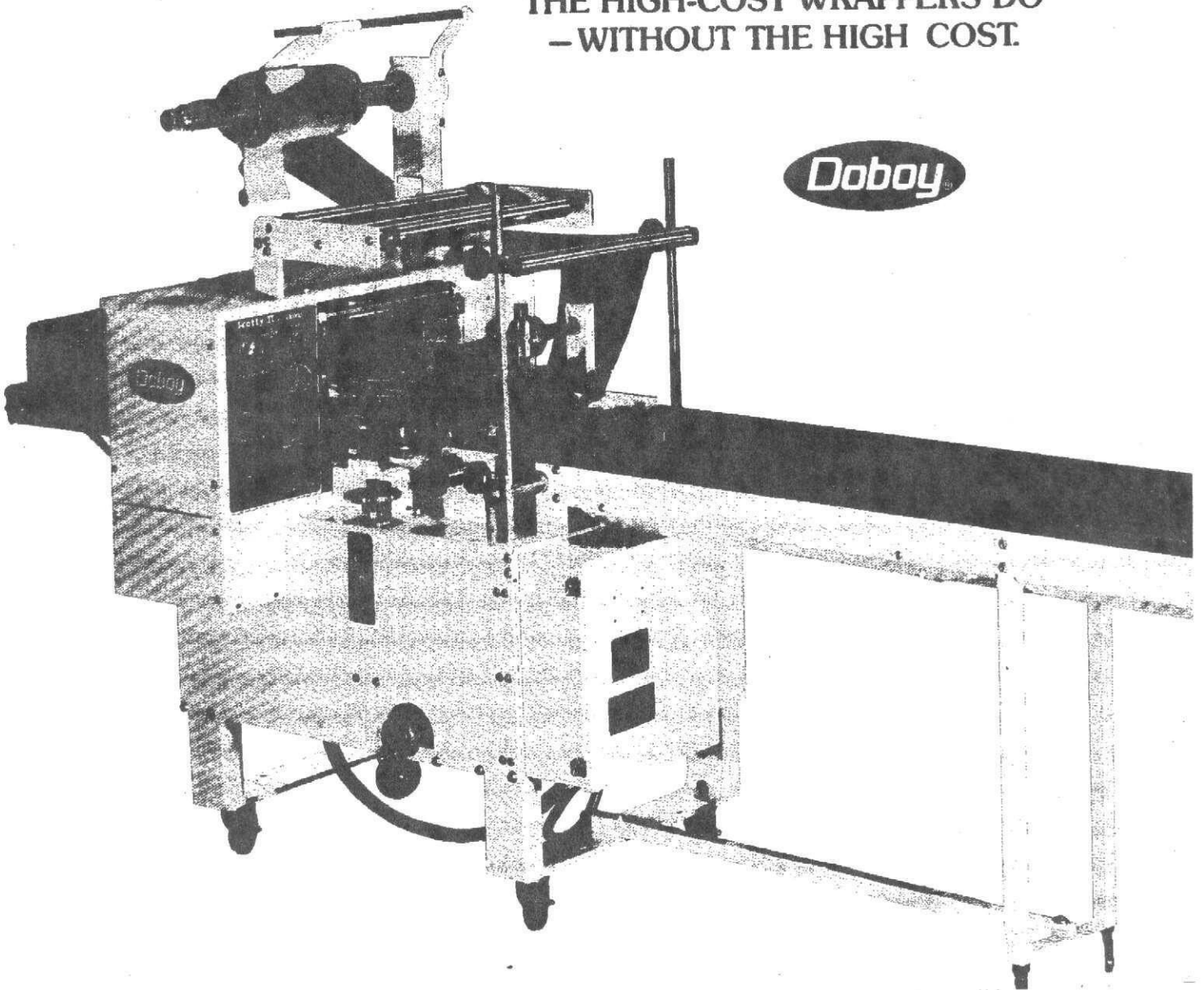


# Scotty II

HORIZONTAL WRAPPER

AN EASY-TO-OPERATE WRAPPER  
THAT CAN DO MANY OF THE JOBS  
THE HIGH-COST WRAPPERS DO  
— WITHOUT THE HIGH COST.

**Doboy**



# Wraps and seals continuously up to 60 packages per minute

ind  
ind  
am.  
ted  
ms.

## former

ie film completely  
roducts forming a  
le of stainless steel  
inum;  
istom-designed for  
duct changeover.

## Five-foot stainless steel infeed

Standard 5-foot infeed is ideal for hand-feeding applications. All parts in contact with product are stainless steel.

The Scotty II is one of the most economically priced horizontal wrappers on the market today, yet many of its features are the same as those found on higher-priced machines. Low initial investment and low maintenance design make the Scotty II economical to own and operate.

Like all Dobby horizontal wrappers, the Scotty II operates in smooth continuous motion to produce packages with a longitudinal fin seal and extended end crimp seals. The resulting package seals in freshness and flavor and offers low-cost protective packaging for easy handling.

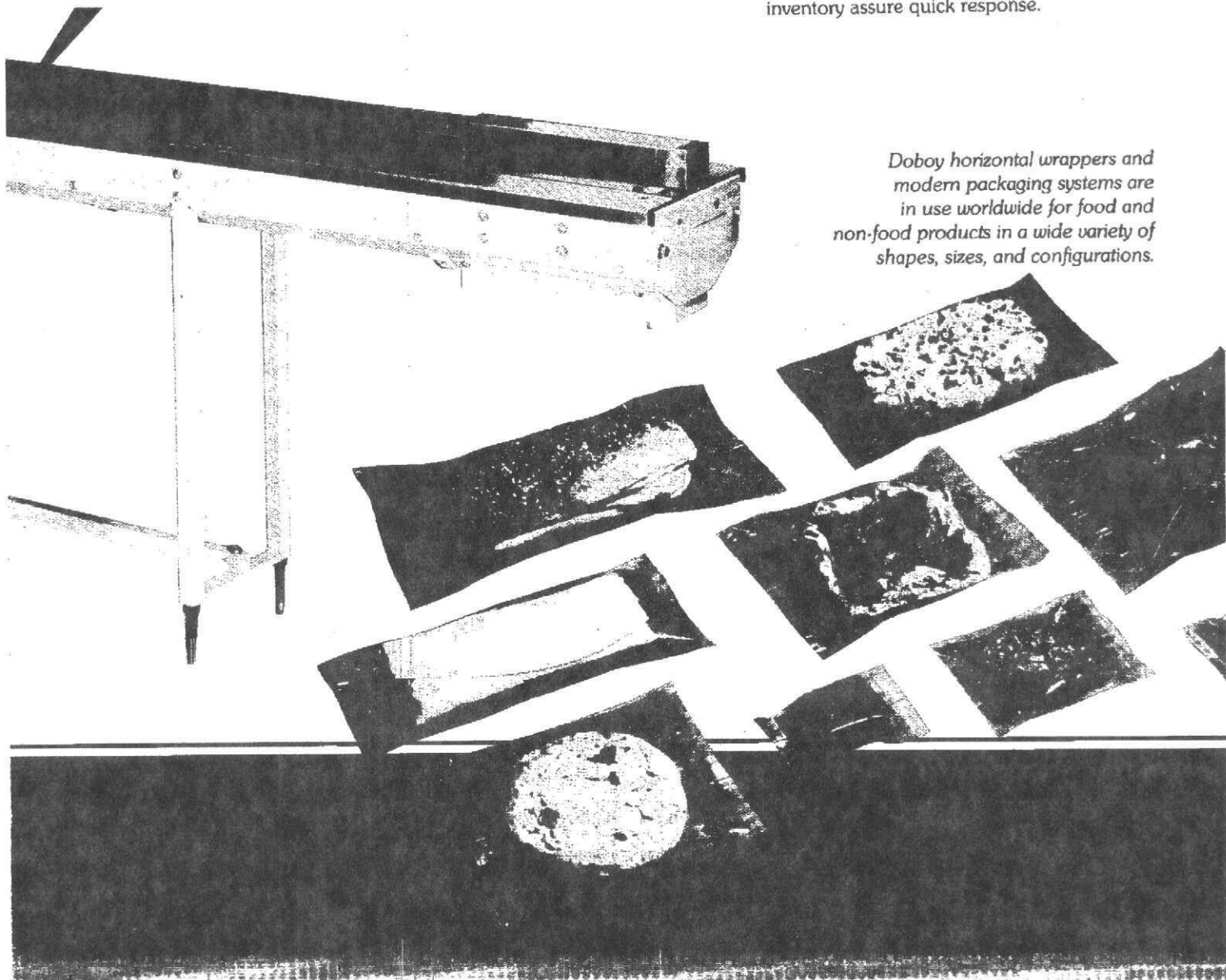
The Scotty II is ideally suited to the baking, confection, vending, and snack industries, but its flexibility suits it well for pharmaceutical, grocery, and other low-speed specialty packaging applications as well.

The versatile Scotty II wraps singles, multiples and trays in a wide range of shapes and sizes, at speeds up to 60 packages per minute. Precision heat controls allow most heat-sealable films to be used, and easy changeover between products takes only minutes.

Operation is simple, too. Handwheels provide stepless adjustment for speed and package length. Once the machine is started, and heated to sealing temperature, products are hand-fed directly into the infeed flights. The rest is automatic. Sealed and separated packages move to the powered discharge conveyor, ready to pack into shipping containers.

Sturdy construction and quality components throughout ensure reliability and minimize maintenance. And, when parts are needed, Dobby's customer service and huge parts inventory assure quick response.

*Dobby horizontal wrappers and modern packaging systems are in use worldwide for food and non-food products in a wide variety of shapes, sizes, and configurations.*



# High level performance at Lost cost investment

★ Rigid parent roll backs  
Utilizes tensioning arm  
self-compensating drag brake sys  
Electric eye can be mou  
for registered t

★ Pause control  
Adjusts the length of sealing  
dwell time, enabling the  
rotary cutting heads to match  
both film characteristics and  
machine speed.

★ Packag  
Guides  
around  
tube. Ma  
and alu  
each is  
quick pi

★ Rotary cutting head  
A knife-and-anvil style rotary-  
action cutoff is used to seal  
and separate individual  
packages from the film tube.

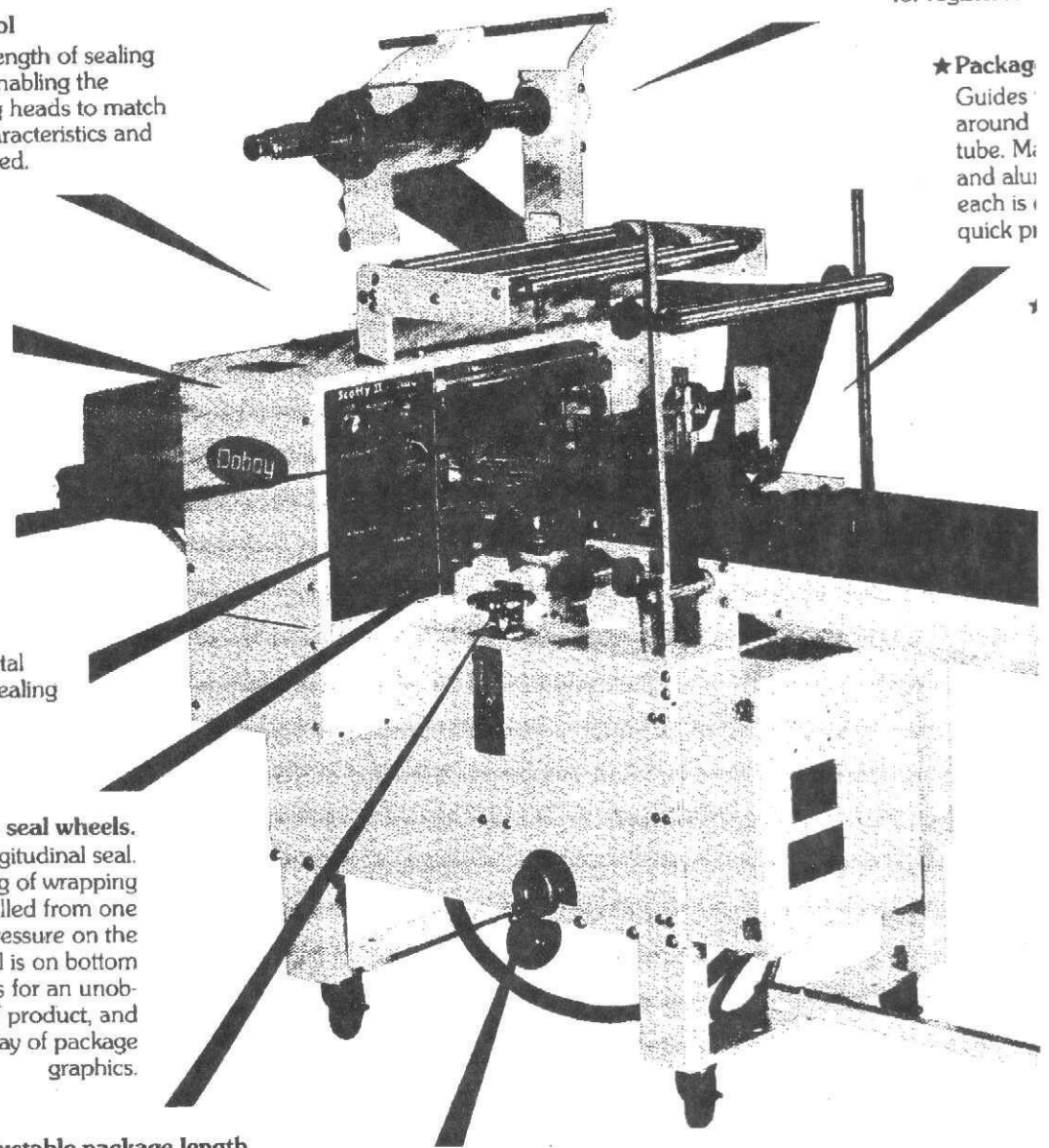
★ Control panel  
Main power and start buttons,  
heat controls, and optional  
electric eye controls are all  
conveniently located.

★ Precise heat controls  
Temperature controls with digital  
indicators provide consistent sealing  
regardless of speed or voltage  
fluctuations.

★ Fin seal wheels.  
Assures positive longitudinal seal.  
Feeding and tracking of wrapping  
material is controlled from one  
point, putting no pressure on the  
product. Seal is on bottom  
of package — allows for an unob-  
structed view of product, and  
uninterrupted display of package  
graphics.

★ Adjustable package length  
Handwheel adjusts package length  
from 4-12" or 5-15"

★ Variable speed  
Handwheel adjustment gives the  
operator stepless speed adjustment  
from 20 to 60 packages per minute.



# Scotty II

HORIZONTAL WRAPPER

# Scotty II

HORIZONTAL WRAPPER

## PACKAGE SIZE RANGE

Length — 4" to 15" (102mm to 381mm)

Width — 1" to 5½" (25mm to 140mm)

Height — ½" to 2¾" (2mm to 70mm)

Web Width — up to 20" (406mm)

Products outside these limits may be packaged with machine modifications.

## CONSTRUCTION

Strong steel frame with castings in critical stress areas. Infeed conveyor is stainless steel and meets rigid sanitary requirements.

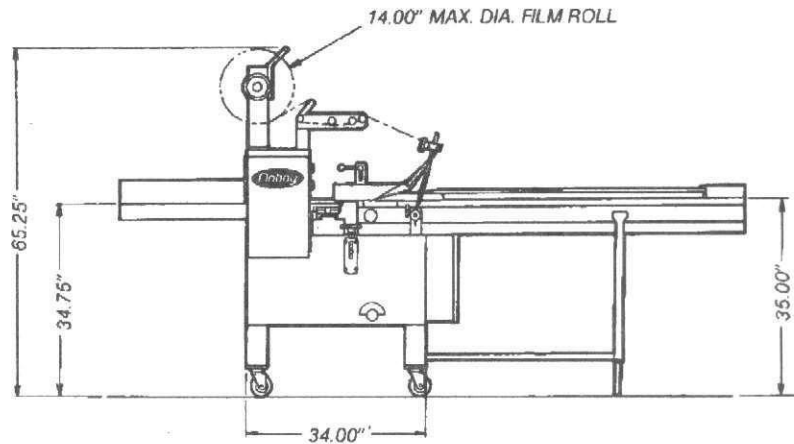
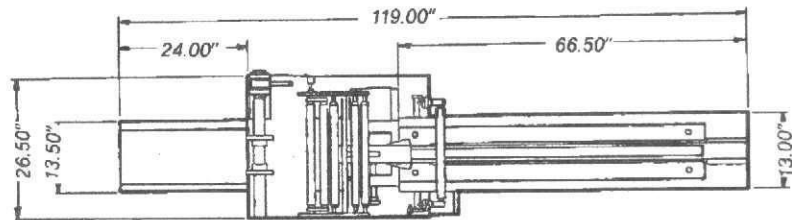
## WEIGHT

Approximately 800 pounds (363 kg)

## ELECTRICAL

240 volts, 60 cycle, single-phase;  
15 amps; ½ hp drive motor.

All wiring is done in the Doboy plant to meet National Electric Code and Joint Industrial Council standards.



## GENUINE DOBOY PARTS AND SERVICE

Doboy manufactures, sells and services a full line of packaging machinery, including cartoners, overwrappers, horizontal wrappers, shrink bundling equipment, and a full range of bag closers. Continuous product improvement and a commitment to service after the sale has earned Doboy an enviable reputation of quality and reliability.

Doboy parts and service capabilities have contributed greatly to this reputation. Over 30,000 genuine Doboy parts are on hand at all times for immediate delivery. Trained and experienced customer service representatives use a computerized inventory control system for quick response to customer needs. Field service is handled by a team of factory-trained technicians, available nationwide for installations, in-plant repairs, and maintenance.

Genuine Doboy parts and factory authorized service help keep your equipment running smooth and efficient. Remember — nobody stocks more genuine replacement parts or offers the Doboy warranty like Doboy.

For more information on any Doboy machinery, or for the name of your nearest Doboy sales and service representative, call or write:

DOBOY PACKAGING MACHINERY INC.  
869 South Knowles Avenue  
New Richmond, WI 54017-1797  
Ph. 715-246-6511 (Telex 290475) FAX: 715-246-6539



PARTNERS IN THE WORLD OF CREATIVE PACKAGING — SINCE 1939

© Doboy Packaging Machinery Inc. 1987  
SCP 3M 087-R1088 Printed in U.S.A.

