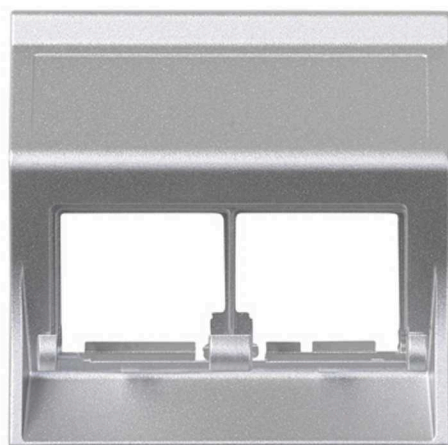


**Angled voice and data plate without dust cover 1 element
for 2 RJ45 aluminium Simon 500 Cima**

REF. 50000186-033



BASIC INFORMATION

DESCRIPTION

With measures lamps, 50 x 50 millimetres and 21 millimetres of depth, we find this voice and data plate of the Simon 500 Cima. This plate without dust shutter, is inclined and is designed with an element to support two RJ45 connectors, with an aluminium finish, is committed to a modern design and very versatile. Belongs to the individual version of a single module. The plate includes the necessary for fastening clips on horizontal or vertical. It is designed in thermoplastic material, insulation, to protect the environment of the flame spread in case of fire management, in case you will reach temperatures are compatible with the product. The material of manufacture is not poison. The Simon 500 Cima series supports very variable temperature ranges, ranging from -5 degrees centigrade up to + 60 degrees centigrade. Its maintenance is very simple, as you just need to use a dry cloth to clean it.

FINISH

Aluminium

PACKAGING CONTENTS

Angled voice and data plate
without dust cover

ETIM CLASS

EC000018

COMPATIBILITY

Simon 500 Cima enclosures

REMARKS

The plate is snap-fitted for mounting in vertical and horizontal enclosures without the need for an adaptor.

TECHNICAL INFORMATION

AVAILABLE MARKET

CE

FORMAT

RJ45

NUMBER OF MODULES

1

AVAILABLE IN

Plate for 1 and 2 RJ45

IP RATING

IP20

PLATE TYPE

Angled

RJ45 CONNECTORS

Not included in voice and data plate

KIT AVAILABILITY

No

RJ45 ADAPTOR MODULE

Not included in voice and data plate

MAX TEMP DURING CONSTRUCTION WORK (°C)

+60 °C

MAINTENANCE

Clean with a soft, dry cloth. Do not use abrasive cloths or cleaning products that contain chlorine.

SNAP-FIT RJ45 PLATES

Corresponding to combined MD module

DUST PROTECTION

No

TEMPERATURE RANGE DURING INSTALLATION (°C)

-5 to 60 °C

SNAP-FIT TYPE

Corresponding to combined MD module

DUST SHUTTER

No

VERSION

Single

INSTALLATION AND MAINTENANCE

INSTALLABLE IN FLUSH MOUNT JUNCTION BOX

Specific Simon 500 Cima

INSTALLATION DIRECTION

Vertical, corresponding with the direction of the mechanisms

INSTALLATION TYPE

Fixing by direct snap-fit, no tools needed.

REMOVAL OF THE PLATE

Only with tool

REGULATIONS

REGULATIONS

Directive 2011/65/UE RoHS + post. mod. | EN IEC 63000:2018 | EN 50173-1:2018*1

LOGISTICS INFORMATION

UNITARY PACKAGING HEIGHT 0	UNITARY PACKAGING WEIGHT UNIT KGM	PACKAGING MEASUREMENT UNIT MMT
UNITARY PACKAGING WIDTH 0	PACKAGING EAN 8421053095140	PACKAGING VOLUME 1.472
UNITARY PACKAGING LENGTH 0	UNITS CONTAINED PACKAGING 20	PACKAGING VOLUME UNIT DMQ
UNITARY PACKAGING VOLUME 0	PACKAGING HEIGHT 88	PACKAGING GROSS WEIGHT 0
UNITARY PACKAGING GROSS WEIGHT 0.012	PACKAGING WIDTH 123	PACKAGING NET WEIGHT 0.24
PRODUCT NET WEIGHT 0.012	PACKAGING LENGTH 136	PACKAGING WEIGHT UNIT KGM

