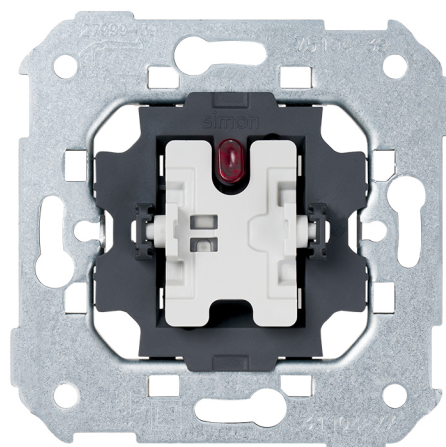


Single-pole switch 10AX 250V~ with built-in light and fast terminal connection system

REF. 75104-39



BASIC INFORMATION

DESCRIPTION

Single-pole switch with built in LED system and quick terminal connection of the Simon 75 series. The Simon 75 series is perfect if you are looking for multiple colour combinations and is compatible with the mechanisms of the Simon 77 series, which allows cables to be connected without the need for stripping, braiding or using additional tools to place them, thus reducing installation time. It has a rocker operation, with an intensity of 10A and a voltage of 250V. This switch is suitable both for surface and flush mounting and fully can be combined with the reference 31802-31 in case you have to replace the indicator light. It supports a cable section of 1.5 to 2.5 mm and the stripping of 11 mm and can be installed in places with a temperature of between 5 and 40°C, approximately. It is made of metal components with halogen-free thermoplastic insulation and in its manufacture are the rules followed UNE-EN 60669-1: 2002 + A1: 2003 + A2: 2009.

COMPATIBILITY

Simon 75, Simon 82 Detail, Simon 82 Nature, Simon 82 and Simon 88 frames

PACKAGING CONTENTS

Mechanism

ETIM CLASS

EC001590

REMARKS

Can be combined with article 31802-31 if replacing the light indicator.

TECHNICAL INFORMATION

AVAILABLE MARKET

CE

INDICATOR FUNCTION

Yes

OPERATING TEMPERATURE

RANGE (°C)

5 - 40 °C

CABLE SECTION ADMITTED (MM)

From 1,5 to 2,5 mm

CURRENT (A)

10 AX

STORAGE TEMPERATURE RANGE

(°C)

-25 - 50 °C

CONSUMPTION INDICATOR (mA)

1 mA

IP RATING

IP20

VERSION

Single

NUMBER OF POSSIBLE ELEMENTS

1 element

TYPE OF MECHANISM

Pivoting

VOLTAGE (V~)

250 V~

INSTALLATION AND MAINTENANCE

CABLE STRIPPING NECESSARY (MM)

11

INSTALLABLE IN FLUSH MOUNT JUNCTION BOX

Universal

TYPE OF TERMINAL CONNECTION - FUNCTION 1

Fast

CLAW

Simon 27

INSTALLATION TYPE

Suitable for surface and flush mounting

REGULATIONS

REGULATIONS

Dir. 2014/35/UE LVD | Dir. 2011/65/UE RoHS + post. mod. | EN 60669-1:2018 | EN IEC 63000:2018

LOGISTICS INFORMATION

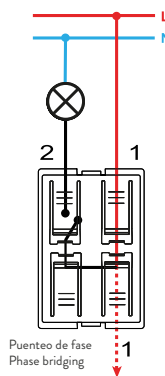
UNITARY EAN CODE 8421053255759	UNITARY PACKAGING GROSS WEIGHT 0.06	PACKAGING LENGTH 221
UNITARY PACKAGING HEIGHT 0	PRODUCT NET WEIGHT 0.06	PACKAGING MEASUREMENT UNIT MMT
UNITARY PACKAGING WIDTH 0	UNITARY PACKAGING WEIGHT UNIT KGM	PACKAGING VOLUME 3026595
UNITARY PACKAGING LENGTH 0	PACKAGING EAN 8421053003534	PACKAGING VOLUME UNIT MMQ
UNITARY PACKAGING MEASUREMENT UNIT MMT	UNITS CONTAINED PACKAGING 10	PACKAGING GROSS WEIGHT 0.595
UNITARY PACKAGING VOLUME 0	PACKAGING HEIGHT 83	PACKAGING NET WEIGHT 0.6
UNITARY PACKAGING VOLUME UNIT MMQ	PACKAGING WIDTH 165	PACKAGING WEIGHT UNIT KGM

MECANISMOS SIMON 31, 75, 77, 82 Y 88

Mecanismos básicos / Basic switches



Interrupor unipolar / Single-pole switch
XXXX101-XXX



Interrupor unipolar / Single-pole switch
7700101-039



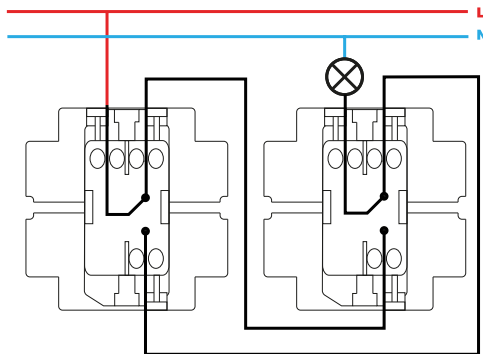
Pulsador / Push button switch
XXXX150-XXX



Pulsador / Push button switch
7700150-039



Interrupor bipolar / Double pole switch
XXXX133-XXX



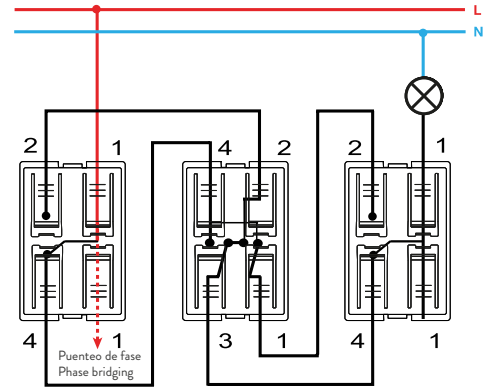
Conmutador / 2-way switch
XXXX201-XXX



Conmutador / 2-way switch
7700201-039



Conmutador cruce / Intermediate switch
XXXX251-XXX



Conmutador cruce / Intermediate switch
7700251-039



Grupo 2 interruptores / 2 switches group
XXXX398-XXX



Pulsador desconexión / Push button disconnection switch
XXXX152-XXX



Grupo dos conmutadores / 2-way switches group
XXXX397-XXX



Grupo de pulsadores desconexión / Push button disconnection group
XXXX395-XXX



Grupo conmutador y pulsador / 2-way and push button switch group
XXXX301-XXX



Interruptor unipolar / Single-pole switch
XXXX102-XXX



Interruptor con piloto / Push button pilot switch
7700112-039



Interruptor bipolar / Double pole switch
XXXX134-XXX



Conmutador / 2-way switch
XXXX202-XXX



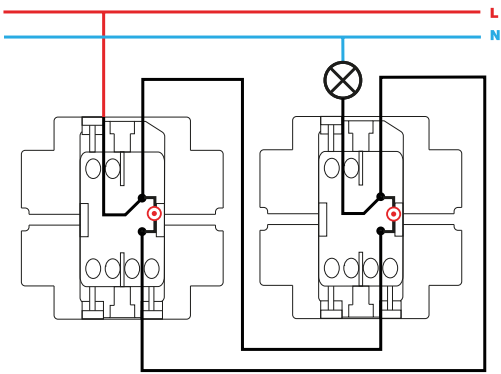
Interrupor unipolar con luminoso / Single-pole switch with light
XXXX104-XXX



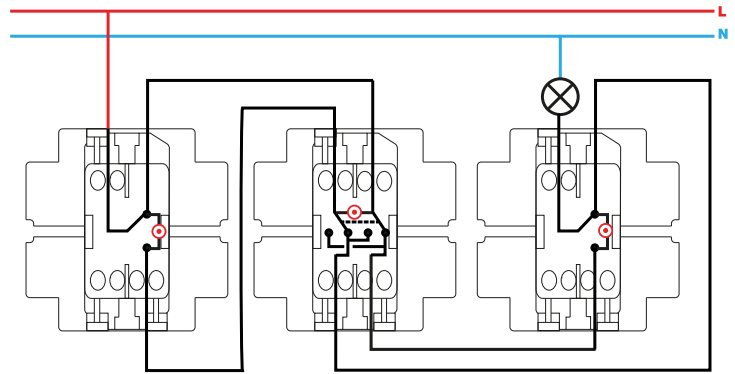
Pulsador con luminoso / Push button switch with light
XXXX160-XXX



Pulsador con luminoso / Push button switch with light
7700160-039



Conmutador con luminoso / 2-way switch with light
XXXX204-XXX



Conmutador cruce con luminoso / Intermediate switch with light
XXXX254-XXX