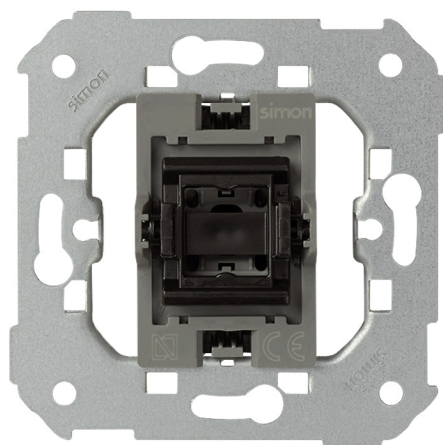


Push-button switch 10A 250V~ with 1click® terminal connection system

REF. 7700150-039



BASIC INFORMATION

DESCRIPTION

This control mechanism is part of the Simon 77 range. This is a push-button switch that operates with a current of up to 10A and 250 volts and stands out for its simple quick terminal connection by cut. The operation of the push-button switch is very user-friendly and interactive for the user as it is a rocker. As the majority of Simon products, it is a very versatile push-button switch because it offers the possibility of implementing the signaling function by means of a signaling support and rocker with viewer, mechanisms also available in the range of Simon products. The installation of this product is very simple and offers the possibility to implement them directly in surface-mounted or recessed, according to your taste and needs. The metal components that are also made of halogen-free halogen-free and the trims, they are thermoplastic. All this gives an extra hardness and resistance to the final product and stretch its service life.

MATERIAL

Thermoplastic

COMPATIBILITY

Simon 75, Simon 82 Detail,
Simon 82 Nature, Simon 82 and
Simon 88 frames

PACKAGING CONTENTS

Mechanism and instructions

ETIM CLASS

EC000029

REMARKS

Possibility of implementing signalling function using cradle blinking and rocker with viewer.

TECHNICAL INFORMATION

AVAILABLE MARKET

CE

CURRENT (A)

10 A

STORAGE TEMPERATURE RANGE

(°C)

-25 - 50 °C

CABLE SECTION ADMITTED (MM)

From 1,5 to 2,5 mm

TYPE OF MECHANISM

Pivoting

VERSION

Single

NUMBER OF POSSIBLE ELEMENTS

1 element

OPERATING TEMPERATURE RANGE (°C)

5 - 40 °C

VOLTAGE (V~)

250 V~

INDICATOR FUNCTION

No

INSTALLATION AND MAINTENANCE

CLAW

Simon 27

INSTALLABLE IN FLUSH MOUNT JUNCTION BOX

Universal

INSTALLATION TYPE

Suitable for surface and flush
mounting

TYPE OF TERMINAL

CONNECTION - FUNCTION 1

1 click connection (1 click®)

REGULATIONS

REGULATIONS

Directive 2014/35/UE LVD + Directive 2011/65/UE RoHS + EN 50581:2012 + EN 60669-1:1999 + EN 60669-1:1999 A1:2002 + EN 60669-1:1999 A2:2008 + EN 60998-2-3:2004

LOGISTICS INFORMATION

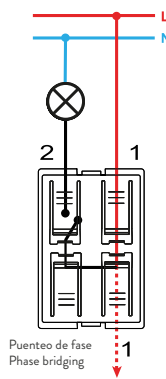
UNITARY EAN CODE 8421053256466	UNITARY PACKAGING GROSS WEIGHT 0.061	PACKAGING LENGTH 223
UNITARY PACKAGING HEIGHT 0	PRODUCT NET WEIGHT 0.061	PACKAGING MEASUREMENT UNIT MMT
UNITARY PACKAGING WIDTH 0	UNITARY PACKAGING WEIGHT UNIT KGM	PACKAGING VOLUME 3.027
UNITARY PACKAGING LENGTH 0	PACKAGING EAN 8421053075821	PACKAGING VOLUME UNIT DMQ
UNITARY PACKAGING MEASUREMENT UNIT MMT	UNITS CONTAINED PACKAGING 10	PACKAGING GROSS WEIGHT 0.61
UNITARY PACKAGING VOLUME 0	PACKAGING HEIGHT 82	PACKAGING NET WEIGHT 0.61
UNITARY PACKAGING VOLUME UNIT MMQ	PACKAGING WIDTH 165	PACKAGING WEIGHT UNIT KGM

MECANISMOS SIMON 31, 75, 77, 82 Y 88

Mecanismos básicos / Basic switches



Interruptor unipolar / Single-pole switch
XXXX101-XXX



Interruptor unipolar / Single-pole switch
7700101-039



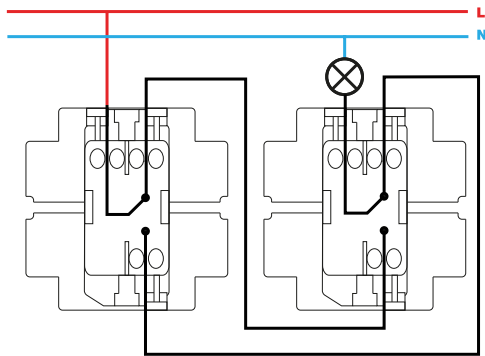
Pulsador / Push button switch
XXXX150-XXX



Pulsador / Push button switch
7700150-039



Interruptor bipolar / Double pole switch
XXXX133-XXX



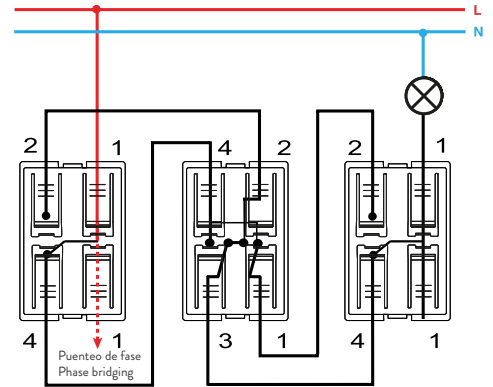
Conmutador / 2-way switch
XXXX201-XXX



Conmutador / 2-way switch
7700201-039



Conmutador cruce / Intermediate switch
XXXX251-XXX



Conmutador cruce / Intermediate switch
7700251-039



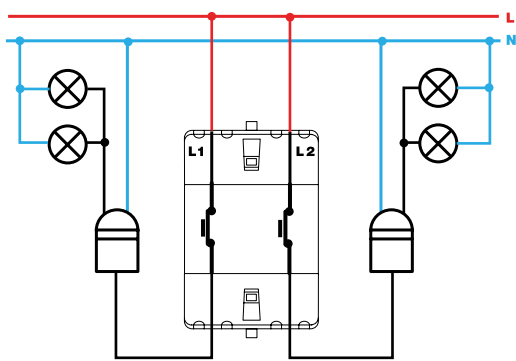
Grupo 2 interruptores / 2 switches group
XXXX398-XXX



Pulsador desconexión / Push button disconnection switch
XXXX152-XXX



Grupo dos conmutadores / 2-way switches group
XXXX397-XXX



Grupo de pulsadores desconexión / Push button switch disconnection group
XXXX395-XXX



Grupo conmutador y pulsador / 2-way and push button switch group
XXXX301-XXX



Interruptor unipolar / Single-pole switch
XXXX102-XXX



Interruptor con piloto / Push button pilot switch
7700112-039



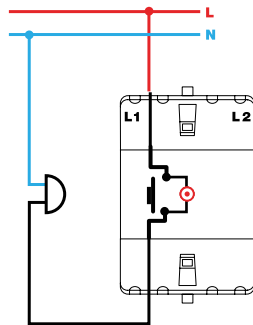
Interruptor bipolar / Double pole switch
XXXX134-XXX



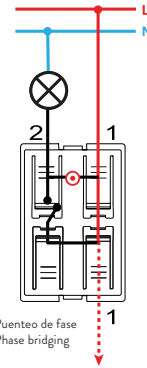
Conmutador / 2-way switch
XXXX202-XXX



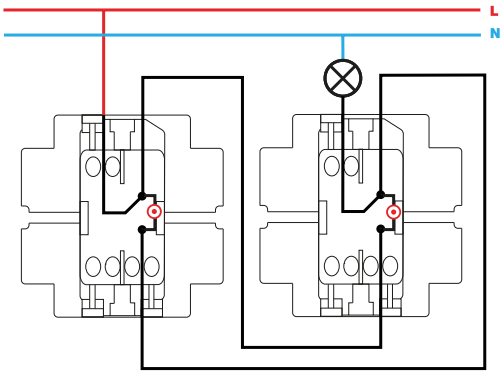
Interrupor unipolar con luminoso / Single-pole switch with light
XXXX104-XXX



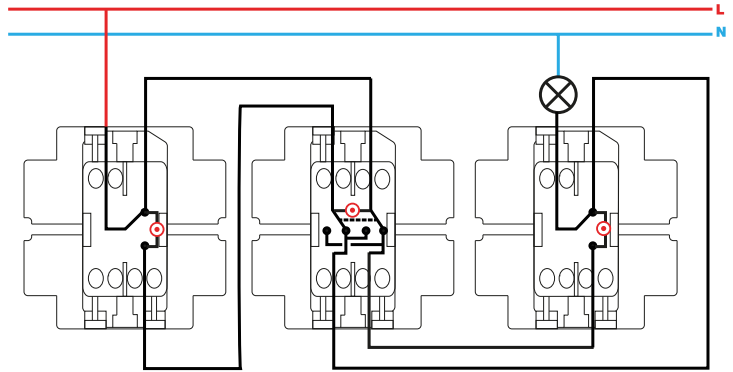
Pulsador con luminoso / Push button switch with light
XXXX160-XXX



Pulsador con luminoso / Push button switch with light
7700160-039



Conmutador con luminoso / 2-way switch with light
XXXX204-XXX



Conmutador cruce con luminoso / Intermediate switch with light
XXXX254-XXX