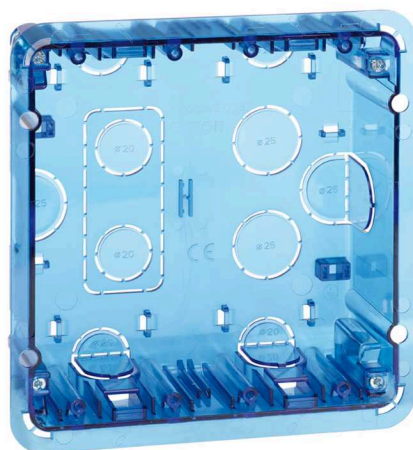


## Flush-mount wall box for 2 double elements Simon 500 Cima

REF. 51020102-039



### BASIC INFORMATION

#### MATERIAL

Plastic

#### COMPATIBILITY

Simon 500 Cima and Simon 27 Play/Simon K45 mechanisms using a specific adaptor

#### PACKAGING CONTENTS

Flush-mount wall box, protective cover for box and film for covering the pre-punched items on the box

#### ETIM CLASS

EC002601

#### REMARKS

The flush-mount box can be used as a template during installation thanks to the guides for marking the perimeter of the box

## TECHNICAL INFORMATION

### AVAILABLE MARKET CE

### AVAILABLE IN

1, 2, 3, 4 and 6 double elements

### NUMBER OF CLAMP-HOLDER HOLES

10

### DIELECTRIC STRENGTH

No holes or contours, with 2000V at 50 Hz for 1 minute

### MAX TEMP DURING CONSTRUCTION WORK (°C)

+90 °C

### ELECTROMAGNETIC IMMUNITY FOR VDM WIRING

Secured by installing the metal partition wall in the housing fitted into the box for this purpose.

### NUMBER OF ENCLOSURES FOR GROUND CONNECTION

2

### HEAT RESISTANCE (°C)

+125°C (according rule IEC 60695-10-2)

### IK CLASSIFICATION

07

### INSULATION RESISTANCE (V-MΩ)

>5MΩ at 500V

### IP RATING

IP4X

### KIT AVAILABILITY

No

### MAINTENANCE

Clean with a soft, dry cloth. Do not use abrasive cloths or cleaning products that contain chlorine.

### TEMPERATURE RANGE DURING INSTALLATION (°C)

-5 to 60 °C

### NUMBER OF MODULES

4

### NUMBER OF PRE-PUNCHED HOLES 30 X 70 MM

1

### RECESS DIMENSION (MM)

141 x 135 mm

### NUMBER OF SIDE ENTRANCES

2

### VERSION

2 double elements

## INSTALLATION AND MAINTENANCE

### CLAW RANGE OF OPERATION (MM)

Between 4 and 30 mm

### REMOVAL OF COMPONENTS

Only with tool

### EXTINGUISHING (°C)

+850 °C / 30 seconds (GWFI in accordance with standard IEC 60695-2-11)

### TYPE OF FASTENING

Using the claws included in the enclosure, in combination with aggregates, binders, additives, etc.

### INSTALLATION DIRECTION

Vertical, corresponding with the direction of the mechanisms

### INSTALLATION TYPE

Suitable for flush mounting on the wall

## REGULATIONS

### REGULATIONS

Directive 2014/35/UE LVD + EN 60670-1:2005

## LOGISTICS INFORMATION

### UNITARY EAN CODE

8421053091869

### UNITARY PACKAGING HEIGHT

0

### UNITARY PACKAGING WIDTH

0

### UNITARY PACKAGING LENGTH

0

### UNITARY PACKAGING VOLUME

0

### UNITARY PACKAGING GROSS WEIGHT

0.195

### PRODUCT NET WEIGHT

0.195

### UNITARY PACKAGING WEIGHT UNIT

KGM

### PACKAGING EAN

8421053091869

### UNITS CONTAINED PACKAGING

1

### PACKAGING HEIGHT

52

### PACKAGING WIDTH

150

### PACKAGING LENGTH

160

### PACKAGING MEASUREMENT UNIT

MMT

### PACKAGING VOLUME

1.248

### PACKAGING VOLUME UNIT

DMQ

### PACKAGING GROSS WEIGHT

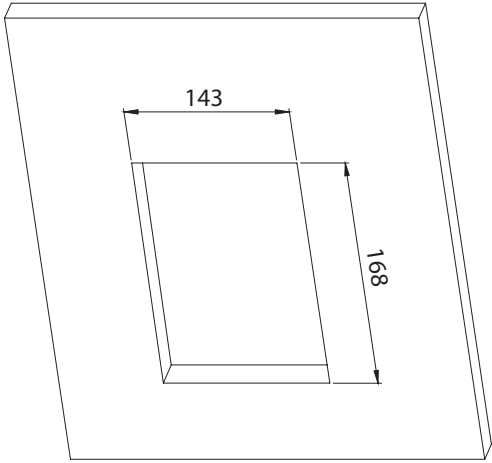
0

### PACKAGING NET WEIGHT

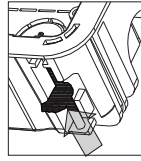
0.195

### PACKAGING WEIGHT UNIT

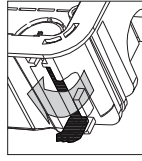
KGM



• Grosor pared de 4 a 30mm



Tabique hueco



Tabique obra

