

## Intermediate switch 10AX 250V~ with fast terminal connection system white Simon 27 Play

REF. 27251-65



### BASIC INFORMATION

#### DESCRIPTION

Belonging to the Simon 27 Play series, this 10 AX and 250V crossover is white in colour and is also available in ivory colour. Its operation is tilting and is part of the range of control mechanisms of this series. It measures 45 mm high x 45 mm wide. It incorporates the fast-terminal connection system. The wire that supports is from 1.5 to 2.5 mm and the stripping of the wire required to make the connection is 11 mm frame Suitable for surface and flush mounting. It is made of metal components with halogen-free thermoplastic insulation and thermoset trim. To clean properly, it is recommended to use a soft, dry cloth and avoid the use of strong chlorine-containing substances. For this part, it is possible to replace the finish of the supplied rocker. There are a total of 7 other finishes available!

#### FINISH

White

#### COMPATIBILITY

Simon 27 Play, Simon 27 Neos, Simon 27 Scudo, Simon 27, Simon 27 Centralisations and Simon 44 Aqua frames

#### PACKAGING CONTENTS

Mechanism with rocker

#### ETIM CLASS

EC001590

#### REMARKS

Possibility of substituting the finish of the rocker supplied with a different one. 7 additional finishes available.

## TECHNICAL INFORMATION

<b>AVAILABLE MARKET</b> CE	<b>CURRENT (A)</b> 10 AX	<b>OPERATING TEMPERATURE RANGE (°C)</b> 5 - 40 °C
<b>CABLE SECTION ADMITTED (MM)</b> From 1,5 to 2,5 mm	<b>IP RATING</b> IP21	<b>STORAGE TEMPERATURE RANGE (°C)</b> -25 - 50 °C
<b>NUMBER OF POSSIBLE ELEMENTS</b> 1 element	<b>MAINTENANCE</b> Clean with a soft, dry cloth. Do not use abrasive cloths or cleaning products that contain chlorine.	<b>VERSION</b> Single
<b>INDICATOR FUNCTION</b> No	<b>TYPE OF MECHANISM</b> Pivoting	<b>VOLTAGE (V~)</b> 250 V~

## INSTALLATION AND MAINTENANCE

<b>CABLE STRIPPING NECESSARY (MM)</b> 11	<b>INSTALLABLE IN FLUSH MOUNT JUNCTION BOX</b> Universal, American and Centralisations	<b>INSTALLATION TYPE</b> Suitable for surface and flush mounting
<b>CLAW</b> Simon 27	<b>INSTALLATION DIRECTION</b> Horizontal, Vertical	<b>TYPE OF TERMINAL CONNECTION - FUNCTION 1</b> Fast

## REGULATIONS

### REGULATIONS

Dir. 2014/35/UE LVD | Dir. 2011/65/UE RoHS + post. mod. | EN 60669-1:2018 | EN IEC 63000:2018

## LOGISTICS INFORMATION

UNITARY EAN CODE

8421053251935

UNITARY PACKAGING HEIGHT

45.5

UNITARY PACKAGING WIDTH

38.1

UNITARY PACKAGING LENGTH

45.5

UNITARY PACKAGING  
MEASUREMENT UNIT

MMT

UNITARY PACKAGING VOLUME

78.877

UNITARY PACKAGING VOLUME  
UNIT

MMQ

UNITARY PACKAGING GROSS  
WEIGHT

0.036

PRODUCT NET WEIGHT

0.036

UNITARY PACKAGING WEIGHT  
UNIT

KGM

PACKAGING EAN

8421053035573

UNITS CONTAINED PACKAGING

10

PACKAGING HEIGHT

53

PACKAGING WIDTH

105

PACKAGING LENGTH

220

PACKAGING MEASUREMENT  
UNIT

MMT

PACKAGING VOLUME

1.224

PACKAGING VOLUME UNIT

DMQ

PACKAGING GROSS WEIGHT

0.344

PACKAGING NET WEIGHT

0.36

PACKAGING WEIGHT UNIT

KGM

# MECANISMOS SIMON 27, 28 Y 44

## Mecanismos básicos / Basic switches



Interruptor unipolar / Single-pole switch  
XX00101-XX



Pulsador / Push button switch  
XX00150-XX



Interruptor bipolar / Double pole switch  
XX00133-XX



Conmutador / 2-way switch  
XX00201-XX



Conmutador cruce / Intermediate switch  
XX00251-XX

## Mecanismos con piloto / Pilot switches



Interruptor unipolar / Single-pole switch  
XX00102-XX



Interruptor bipolar / Double pole switch  
XX00134-XX



Conmutador / 2-way switch  
XX00202-XX



Interrupor unipolar / Single-pole switch  
XX00104-XX



Pulsador / Push button switch  
XX00160-XX



Conmutador / 2-way switch  
XX2700204-XX



Conmutador cruce / Intermediate switch  
XX2700254-XX

VISTA FRONTAL E ISOMÉTRICA DEL PRODUCTO

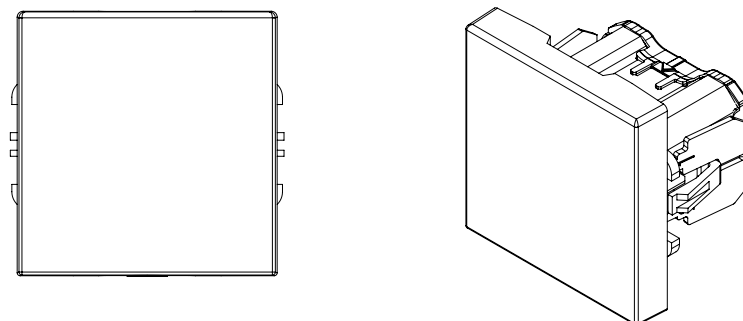
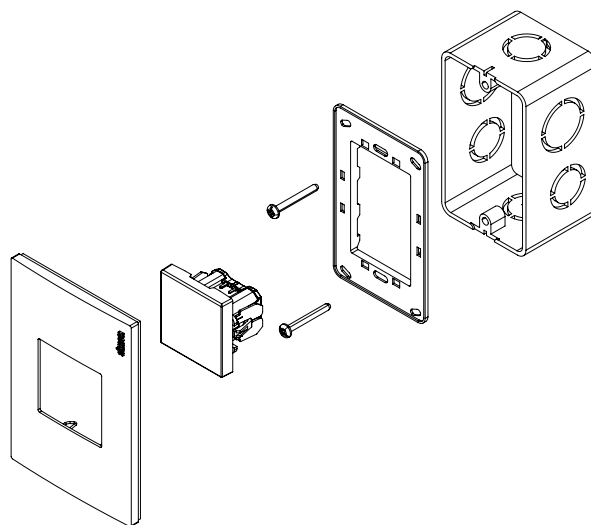


DIAGRAMA DE MONTAJE



\*Placa y chasis NO incluidos

DIAGRAMA DE CONEXIÓN

