

**Single-pole switch 10AX 250V~ with fast terminal connection system white Simon 27 Play**

REF. 27101-65



## BASIC INFORMATION

### DESCRIPTION

Single-pole switch 10 AX 250V~ with system fast-terminals connection of white colour belonging to the Simon 27 Play series, you can find it in the category "control mechanisms", requires a current of 10 AX and a voltage of 250V~, with fast-terminals connection and a type of tilting operation. You have the possibility of exchanging the finish of the supplied rocker with another seven finishes that we have available for the element. It consists of two modules and a single element, is suitable for surface mounting or flush mounting, offering a perfect finish and quick and easy installation, its dimensions for installation are 45x45 mm. Manufactured with metal components with halogen-free thermoplastic insulation and a thermo-stable trim, it will be able to operate at full performance at temperatures ranging from 5°C to 40°C. It is recommended to use a soft cloth for cleaning and maintenance.

### FINISH

White

### COMPATIBILITY

Simon 27 Play, Simon 27 Neos, Simon 27 Scudo, Simon 27, Simon 27 Centralisations and Simon 44 Aqua frames

### PACKAGING CONTENTS

Mechanism with rocker

### ETIM CLASS

EC001590

### REMARKS

Possibility of substituting the finish of the rocker supplied with a different one. 7 additional finishes available.

## TECHNICAL INFORMATION

### AVAILABLE MARKET

CE

### CURRENT (A)

10 AX

### OPERATING TEMPERATURE

RANGE (°C)

5 - 40 °C

### CABLE SECTION ADMITTED (MM)

From 1,5 to 2,5 mm

### IP RATING

IP21

### STORAGE TEMPERATURE RANGE

(°C)

-25 - 50 °C

### NUMBER OF POSSIBLE ELEMENTS

1 element

### MAINTENANCE

Clean with a soft, dry cloth. Do not use abrasive cloths or cleaning products that contain chlorine.

### VERSION

Single

### INDICATOR FUNCTION

No

### TYPE OF MECHANISM

Pivoting

### VOLTAGE (V~)

250 V~

## INSTALLATION AND MAINTENANCE

### CABLE STRIPPING NECESSARY (MM)

11

### CLAW

Simon 27

### INSTALLABLE IN FLUSH MOUNT JUNCTION BOX

Universal, American and Centralisations

### INSTALLATION DIRECTION

Horizontal, Vertical

### INSTALLATION TYPE

Suitable for surface and flush mounting

### TYPE OF TERMINAL CONNECTION - FUNCTION 1

Fast

## REGULATIONS

### REGULATIONS

Dir. 2014/35/UE LVD | Dir. 2011/65/UE RoHS + post. mod. | EN 60669-1:2018 | EN IEC 63000:2018

## LOGISTICS INFORMATION

UNITARY EAN CODE

8421053251447

UNITARY PACKAGING HEIGHT

45.5

UNITARY PACKAGING WIDTH

38.1

UNITARY PACKAGING LENGTH

45.5

UNITARY PACKAGING  
MEASUREMENT UNIT

MMT

UNITARY PACKAGING VOLUME

0.079

UNITARY PACKAGING VOLUME  
UNIT

MMQ

UNITARY PACKAGING GROSS  
WEIGHT

0.032

PRODUCT NET WEIGHT

0.032

UNITARY PACKAGING WEIGHT  
UNIT

KGM

PACKAGING EAN

8421053035498

UNITS CONTAINED PACKAGING

10

PACKAGING HEIGHT

50

PACKAGING WIDTH

105

PACKAGING LENGTH

220

PACKAGING MEASUREMENT  
UNIT

MMT

PACKAGING VOLUME

1.155

PACKAGING VOLUME UNIT

DMQ

PACKAGING GROSS WEIGHT

0.32

PACKAGING NET WEIGHT

0.32

PACKAGING WEIGHT UNIT

KGM

# MECANISMOS SIMON 27, 28 Y 44

## Mecanismos básicos / Basic switches



Interruptor unipolar / Single-pole switch  
XX00101-XX



Pulsador / Push button switch  
XX00150-XX



Interruptor bipolar / Double pole switch  
XX00133-XX



Conmutador / 2-way switch  
XX00201-XX



Conmutador cruce / Intermediate switch  
XX00251-XX

## Mecanismos con piloto / Pilot switches



Interruptor unipolar / Single-pole switch  
XX00102-XX



Interruptor bipolar / Double pole switch  
XX00134-XX



Conmutador / 2-way switch  
XX00202-XX



Interrupor unipolar / Single-pole switch  
XX00104-XX



Pulsador / Push button switch  
XX00160-XX



Conmutador / 2-way switch  
XX2700204-XX



Conmutador cruce / Intermediate switch  
XX2700254-XX

VISTA FRONTAL E ISOMÉTRICA DEL PRODUCTO

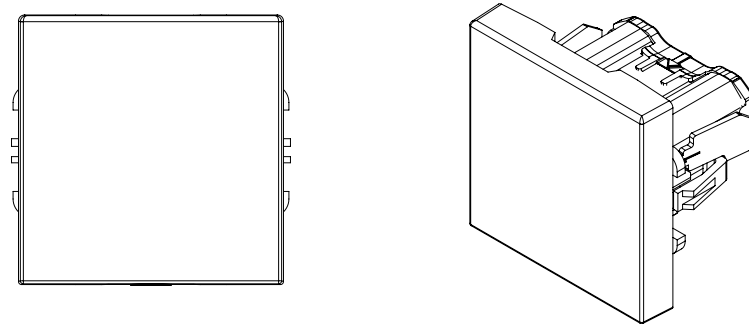
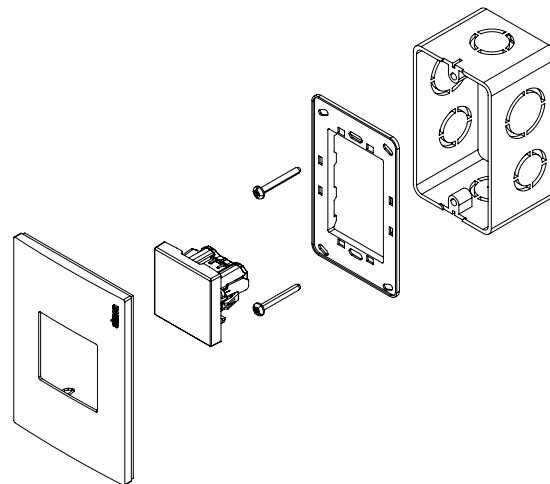


DIAGRAMA DE MONTAJE



\*Placa y chasis NO incluidos

DIAGRAMA DE CONEXIÓN

