

## Double 2-way switch with screw terminal connection system matt black Simon 82 Concept

REF. 8200397-098



### BASIC INFORMATION

**FINISH**

Matt black

**PACKAGING**

Flow pack

**ETIM CLASS**

EC001590

**COMPATIBILITY**

Simon 82

**PACKAGING CONTENTS**

Double mechanism

## TECHNICAL INFORMATION

<b>AVAILABLE MARKET</b> CE	<b>INDICATOR FUNCTION</b> No	<b>OPERATING TEMPERATURE RANGE (°C)</b> 5 - 40 °C
<b>CABLE SECTION ADMITTED (MM)</b> 2,5 mm	<b>CURRENT (A)</b> 10 AX	<b>STORAGE TEMPERATURE RANGE (°C)</b> -25 - 50 °C
<b>NUMBER OF POSSIBLE ELEMENTS</b> 1 item	<b>IP RATING</b> IP20	<b>VERSION</b> Single
<b>FORMAT</b> Set	<b>TYPE OF MECHANISM</b> Rocker switch	<b>VOLTAGE (V~)</b> 250 V~
	<b>MONOBLOCK</b> No	

## INSTALLATION AND MAINTENANCE

<b>CLAW</b> Not possible	<b>INSTALLATION TYPE</b> Suitable for surface or recessed mount	<b>TYPE OF TERMINAL CONNECTION - FUNCTION 1</b> Fast
<b>INSTALLABLE IN FLUSH MOUNT JUNCTION BOX</b> Universal		

## REGULATIONS

**WARRANTY**  
3 years

**REGULATIONS**  
Directive 2011/65/UE RoHS + EN 50581:2012 + IEC 60884-1 Ed 3.2

## LOGISTICS INFORMATION

UNITARY EAN CODE 8421053279915	UNITARY PACKAGING GROSS WEIGHT 0.083	PACKAGING LENGTH 223
UNITARY PACKAGING HEIGHT 0	PRODUCT NET WEIGHT 0.083	PACKAGING MEASUREMENT UNIT MMT
UNITARY PACKAGING WIDTH 0	UNITARY PACKAGING WEIGHT UNIT KGM	PACKAGING VOLUME 1517738
UNITARY PACKAGING LENGTH 0	PACKAGING EAN 8421053228807	PACKAGING VOLUME UNIT MMQ
UNITARY PACKAGING MEASUREMENT UNIT MMT	UNITS CONTAINED PACKAGING 5	PACKAGING GROSS WEIGHT 0.417
UNITARY PACKAGING VOLUME 0	PACKAGING HEIGHT 82	PACKAGING NET WEIGHT 0.415
UNITARY PACKAGING VOLUME UNIT MMQ	PACKAGING WIDTH 83	PACKAGING WEIGHT UNIT KGM

# MECANISMOS SIMON 31, 75, 77, 82 Y 88

## Mecanismos básicos / Basic switches



Interruptor unipolar / Single-pole switch  
XXXX101-XXX



Interruptor unipolar / Single-pole switch  
7700101-039



Pulsador / Push button switch  
XXXX150-XXX



Pulsador / Push button switch  
7700150-039



Interruptor bipolar / Double pole switch  
XXXX133-XXX



Conmutador / 2-way switch  
XXXX201-XXX



Conmutador / 2-way switch  
7700201-039



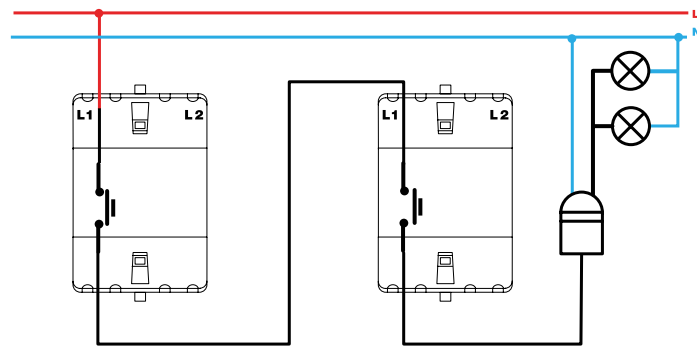
Conmutador cruce / Intermediate switch  
XXXX251-XXX



Conmutador cruce / Intermediate switch  
7700251-039



Grupo 2 interruptores / 2 switches group  
XXXX398-XXX



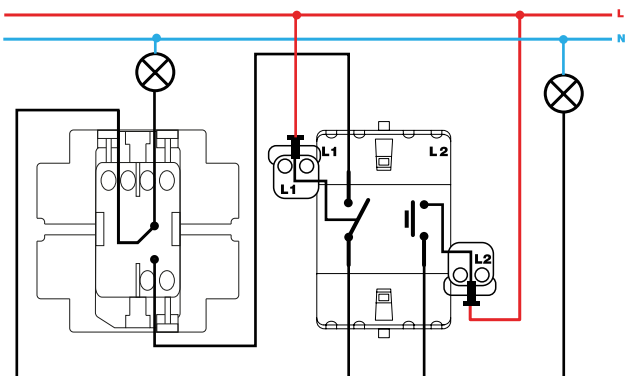
Pulsador desconexión / Push button disconnection switch  
XXXX152-XXX



Grupo dos conmutadores / 2-way switches group  
XXXX397-XXX



Grupo de pulsadores desconexión / Push button switch  
desconexion group XXXX395-XXX



Grupo conmutador y pulsador / 2-way and push button switch group  
XXXX301-XXX



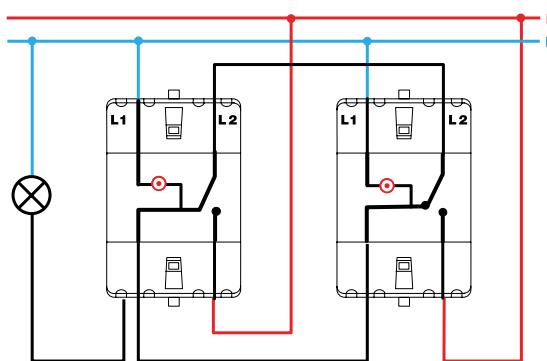
Interruptor unipolar / Single-pole switch  
XXXX102-XXX



Interruptor con piloto / Push button pilot switch  
7700112-039



Interruptor bipolar / Double pole switch  
XXXX134-XXX



Conmutador / 2-way switch  
XXXX202-XXX



Interruptor unipolar con luminoso / Single-pole switch with light  
XXXX104-XXX



Pulsador con luminoso / Push button switch with light  
XXXX160-XXX



Pulsador con luminoso / Push button switch with light  
7700160-039



Conmutador con luminoso / 2-way switch with light  
XXXX204-XXX



Conmutador cruce con luminoso / Intermediate switch with light  
XXXX254-XXX