

Rocker for switches transparent Simon 27 Play

REF. 2720010-108



BASIC INFORMATION

DESCRIPTION

Changing the image of a room with Simon 27 Play is as easy as clicking on the frame with any of its covers available in 5 ranges: Colour, arctic, extreme, metal and transparent. For example, with the Rocker for transparent control mechanisms included in this series, it is a rocker sleeve with dimensions are 45x45 mm for its installation, it is necessary to use a universal recessed box or, in its absence, a baseboard surface-mounted. This reference only includes the embellishing rocker, so to complete the function, a mechanism must be acquired and replace the included rocker. The thermoplastic is the material with which it has been manufactured in compliance with the current regulation in the sector, a component that gives it great resistance to knocks and scratches, as well as an extended durability over time.

FINISH

Transparent

MATERIAL

Plastic

PACKAGING CONTENTS

Single rocker

SYMBOL

Without engravings

COMPATIBILITY

Simon 27 Play mechanisms

ETIM CLASS

EC000011

REMARKS

This article includes only the trim rocker. To complete the function you need to purchase a mechanism and replace the rocker included.

TECHNICAL INFORMATION

AVAILABLE MARKET

CE

IP RATING

IP20

OPERATING TEMPERATURE RANGE (°C)

5 - 40 °C

NUMBER OF POSSIBLE ELEMENTS

1 element

MAINTENANCE

Clean with a soft, dry cloth. Do not use abrasive cloths or cleaning products that contain chlorine.

STORAGE TEMPERATURE RANGE (°C)

-25 - 50 °C

INDICATOR FUNCTION

No

NUMBER OF MODULES

2 modules

VERSION

Single

INSTALLATION AND MAINTENANCE

INSTALLATION DIRECTION

Horizontal, Vertical

INSTALLATION TYPE

Suitable for surface and flush mounting

REGULATIONS

REGULATIONS

Dir. 2014/35/UE LVD | Dir. 2011/65/UE RoHS + post. mod. | EN 60669-1:2018 | EN IEC 63000:2018

LOGISTICS INFORMATION

UNITARY EAN CODE 8421053075418	UNITARY PACKAGING GROSS WEIGHT 0.019	PACKAGING LENGTH 91
UNITARY PACKAGING HEIGHT 11.13	PRODUCT NET WEIGHT 0.019	PACKAGING MEASUREMENT UNIT MMT
UNITARY PACKAGING WIDTH 45.5	UNITARY PACKAGING WEIGHT UNIT KGM	PACKAGING VOLUME 0.597
UNITARY PACKAGING LENGTH 44.7	PACKAGING EAN 8421053075418	PACKAGING VOLUME UNIT DMQ
UNITARY PACKAGING MEASUREMENT UNIT MMT	UNITS CONTAINED PACKAGING 5	PACKAGING GROSS WEIGHT 0.094
UNITARY PACKAGING VOLUME 0.023	PACKAGING HEIGHT 81	PACKAGING NET WEIGHT 0.095
UNITARY PACKAGING VOLUME UNIT DMQ	PACKAGING WIDTH 81	PACKAGING WEIGHT UNIT KGM

VISTA FRONTAL E ISOMÉTRICA DEL PRODUCTO

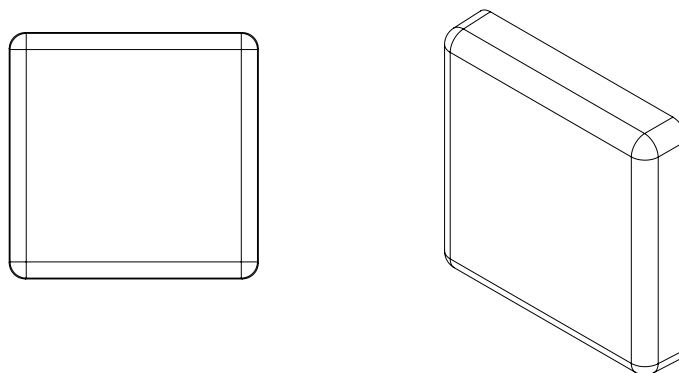
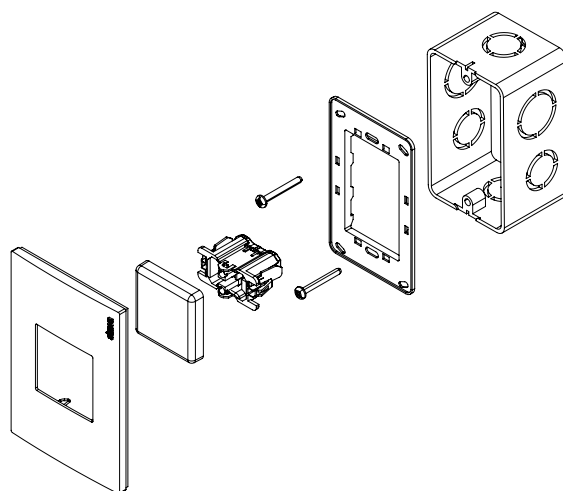


DIAGRAMA DE MONTAJE



*Placas, mecanismo y chasis NO incluidos