

Rocker for switches graphite Simon 27 Play

REF. 2720010-038



BASIC INFORMATION

DESCRIPTION

The control mechanisms are present in a multitude of public and private buildings: Schools, hotels, medical centres, official agency headquarters or offices buildings. For these systems are perfectly protected, thus avoiding any type of accident that can affect their correct operation, as well as the deterioration and oxidation of its structure with the passage of time, we have the Rocker for control mechanisms in graphite finish included in the Simon 27 Play series, It is a rocker sleeve in wide module with dimensions of 45x45 mm It has been manufactured with thermoplastic materials, a circumstance that is visible in the quality of the same. This reference only includes the embellishing rocker. To complete the function, a mechanism must be acquired and replace the included rocker. Its low price makes it the perfect rocker for all types of budgets.

FINISH

Graphite

MATERIAL

Plastic

PACKAGING CONTENTS

Single rocker

SYMBOL

Without engravings

COMPATIBILITY

Simon 27 Play mechanisms

ETIM CLASS

EC000011

REMARKS

This article includes only the trim rocker. To complete the function you need to purchase a mechanism and replace the rocker included.

TECHNICAL INFORMATION

AVAILABLE MARKET

CE

IP RATING

IP20

OPERATING TEMPERATURE RANGE (°C)

5 - 40 °C

NUMBER OF POSSIBLE ELEMENTS

1 element

MAINTENANCE

Clean with a soft, dry cloth. Do not use abrasive cloths or cleaning products that contain chlorine.

STORAGE TEMPERATURE RANGE (°C)

-25 - 50 °C

INDICATOR FUNCTION

No

VERSION

Single

NUMBER OF MODULES

2 modules

INSTALLATION AND MAINTENANCE

INSTALLATION DIRECTION

Horizontal, Vertical

INSTALLATION TYPE

Suitable for surface and flush mounting

REGULATIONS

REGULATIONS

Dir. 2014/35/UE LVD | Dir. 2011/65/UE RoHS + post. mod. | EN 60669-1:2018 | EN IEC 63000:2018

LOGISTICS INFORMATION

UNITARY EAN CODE 8421053075289	UNITARY PACKAGING GROSS WEIGHT 0.015	PACKAGING LENGTH 91
UNITARY PACKAGING HEIGHT 11.13	PRODUCT NET WEIGHT 0.012	PACKAGING MEASUREMENT UNIT MMT
UNITARY PACKAGING WIDTH 45.5	UNITARY PACKAGING WEIGHT UNIT KGM	PACKAGING VOLUME 0.597
UNITARY PACKAGING LENGTH 44.7	PACKAGING EAN 8421053075289	PACKAGING VOLUME UNIT DMQ
UNITARY PACKAGING MEASUREMENT UNIT MMT	UNITS CONTAINED PACKAGING 10	PACKAGING GROSS WEIGHT 0.154
UNITARY PACKAGING VOLUME 0.023	PACKAGING HEIGHT 81	PACKAGING NET WEIGHT 0.12
UNITARY PACKAGING VOLUME UNIT DMQ	PACKAGING WIDTH 81	PACKAGING WEIGHT UNIT KGM

VISTA FRONTAL E ISOMÉTRICA DEL PRODUCTO

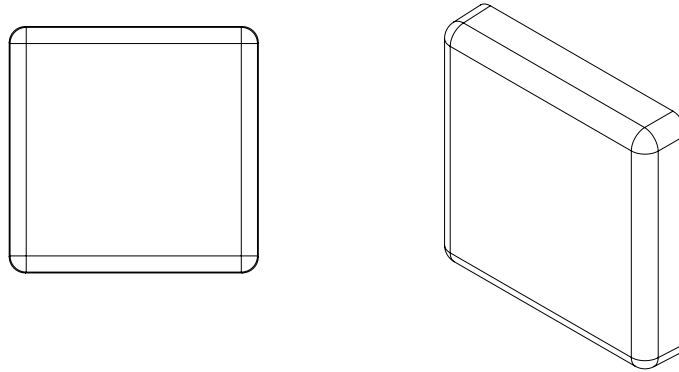
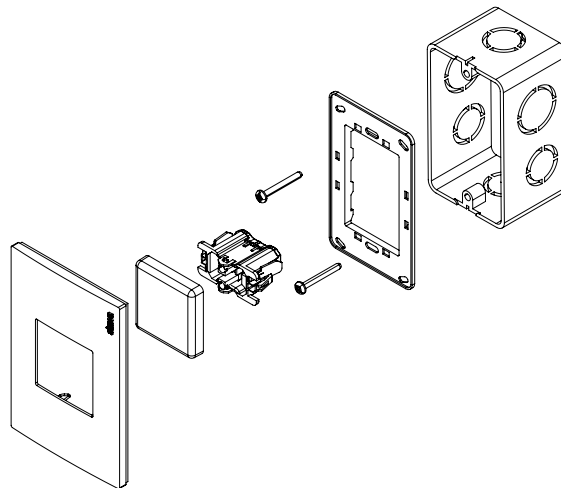


DIAGRAMA DE MONTAJE



*Placas, mecanismo y chasis NO incluidos