

Rocker for switches antibacterial Simon 27 Play

REF. 2720010-060



BASIC INFORMATION

DESCRIPTION

The rocker for Simon 27 Play antibacterial control mechanism includes only one embellishing rocker. To complete the function, a mechanism must be acquired and replace the included rocker. It is recommended to combine with antibacterial function sleeves for maximum protection. It can be installed in 2 different ways, surface mounting or flush mounting. The most common temperature ranges of the rocker for mechanisms are 5 to 40° with a limit ranging from -25 to 50°. Includes the regulation EN 60669-1:1999 + A1:2002 + A2:2008 + EN 50581:2012. The main manufacturing material is thermoplastic with an antibacterial white finish. The rocker for antibacterial control mechanisms measures 45x45 mm, the cover for the socket is of individual version, also contains one element and 2 modules. This model does not have a signaling function.

FINISH

White antibacterial

MATERIAL

Plastic

PACKAGING CONTENTS

Single rocker

SYMBOL

Without engravings

COMPATIBILITY

Simon 27 Play mechanisms

ETIM CLASS

EC000011

REMARKS

This article includes only the trim rocker. To complete the function you need to purchase a mechanism and replace the rocker included. It is recommended to combine it with covers with an antibacterial function for maximum protection.

TECHNICAL INFORMATION

AVAILABLE MARKET

CE

IP RATING

IP20

OPERATING TEMPERATURE RANGE (°C)

5 - 40 °C

NUMBER OF POSSIBLE ELEMENTS

1 element

MAINTENANCE

Clean with a soft, dry cloth. Do not use abrasive cloths or cleaning products that contain chlorine.

STORAGE TEMPERATURE RANGE (°C)

-25 - 50 °C

INDICATOR FUNCTION

No

NUMBER OF MODULES

2 modules

VERSION

Single

INSTALLATION AND MAINTENANCE

INSTALLATION DIRECTION

Vertical and horizontal

INSTALLATION TYPE

Suitable for surface and flush mounting

REGULATIONS

REGULATIONS

Dir. 2014/35/UE LVD | Dir. 2011/65/UE RoHS + post. mod. | EN 60669-1:2018 | EN IEC 63000:2018

LOGISTICS INFORMATION

UNITARY EAN CODE

8421053075401

UNITARY PACKAGING GROSS WEIGHT

0.018

PACKAGING LENGTH

91

UNITARY PACKAGING HEIGHT

11.13

PRODUCT NET WEIGHT

0.011

PACKAGING MEASUREMENT UNIT

MMT

UNITARY PACKAGING WIDTH

45.5

UNITARY PACKAGING WEIGHT UNIT

KGM

PACKAGING VOLUME

0.597

UNITARY PACKAGING LENGTH

44.7

PACKAGING EAN

8421053075401

PACKAGING VOLUME UNIT

DMQ

UNITARY PACKAGING MEASUREMENT UNIT

MMT

UNITS CONTAINED PACKAGING

5

PACKAGING GROSS WEIGHT

0.092

UNITARY PACKAGING VOLUME

0.023

PACKAGING HEIGHT

81

PACKAGING NET WEIGHT

0.055

UNITARY PACKAGING VOLUME UNIT

DMQ

PACKAGING WIDTH

81

PACKAGING WEIGHT UNIT

KGM

VISTA FRONTAL E ISOMÉTRICA DEL PRODUCTO

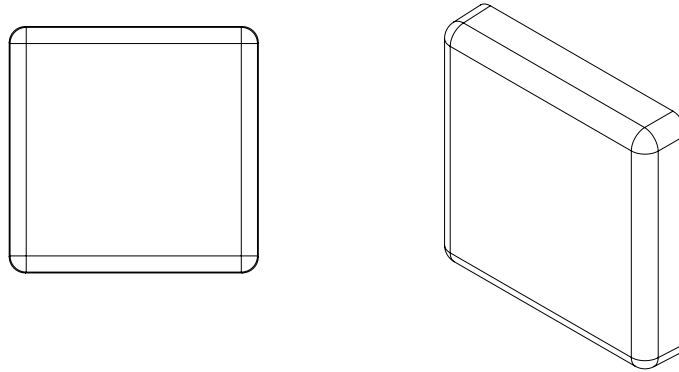
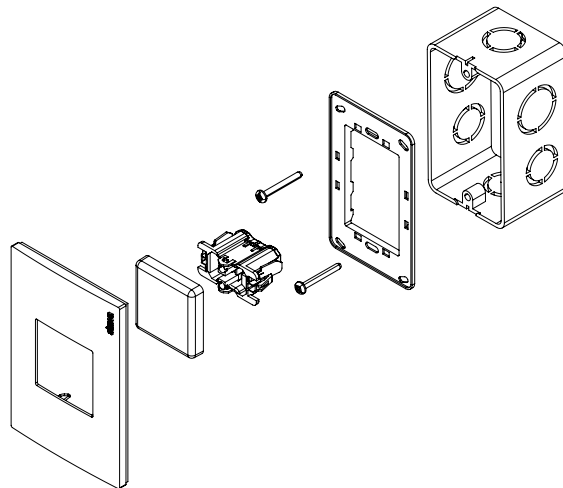


DIAGRAMA DE MONTAJE



*Placas, mecanismo y chasis NO incluidos