

Double-pole switch 16AX 250V~ with screw terminal connection system white Simon 27 Play

REF. 27133-65



BASIC INFORMATION

DESCRIPTION

Control mechanism belonging to the Simon 27 Play series, specifically, it is a double-pole switch for elements of up to 16 A and 250 volts. It stands out for its simple system with screw terminal connection, its installation is very simple and is to do it or by placing directly in surface-mounted or flush mounting, depending on needs. Its measures without 45 x 45 millimetres and consists of two modules. The product is white in colour. The rocker operation of the switch is very simple and user-friendly. It is made of high quality material. Its components are characterized by its thermoplastic insulation, halogen-free and the trim is thermostable. This material gives it an extra resistance to low and high temperatures. To keep it is necessary to highlight that do not use any type of abrasive cleaning product. Enough simply wipe with a soft, dry cloth.

FINISH

White

COMPATIBILITY

Simon 27 Play, Simon 27 Neos, Simon 27 Scudo, Simon 27, Simon 27 Centralisations and Simon 44 Aqua frames

PACKAGING CONTENTS

Mechanism with rocker

ETIM CLASS

EC001590

TECHNICAL INFORMATION

AVAILABLE MARKET CE	CURRENT (A) 16 AX	OPERATING TEMPERATURE RANGE (°C) 5 - 40 °C
CABLE SECTION ADMITTED (MM) From 1,5 to 2,5 mm	IP RATING IP21	STORAGE TEMPERATURE RANGE (°C) -25 - 50 °C
NUMBER OF POSSIBLE ELEMENTS 1 element	MAINTENANCE Clean with a soft, dry cloth. Do not use abrasive cloths or cleaning products that contain chlorine.	VERSION Single
INDICATOR FUNCTION No	TYPE OF MECHANISM Pivoting	VOLTAGE (V~) 250 V~

INSTALLATION AND MAINTENANCE

CABLE STRIPPING NECESSARY (MM) 11	INSTALLABLE IN FLUSH MOUNT JUNCTION BOX Universal, American and Centralisations	INSTALLATION TYPE Suitable for surface and flush mounting
CLAW Simon 27	INSTALLATION DIRECTION Horizontal, Vertical	TYPE OF TERMINAL CONNECTION - FUNCTION 1 Fast

REGULATIONS

REGULATIONS

Dir. 2014/35/UE LVD | Dir. 2011/65/UE RoHS + post. mod. | EN 60669-1:2018 | EN IEC 63000:2018

LOGISTICS INFORMATION

UNITARY EAN CODE

8421053251539

UNITARY PACKAGING HEIGHT

36.5

UNITARY PACKAGING WIDTH

45.7

UNITARY PACKAGING LENGTH

46.3

UNITARY PACKAGING
MEASUREMENT UNIT

MMT

UNITARY PACKAGING VOLUME

0.077

UNITARY PACKAGING VOLUME
UNIT

MMQ

UNITARY PACKAGING GROSS
WEIGHT

0.048

PRODUCT NET WEIGHT

0.039

UNITARY PACKAGING WEIGHT
UNIT

KGM

PACKAGING EAN

8421053036051

UNITS CONTAINED PACKAGING

10

PACKAGING HEIGHT

53

PACKAGING WIDTH

160

PACKAGING LENGTH

220

PACKAGING MEASUREMENT
UNIT

MMT

PACKAGING VOLUME

1.866

PACKAGING VOLUME UNIT

DMQ

PACKAGING GROSS WEIGHT

0.476

PACKAGING NET WEIGHT

0.39

PACKAGING WEIGHT UNIT

KGM

MECANISMOS SIMON 27, 28 Y 44

Mecanismos básicos / Basic switches



Interruptor unipolar / Single-pole switch
XX00101-XX



Pulsador / Push button switch
XX00150-XX



Interruptor bipolar / Double pole switch
XX00133-XX



Conmutador / 2-way switch
XX00201-XX



Conmutador cruce / Intermediate switch
XX00251-XX

Mecanismos con piloto / Pilot switches



Interruptor unipolar / Single-pole switch
XX00102-XX



Interruptor bipolar / Double pole switch
XX00134-XX



Conmutador / 2-way switch
XX00202-XX



Interrupor unipolar / Single-pole switch
XX00104-XX



Pulsador / Push button switch
XX00160-XX



Conmutador / 2-way switch
XX2700204-XX



Conmutador cruce / Intermediate switch
XX2700254-XX

VISTA FRONTAL E ISOMÉTRICA DEL PRODUCTO

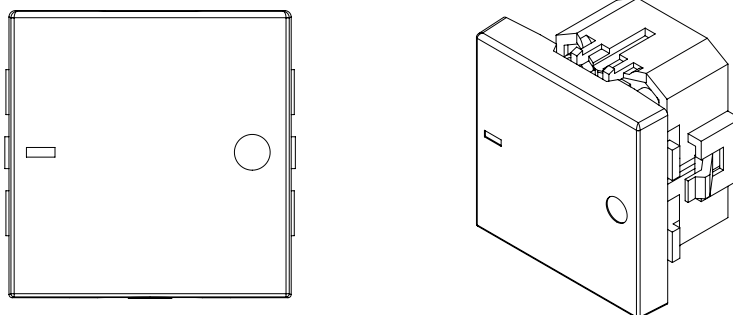
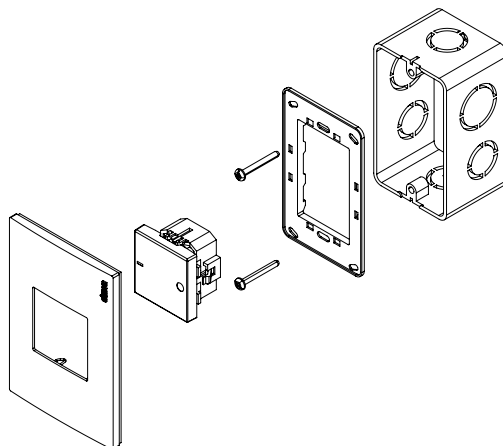


DIAGRAMA DE MONTAJE



*Placa y chasis NO incluidos

DIAGRAMA DE CONEXIÓN

