

## Rocker for switches translucent grey Simon 27 Play

REF. 2720010-112



## BASIC INFORMATION

### DESCRIPTION

Rocker for commandment translucent grey in colour, from the Simon 27 Play series and for control mechanisms. It has an element and two modules and is perfect for both to be recessed and surface-mounted, in places with a temperature of between 5 and 40°C, although it can withstand extreme temperatures of -25 to 50°C, approximately. It measures 22.5 x 45 mm and complies with applicable European standards EN 60669-1: 1999 + A1: 2002 + A2: 2008 + EN 50581: 2012. This rocker is made of thermoplastic, a material that is very easy to clean, as you will only have to wipe it regularly with so high a dry and soft cloth for never forget you to cloths or abrasive cleaners containing chlorine, as they could cause the rocker is estropeara and not worked correctly. This reference only includes the embellishing rocker, so if you want to complete the function, you must purchase a mechanism and replace the rocker indicated.

### FINISH

Translucent grey

### MATERIAL

Plastic

### PACKAGING CONTENTS

Single rocker

### SYMBOL

Without engravings

### COMPATIBILITY

Simon 27 Play mechanisms

### ETIM CLASS

EC000011

### REMARKS

This article includes only the trim rocker. To complete the function you need to purchase a mechanism and replace the rocker included.

## TECHNICAL INFORMATION

### AVAILABLE MARKET

CE

### IP RATING

IP20

### OPERATING TEMPERATURE RANGE (°C)

5 - 40 °C

### NUMBER OF POSSIBLE ELEMENTS

1 element

### MAINTENANCE

Clean with a soft, dry cloth. Do not use abrasive cloths or cleaning products that contain chlorine.

### STORAGE TEMPERATURE RANGE (°C)

-25 - 50 °C

### INDICATOR FUNCTION

No

### NUMBER OF MODULES

2 modules

### VERSION

Single

## INSTALLATION AND MAINTENANCE

### INSTALLATION DIRECTION

Horizontal, Vertical

### INSTALLATION TYPE

Suitable for surface and flush mounting

## REGULATIONS

### REGULATIONS

Dir. 2014/35/UE LVD | Dir. 2011/65/UE RoHS + post. mod. | EN 60669-1:2018 | EN IEC 63000:2018

## LOGISTICS INFORMATION

### UNITARY EAN CODE

8421053075463

### UNITARY PACKAGING GROSS WEIGHT

0.018

### PACKAGING LENGTH

91

### UNITARY PACKAGING HEIGHT

11.13

### PRODUCT NET WEIGHT

0.011

### PACKAGING MEASUREMENT UNIT

MMT

### UNITARY PACKAGING WIDTH

45.5

### UNITARY PACKAGING WEIGHT UNIT

KGM

### PACKAGING VOLUME

0.597

### UNITARY PACKAGING LENGTH

44.7

### PACKAGING EAN

8421053075463

### PACKAGING VOLUME UNIT

DMQ

### UNITARY PACKAGING MEASUREMENT UNIT

MMT

### UNITS CONTAINED PACKAGING

5

### PACKAGING GROSS WEIGHT

0.092

### UNITARY PACKAGING VOLUME

0.023

### PACKAGING HEIGHT

81

### PACKAGING NET WEIGHT

0.055

### UNITARY PACKAGING VOLUME UNIT

DMQ

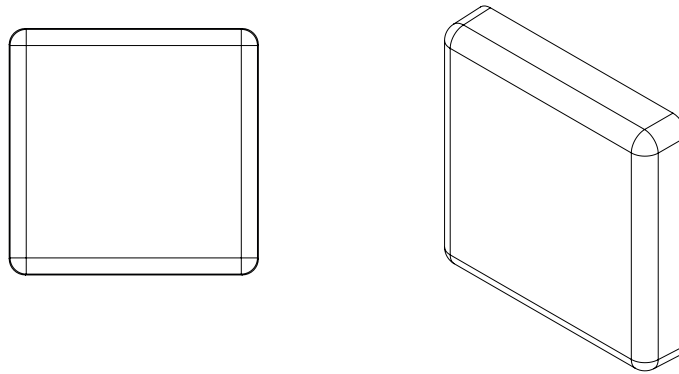
### PACKAGING WIDTH

81

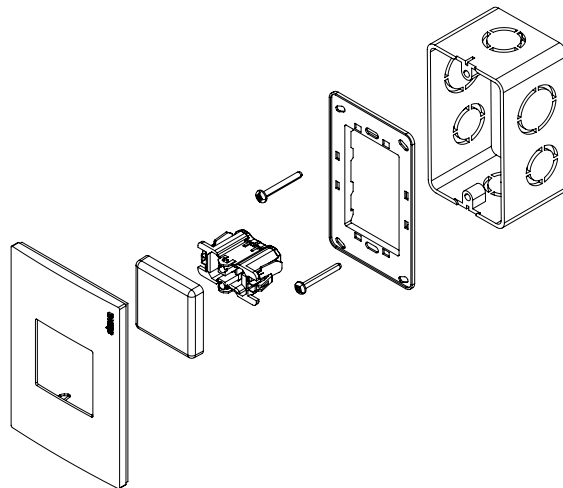
### PACKAGING WEIGHT UNIT

KGM

## VISTA FRONTAL E ISOMÉTRICA DEL PRODUCTO



## DIAGRAMA DE MONTAJE



\*Placas, mecanismo y chasis NO incluidos