

Lo-Carbon PureAir Home

Positive Input Ventilation Unit

Installation and Wiring Instructions



Stock Ref. N°

479090 – PureAir Home
479091 – PureAir Home with Heater
479092 – PureAir Home FD

220-240V~50Hz

Vent-Axia®

PLEASE READ INSTRUCTIONS IN CONJUNCTION WITH THE ILLUSTRATIONS.
PLEASE SAVE THESE INSTRUCTIONS

CE

SAFETY AND GUIDANCE NOTES

**IMPORTANT:
READ THESE INSTRUCTIONS BEFORE COMMENCING THE INSTALLATION**

1. DO NOT install this product in areas where the following may be present or occur:
 - 1.1. Excessive oil or a grease laden atmosphere.
 - 1.2. Corrosive or flammable gases, liquids or vapours.
 - 1.3. Ambient temperatures higher than 40°C or less than -5°C.
 - 1.4. Possible obstructions which would hinder access or removal of the Fan.
 - 1.5. Relative humidity above 90%
 - 1.6. Sudden ductwork bends or transformations close to the Unit.
2. All wiring to be in accordance with the current I.E.E. Regulations, or the appropriate standards of your country and MUST be installed by a suitably qualified person.
3. The fan must be provided with a 3A fused, isolator switch capable of disconnecting all poles, having a contact separation of at least 3mm.
4. Ensure that the mains supply (voltage, frequency, and phase) complies with the fan's rating label.
5. The fan should not be used where it is liable to be subjected to direct water spray.
6. This appliance can be used by children aged from 8 years and above and persons with reduced physical, sensory or mental capabilities or lack of experience and knowledge if they have been given supervision or instruction concerning use of the appliance in a safe way and understand the hazards involved. Children shall not play with the appliance. Cleaning and user maintenance shall not be made by children without supervision.
7. Precautions must be taken to avoid the back-flow of gases into the room from the open flue of gas or other fuel-burning appliances.
8. Children of less than 3 years should be kept away unless continuously supervised.
9. Children aged from 3 to 8 years shall only switch on/off the appliance provided the unit is installed as intended for normal operation and they have been given supervision or instruction concerning safe use of the appliance and understand the hazards involved.
10. Children aged 3 to 8 shall not plug in, regulate and clean the appliance or perform user maintenance

Caution - some parts of this product can become very hot and cause burns. Particular attention has to be given where children and vulnerable people are present.

A. INTRODUCTORY NOTES

The Vent Axia Lo-Carbon PureAir Home is a positive input ventilation unit, designed to be installed in the loft of a dwelling to continually supply filtered fresh air into the building.

The system consists of a fan unit, an **optional** heater unit and a diffuser with a short length of flexible ducting.

The Lo-Carbon PureAir Home has two fully adjustable speed settings; 'Trickle' and 'Energy Recovery'. These speeds are set during installation; there are 5 pre-set speeds or an option allowing the speeds to be chosen manually from 10L/s to 60L/s.

The Lo-Carbon PureAir Home uses a sensor to monitor the temperature in the loft, automatically adjusting the air volume when necessary.

'Trickle' speed is automatically selected when the ambient loft temperature is less than 18°C.

'Energy Recovery' is automatically selected when the ambient loft temperature is between 18 and 27°C.

If the ambient loft temperature exceeds 27°C, the Lo-Carbon PureAir Home will automatically switch to standby (no airflow).

For the model supplied with a heater units (479091 & 479092), the element is activated by default when the loft air temperature is below 10°C; the system will then work to maintain an input air temperature of 10°C. This temperature threshold can be adjusted between 5°C and 20°C during commissioning.

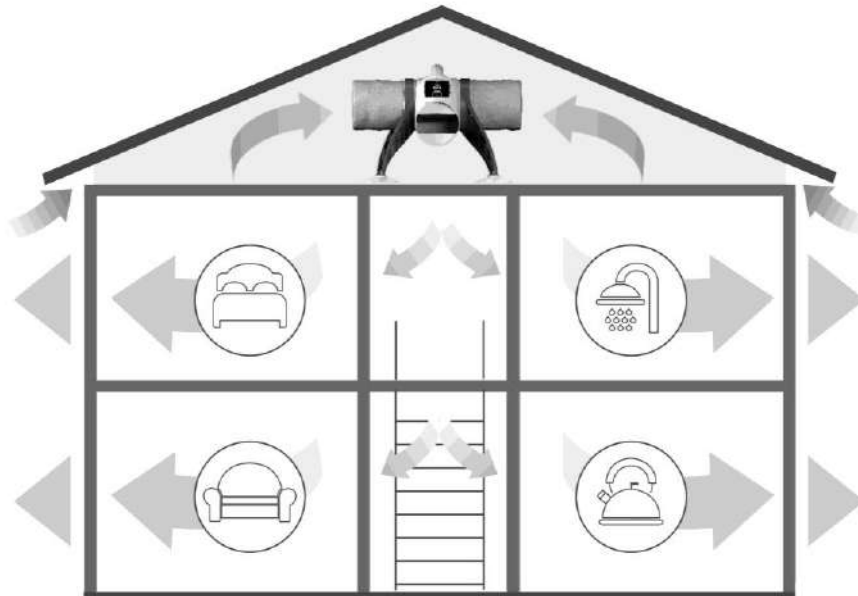
The heater unit can be installed either to the fan unit or directly to the diffuser spigot.

Please note: You cannot fit the heater unit to the diffuser on "FD" models.

B. INSTALLATION

TYPICAL INSTALLATION

Fig.1.



Lo-Carbon PureAir Home UNIT:

Prior to installation ensure that the loft is adequately ventilated. The following tips can be used as a basis for this. However this is not an exhaustive list.

Ensure that any ridge vents, tile vents and continuous air gaps are not blocked. These may not be present in older properties; however there should be enough 'leakage' to accommodate the requirements of the Lo-Carbon PureAir Home unit.

One method of checking this is by entering the loft, closing the loft hatch, switching off the lights and looking for any daylight penetration. If daylight is visible it is reasonable to assume that there is adequate ventilation within the loft.

There may well be occasions where a loft is so well sealed that additional ventilation may need to be provided by the owner/occupier. This will not only assist the operation of the Lo-Carbon PureAir Home, but may also help to prevent future expensive structural damage caused by inadequate air movement. It should be noted that there can never be too much ventilation in a loft.

Ensure that all water tanks are covered and sealed.

Check that all water pipes are lagged.

Ensure that any extract fans are discharging to the outside and not into the loft.

Check that the loft hatch is tightly sealed.

Ensure that all holes in the ceilings are sealed, i.e. ceiling light fittings etc.

A visual inspection of any flues or chimneys for leakage in the loft should be carried out by the installer.

If any leakage points are found, or if there is any doubt at all, the installer should advise the house owner/provider as soon as possible and seek instruction from them before proceeding with the installation.

Flexible ducting is supplied as standard. Ensure that this is pulled out and does not allow any moisture to collect; it should be a smooth single curve to the grille. If the application requires a fixed 90 degree bend, straight ducting may be used. See Spares and Accessories on page 11.

C. Hanging method:

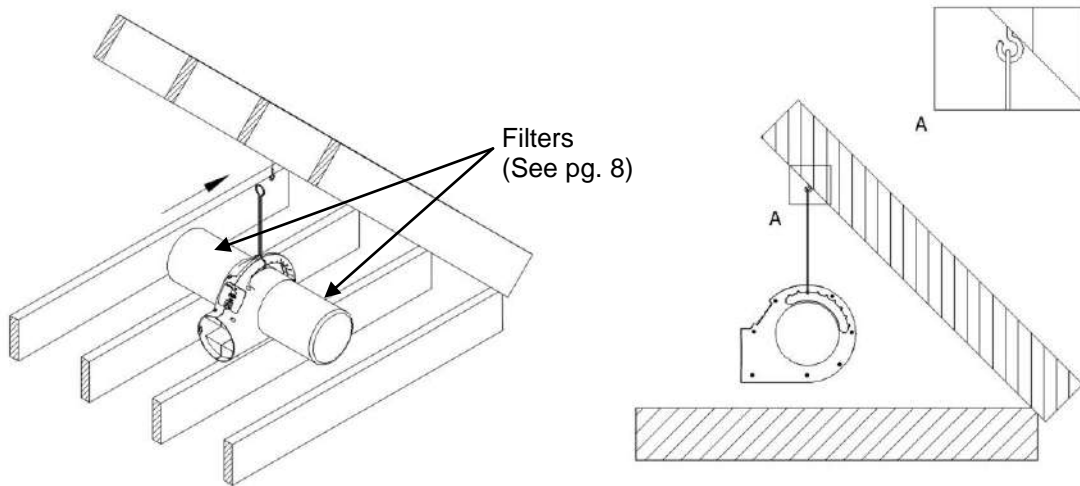
The Lo-Carbon PureAir Home can be hung from a roof beam (Fig. 2). Fix the screw eye to a convenient roof beam. Use the cord provided to loop through the eye and around the handle on the unit, there are various notches for the cord to run through, tie the two ends together using a suitable knot such as an over hand or fisherman's knot.

Ensure that the route for the flexible ducting has gentle bends and that the duct cannot be crushed.

Fit the filters to the unit. **Please make sure that the filters are fitted correctly. This will ensure that all the fresh air entering the dwelling has passed through the filter first.**

Ensure that the screw eye is attached to the beam strongly enough and that the beam is in sufficient condition to withstand the load. The unit weight is approximately 4 kg.

Fig.2.



D. Floor mounting:

Attach the mounting legs to the unit, two per side.

Find a suitable location to fix the unit near to where the diffuser is to be located. Ensure that the route for the flexible ducting has gentle bends and that the duct cannot be crushed Fig.3.

The legs and feet can be adjusted to suit ceiling joists of varying spans. Adjust the legs and feet so that the unit spans over two joists. Secure the feet to the joists with screws, Fig.4. In the unlikely event that the legs cannot span the ceiling joists affix the unit to a wooden board or two lengths of timber which can then be screwed to the joists.

Fit the filters to the unit. **Please make sure that the filters are fitted correctly. This will ensure that all the fresh air entering the dwelling has passed through the filter first.**

Fig. 3.

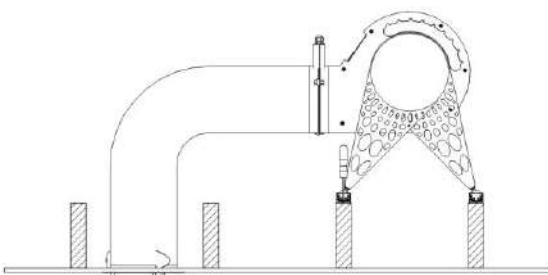
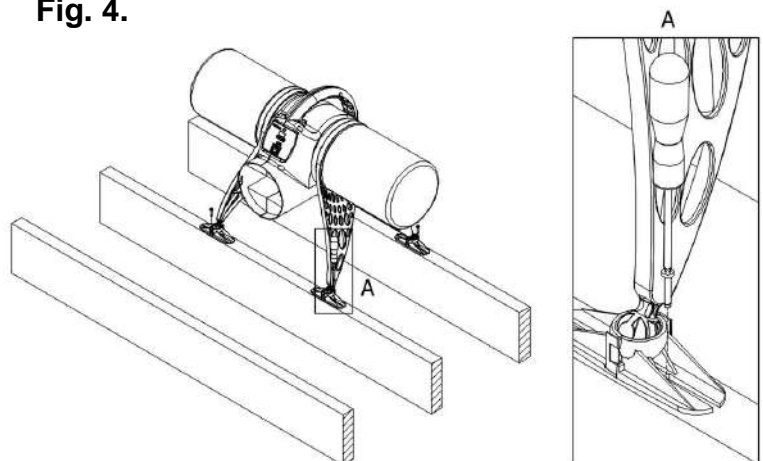
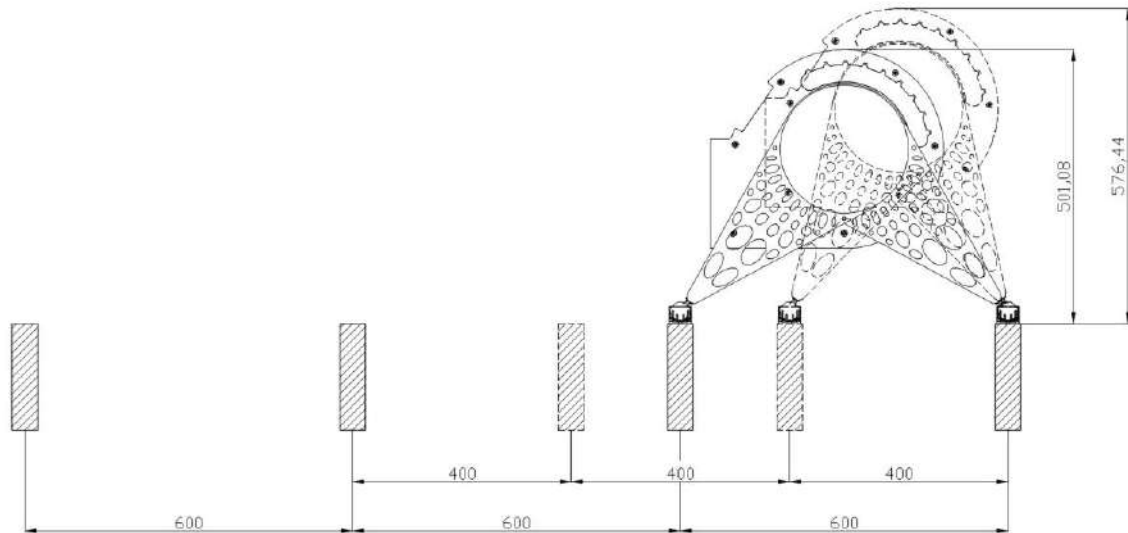


Fig. 4.



400-600mm Joist Dimensions with Unit Clearance Heights



E. DIFFUSER GRILLE:

IMPORTANT: PureAir Home FD models are provided with a different diffuser.
Please note: You cannot fit the heater unit to the diffuser on “FD” models.

The diffuser must be carefully sited to ensure the maximum effectiveness of the system. It should be fitted in the ceiling of a common area, ideally above the landing so that the incoming air can reach all the rooms.

Cut the flexible ducting to a suitable length, where possible stretch the ducting to its maximum extent and ensure that there is one continuous smooth bend to the diffuser. The ducting **must** remain a minimum of 1m in length.

Remove the loft insulation from the location of the diffuser and cut a 240-260mm dia hole in the ceiling.

Ensure the four locking tabs are folded in and then push the spigot in to the hole. Holding the diffuser in place; screw the four screws until the locking tabs are holding the diffuser tight against the ceiling (Fig.5). **It is important not to over tighten these screws as this may warp the diffuser.**

Fit the free end of the flexible ducting to the diffuser spigot using the worm drive clip supplied.

The diffuser should not be situated within 1m of a smoke detector, however if this is not possible the Lo-Carbon PureAir Home has provisions to blank off the airflow for up to two quadrants of the diffuser. Two blanking plates are provided; these should be pushed on to the support struts inside the diffuser as required. This should be done before the diffuser is installed in the ceiling as when the screws are tightened down the plates can no longer be removed. See Fig.6, showing blocking off opposing quadrants, note any 1 or pair of quadrants can be blocked off as necessary for the install. These block off plates can also be used to ensure the supply air is spread across a room rather than directed at close by walls.

Blanking off one side reduces the flow by about 6%, but blanking off two sides reduces the flow by about 20% and so if two sides are blanked off then you should consider increasing the fan speed to maintain the appropriate airflow.

Fig. 5.

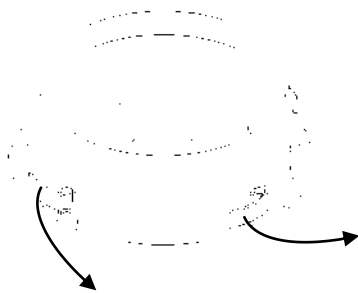
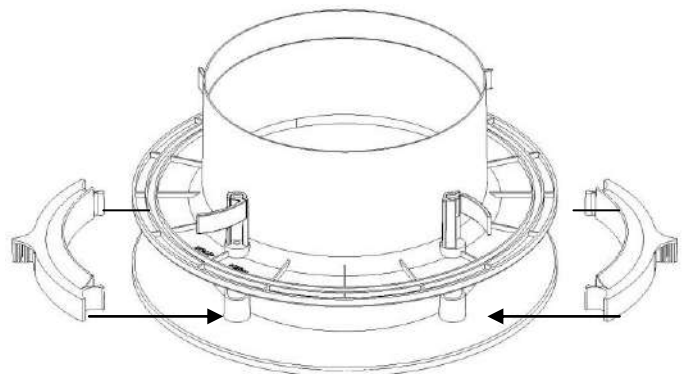


Fig. 6.

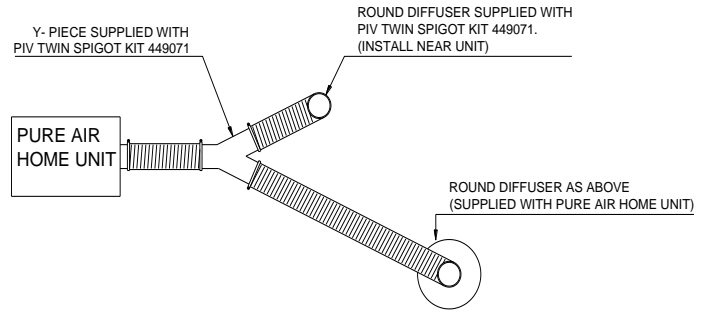


IMPORTANT

(Read only if installing with PIV twin spigot kit Ref:- 449071)

Ensure that the adjustable diffuser supplied with the kit is installed nearer to the PureAir Home unit than the round diffuser supplied with the unit. This allows both flows to be balanced.

Not to be used with FD models unless the diffuser supplied with the kit is replaced with diffuser part 475664



F. Heater Unit

The heater unit must not be located directly below a socket.
Please note: You cannot fit the heater unit to the diffuser on “FD” models.

The heater unit can be mounted either to the unit or to the diffuser spigot see Fig. 7, where fitted to the unit there are locating pins that fix the heater to the unit using a bayonet fitting and the locking screw. When fitted at the diffuser end, make sure the direction of the heater is facing the correct way, arrow label on heater must point towards diffuser. The power and sensor cables must be plugged in to the front of the fan unit see Fig. 8.

Fig. 7.

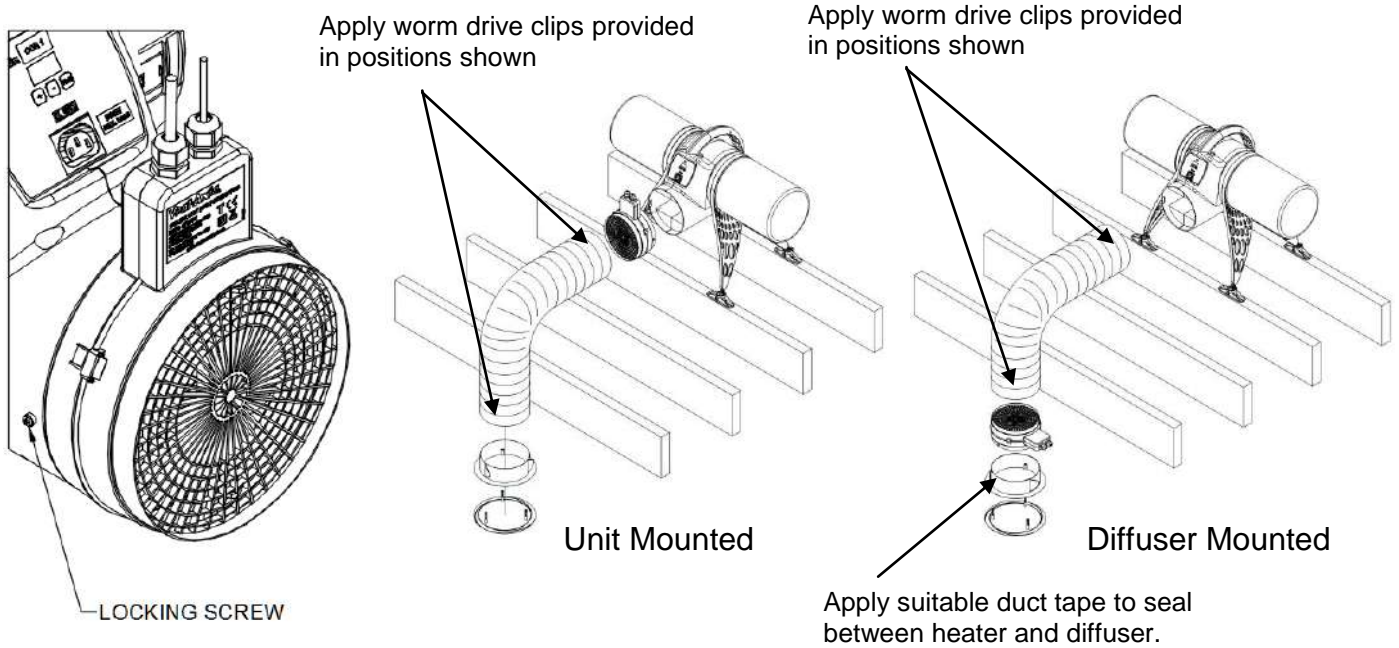


Fig. 8.



G. WIRING

A means for disconnection must be incorporated, in the fixed wiring in accordance with the wiring regulations.



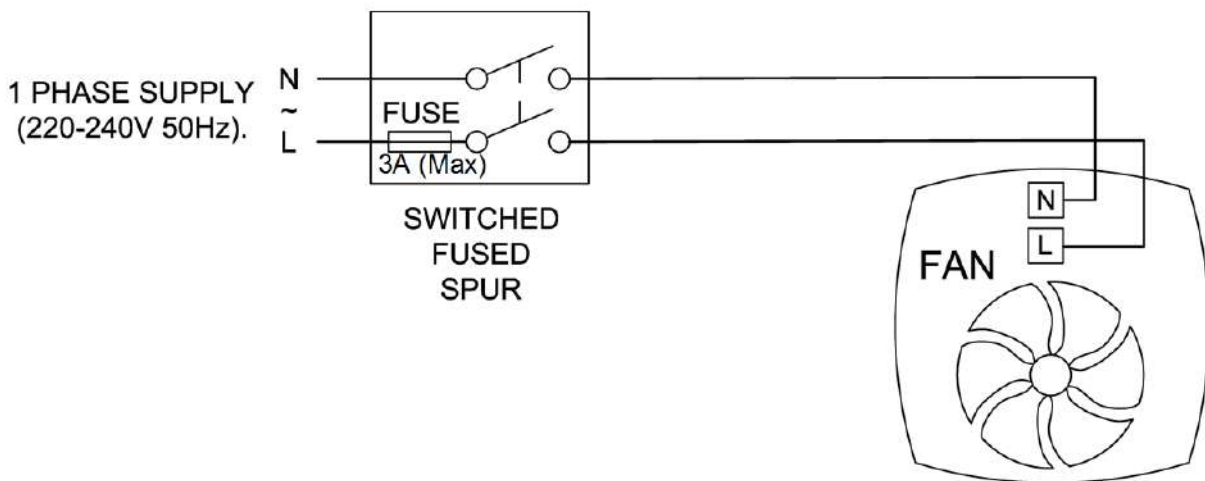
WARNING: THE POSITIVE VENTILATION UNIT AND ANCILLARY CONTROL EQUIPMENT MUST BE ISOLATED FROM THE POWER SUPPLY DURING THE INSTALLATION / OR MAINTENANCE.

Mains supply voltages (220-240V ac) are present in this equipment which may cause death or serious injury by electric shock. Only a qualified electrician or installer should connect the power supply to this unit. The Lo-Carbon PureAir Home is designed for operation from a single-phase alternating current source (220-240V AC).

A 2 m integral mains flying lead is connected to the unit for connection to a 3A switched fused spur. It should be capable of disconnecting all poles, having a contact separation of at least 3mm.

PureAir Home & PureAir Home with Heater unit:

- Ensure the local AC power supply is isolated.
- The product has a pre-wired flying lead. Connect the brown core to Live and the blue core to Neutral.
- Use cable clamps and clips to secure the cable, as appropriate.



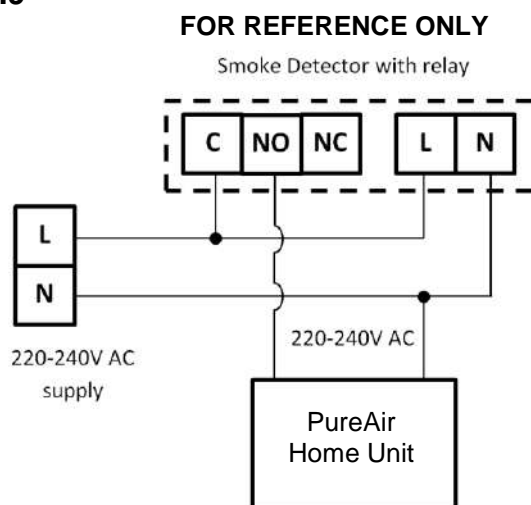
IMPORTANT:

PureAir Home FD models must be installed with a smoke alarm with a relay to ensure compliance with building regulations.

In order to have the product switch off in the event of a fire it must be wired using a smoke alarm with a relay system.

Use Fig.9 as a reference and refer to the instructions provided by the manufacturer of the smoke alarm and relay in order to wire the unit correctly. Ensure the relay works correctly by testing the fire alarm; the unit should switch off when the alarm is sounding.

Fig.9



H. START UP SEQUENCE

When the unit is switched on it will first run through a period of system checks. During this time the display will show various system parameters before the fan motor starts. After 10 seconds the product will be ready for commissioning.

I. COMMISSIONING

Accessing the Commissioning Menu (See page 10 for Commissioning Menu Structure)

If the fan is powered and the display is not lit then press any button to access the menu. After 30 seconds without menu activity the display will switch off, any changes to the settings will then be applied.

There are three buttons on the front of the unit:



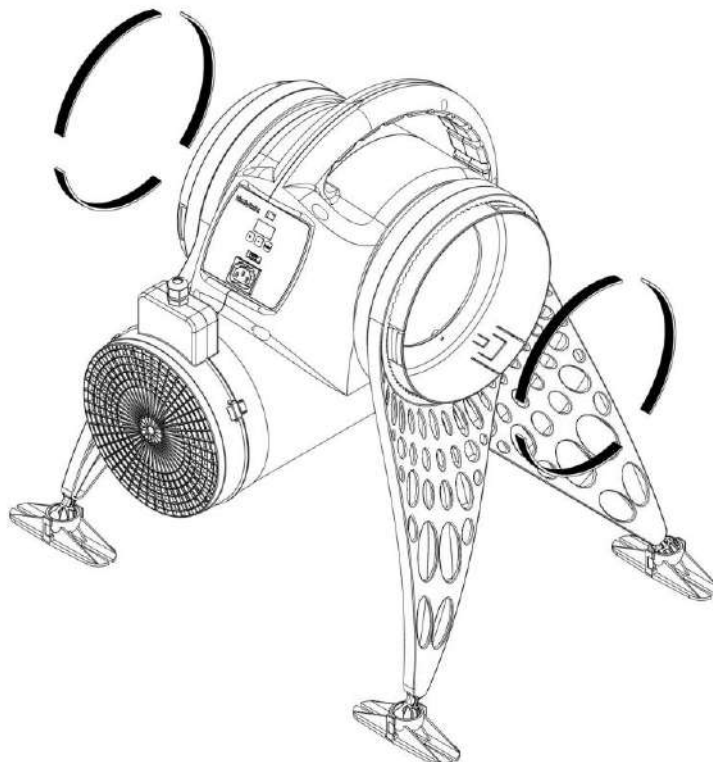
The + button is used to increase the value of a setting, the – button is used to reduce the value of a setting and the Mode button moves to the next menu item.

J. Lock feature

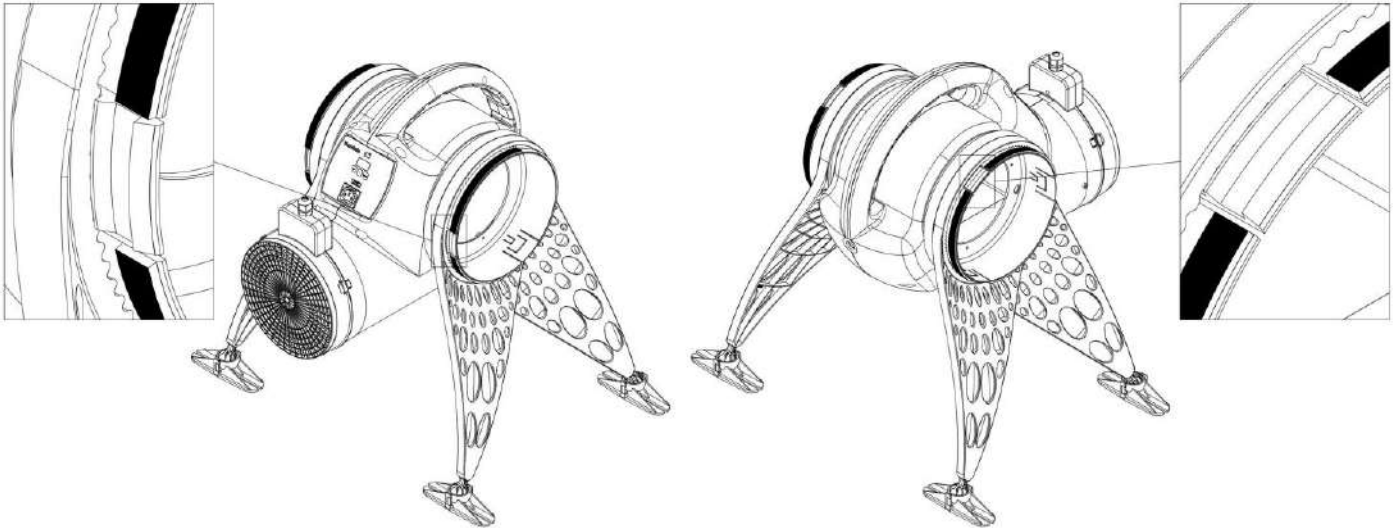
If the lock feature is enabled; when a button is pressed the display will show, – – –. At this point enter the three digit code by first pressing + or – until the first digit is correct then press MODE to move to the next digit. Repeat until the code is entered and press MODE to enter the commissioning menu. If the code is entered incorrectly, wait until the screen switches off then press any button to begin again.

K. AIR FILTER

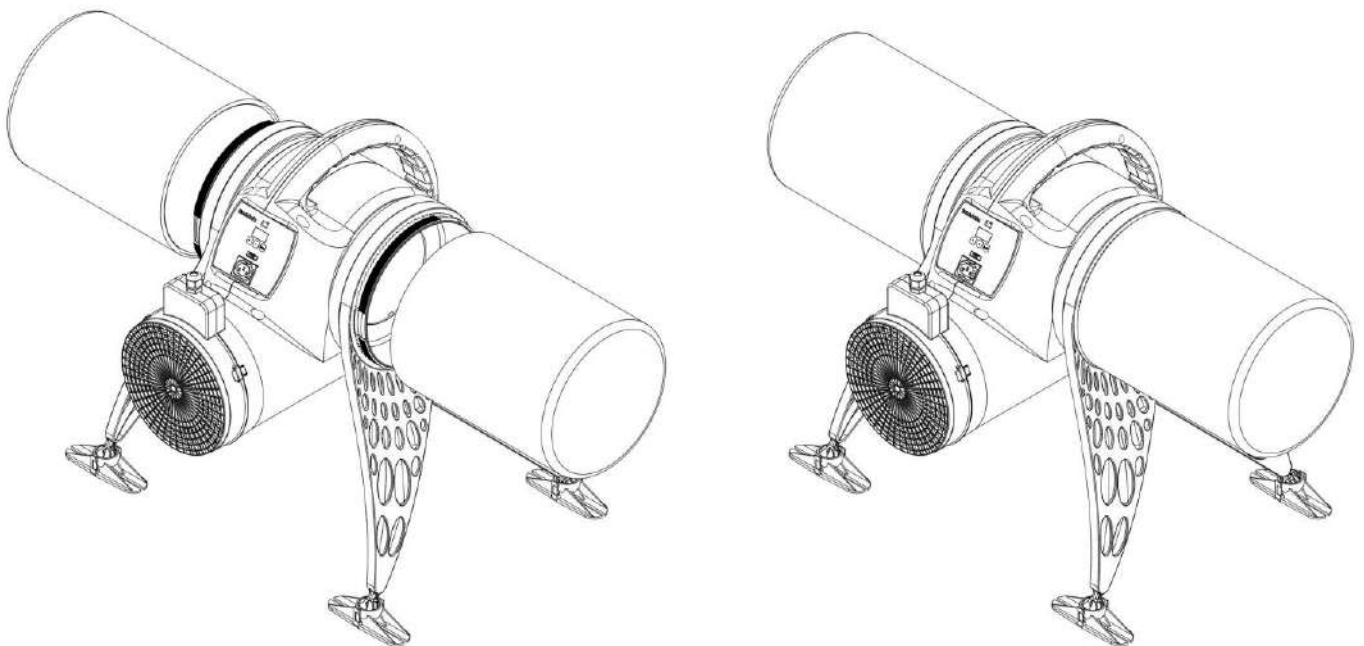
- Fitting the foam seals (x6) to spigot ends before fixing the filters.



- Line up the foam seals with the edge of the spigots, making sure not to cover spigot clips as shown.



- Then fit filters over foam, on to the spigot ends.

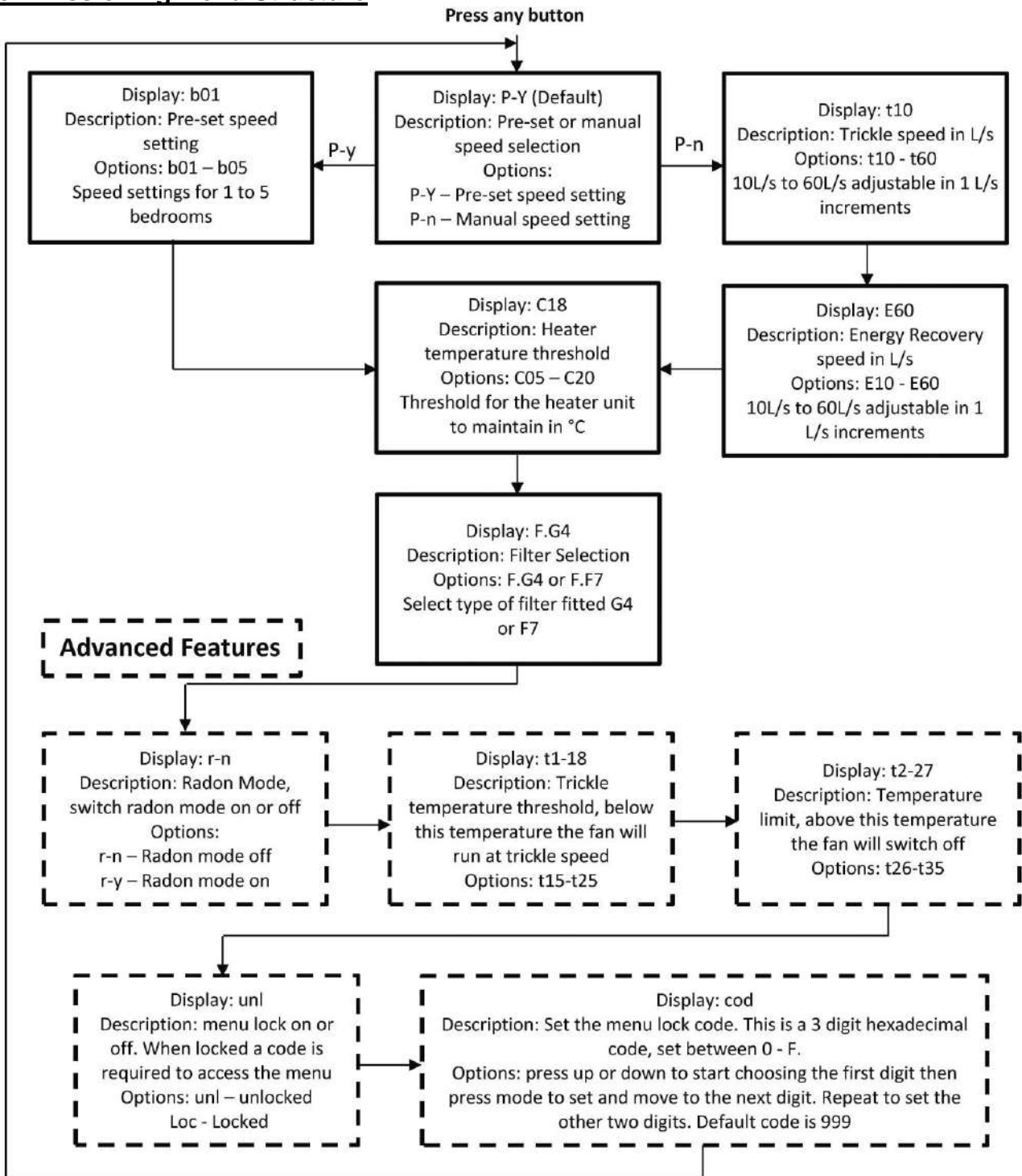


The Lo-Carbon PureAir Home is provided with G4 filters which are suitable for removing airborne contaminants such as pollen and dust.

Where improved filtration is required optional F7 filters can be used. These filters are effective at removing finer particles such as particulate emissions from diesel engines. In urban areas close to main roads F7 filters are advisable in order to ensure the supply air is clear of these particles which are potentially harmful to health.

Where F7 filters are fitted, please ensure the flow rate of the fan is as expected. F7 filters cause extra system resistance so it may be necessary to increase the fan speed to compensate.

Commissioning Menu Structure



For most installs the standard features allow for ample adjustability, however in some install situations the advanced features will improve the unit's performance or acceptability.

Radon mode keeps the fan running even at high temperatures to prevent the build-up of dangerous radon gas in the property. If this is not required it is recommended not to use this setting.

By reducing the **trickle speed threshold** the fan will run at higher speed more often, this would be helpful in a property with persistent damp problems.

Increasing the **temperature limit** will mean the fan will continue to run at higher temperatures, note radon mode being on means the unit will ignore this setting.

The **menu lock** feature will prevent the unit from being adjusted after commissioning as a pass code is required to access the menu. This can be set in the menu to any 3 digit hexadecimal combination.

L. Speed Settings

The Lo-Carbon PureAir Home has two speed settings, 'Trickle' and 'Energy Recovery'. 'Trickle' speed is automatically selected when the ambient loft temperature is **below 18°C**. 'Energy Recovery' is automatically selected when the ambient loft temperature is **between 18°C and 27°C**. If the ambient loft temperature exceeds 27°C, the Lo-Carbon PureAir Home automatically switches to standby (no airflow).

The speed settings on the Lo-Carbon PureAir Home are fully adjustable between 10L/s and 60L/s via the manual speed setting option. Alternatively there are 5 Pre-set speeds, the speed settings relate to the number of bedrooms with, for example, setting b03 being for a three bedroom dwelling. For the approximate flow rates at each setting see Fig.10. The PureAir Home must be set to provide adequate ventilation according to Part F of the building regulations.

Fig.10

No. Bedrooms	Trickle		Energy Recovery	
	L/s	Power (W)	L/s	Power (W)
1	13	2.2	25	3.6
2	17	2.6	31	4.8
3	21	3.2	38	5.5
4	25	3.6	44	7.5
5	29	4.3	50	11.5

The table shows a set up representative of a good low resistance install. When F7 filters and/or a long duct run are used it may be necessary to use the manual speed selection to meet the required flow rate.

It is the responsibility of the installer to ensure that appropriate speeds are selected.

M. SERVICING AND MAINTENANCE.



WARNING: THE POSITIVE VENTILATION UNIT AND ANCILLARY CONTROL EQUIPMENT MUST BE ISOLATED FROM THE POWER SUPPLY DURING THE INSTALLATION / OR MAINTENANCE.

The fan motor uses sealed ball bearings, and does not require further lubrication. Apart from filter change the Lo-Carbon PureAir Home contains no user serviceable parts. Under normal conditions; i.e. away from main roads and industrial areas it is recommended that the filter is checked annually and cleaned or replaced as necessary. Otherwise change as required. The filter may be gently cleaned with a vacuum cleaner or washed in a soapy water solution and allowed to air dry before re-fitting. Do not dry the filter in a tumble dryer. **When re-fitting make sure that the filter is fitted correctly. This will ensure that all the fresh air entering the dwelling has passed through the filter first.**

Below is a list of spares and accessories available for the PureAir Home:

Spares and Accessories	Part Number
F7 FILTER PACK	476401
HEATER UNIT	477626
1X REPLACEMENT MOUNTING LEG & FOOT	477627
HANGING KIT	477628
REPLACEMENT G4 FILTER PACK	477629
PIV TWIN SPIGOT KIT	449071
200mm DIAMETER 2m FLEXIBLE DUCTING	477748
REPLACEMENT DIFFUSER	477889
REPLACEMENT DIFFUSER FOR FD MODEL	475664
REPLACEMENT MOUNTING FOOT	478000
DIFFUSER ASSEMBY	478228
REPLACEMENT FOOT PACK	478000

PRODUCT FICHE

For Residential Ventilation Units (Complying Commission Delegated Regulation (EU) No 1254/2014)

Name:	Vent-Axia	Vent-Axia	Vent-Axia
Model ID (Stock Ref.) :	Lo-Carbon PureAir Home - 479090	Lo-Carbon PureAir Home - 479091	Lo-Carbon PureAir Home- 479092
SEC Class	B	B	B
SEC Value ('Average')	28.30	28.30	28.30
SEC Value ('Warm')	12.80	12.80	12.80
SEC Value ('Cold')	55.36	55.36	55.36
Label Required? (Yes/No=Out of scope)	No	No	No
Declared as: RVU or NRVU/UVU or BVU	RVU-UVU	RVU-UVU	RVU-UVU
Speed Drive	Variable Speed	Variable Speed	Variable Speed
Type HRS (Recuperative, Regenerative, None)	None	None	None
Thermal Eff: [(%), NA(if none)]	N/A	N/A	N/A
Max. Flow Rate (m3/h)	198.00	198.00	198.00
Max. Power Input (W): (@Max.Flow Rate)	14.00	14.00	14.00
LWA: Sound Power Level (dB)	35.53	35.53	35.53
Ref. Flow Rate (m3/s)	0.04	0.04	0.04
Ref. Pressure Diff. (Pa)	N/A	N/A	N/A
SPI [W/(m3/h)]	0.09	0.09	0.09
Control Factor & Control Typology: (CTRL/ Typology)			
Control Factor; CTRL	0.65	0.65	0.65
Control Typology	Local Demand Control	Local Demand Control	Local Demand Control
Declared: -Max Internal & External Leakage Rates(%) for BVUs or carry over (for regenerative heat exchangers only), -&Ext. Leakage Rates (%) for Ducted UVUs;	N/A	N/A	N/A
Mixing Rate of Non-Ducted BVUs not intended to be equipped with one duct connection on either supply or extract air side;	N/A	N/A	N/A
Position and description of visual filter warning for RVUs intended for use with filters, including text pointing out the importance of regular filter changes for performance and energy efficiency of the unit	N/A	N/A	N/A
For UVUs (Instructions Install Regulated Supply/Extract Grilles Façade)	In F&W	In F&W	In F&W
Internet Address (for Disassembly Instructions)	www.vent-axia.com	www.vent-axia.com	www.vent-axia.com
Sensitivity p. Variation@+20/-20 Pa: (for Non-Ducted Vus)	N/A	N/A	N/A
Air Tightness-ID/OD-(m3/h) (for Non-Ducted Vus)	N/A	N/A	N/A
Annual Electricity Consumption: AEC (kWh/a)	0.46	0.46	0.46
Annual Heating Saved: AHS (kWh/a)			
AHS: Average	28.30	28.30	28.30
AHS: Warm	12.80	12.80	12.80
AHS: Cold	55.36	55.36	55.36



Disposal

This product should not be disposed of with household waste. Please recycle where facilities exist. Check with your local authority for recycling advice.

The **Vent-Axia** Guarantee

Applicable only to products installed and used in the United Kingdom. For details of guarantee outside the United Kingdom contact your local supplier.

Vent-Axia Guarantees this product for 5 years from date of purchase, (7 year warranty if purchased and installed by a recommended contractor) against faulty material or workmanship. In the event of any part being found to be defective, the product will be repaired, or at the Company's option replaced, without charge, provided that the product:-

- Has been installed and used in accordance with the instructions given with each unit.
- Has not been connected to an unsuitable electricity supply. (The correct electricity supply voltage is shown on the product rating label attached to the unit).
- Has not been subjected to misuse, neglect or damage.
- Has not been modified or repaired by any person not authorised by the company.

IF CLAIMING UNDER TERMS OF GUARANTEE

Please return the complete product, carriage paid to your original supplier or nearest Vent-Axia Centre, by post or personal visit. Please ensure that it is adequately packed and accompanied by a letter clearly marked "Guarantee Claim" stating the nature of the fault and providing evidence of date and source of purchase.

The guarantee is offered to you as an extra benefit, and does not affect your legal rights

Vent-Axia

Head Office: Fleming Way, Crawley, West Sussex, RH10 9YX.

UK NATIONAL CALL CENTRE, **Newton Road, Crawley, West Sussex, RH10 9JA**

SALES ENQUIRIES: Tel: 0344 8560590 Fax: 01293 565169

TECHNICAL SUPPORT: Tel: 0344 8560594 Fax: 01293 532814

For details of the warranty and returns procedure please refer to www.vent-axia.com or write to Vent-Axia, Fleming Way, Crawley, RH10 9YX

479369 D

0220