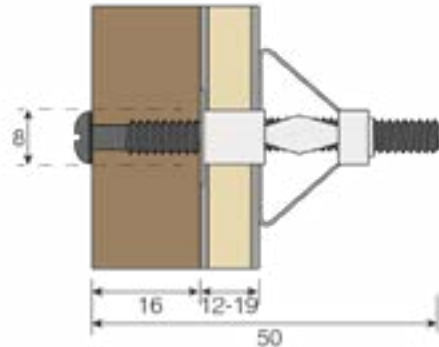


Product Code: CC-04200

Description: M4 Small Hollow Wall Anchors



### Dimensions

Thread Length (mm)	50
Thread Size	M4
Drill Size (mm)	8
Maximum Fixture Thickness (mm)	16
Plasterboard Thickness (mm)	12-19

### General Information

Head Type	Pozi & Slotted Pan Head
-----------	-------------------------

### Materials

Material: Zinc Plated Steel

### Additional Information

The two claws around the edge of the anchor penetrate the building material which prevent the fixing from rotating and helps ensure a secure installation.  
Suitable for plasterboard, cavity walls and ceilings. For installing shelving, hooks and bathroom accessories

