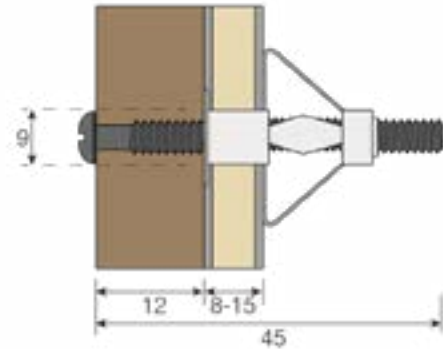


Product Code: CC-04202

Description: M5 Medium Hollow Wall Anchors



Dimensions

Thread Length (mm)	45
Thread Size	M5
Drill Size (mm)	9
Maximum Fixture Thickness (mm)	12
Plasterboard Thickness (mm)	8-15

General Information

Head Type	Pozi & Slotted Pan Head
-----------	-------------------------

Materials

Material:	Zinc Plated Steel
-----------	-------------------

Additional Information

The two claws around the edge of the anchor penetrate the building material which prevent the fixing from rotating and helps ensure a secure installation.
Suitable for plasterboard, cavity walls and ceilings. For installing shelving, hooks and bathroom accessories

