



MASTER VALUE LEDs pot LV



MASTER LED SPOT VLE D 7.5-50W MR16 940 36D

Philips MASTER VALUE MR16 is the series of Low Voltage (12 VAC) Halogen MR16 replacements. Not only does it employ Philips' patented solution to guarantee the broadest possible compatibility with standard 12 V Halogen electronic transformers, it also delivers beam intensity which is equivalent to the 50 W Philips Halogen MR16 lamps. The form-factor of Philips MASTER Value LED MR16 guarantees a 100% form on the back-side of the lamp (exact fit with Halogen lamps.)

Warnings and Safety

- Operating temperature range is between -20° C and 45° C ambient
- Only to apply in dry or damp locations and most of open fixtures with lamp-holders that offer sufficient space (10 mm free air space)
- Not intended for use with emergency light fixtures or exit lights

Product data

General Information		Colour designation	
Cap base	GU5.3	Colour designation	Cool White (CW)
Nominal lifetime	25,000 h	Correlated Colour Temperature	4000 K
Switching Cycle	50,000	Colour consistency	<6
Lighting Technology	LED	Colour rendering index (CRI)	90
Flux measurement reference	Narrow Cone	LLMF at end of nominal lifetime (nom.)	70 %
Light Technical		Luminous flux in 90° cone (rated)	660 lm
Colour Code	940 [CCT of 4000K]	Photobiological safety according to EN 62471	RG1
Beam angle (nom.)	36 degree(s)	Operating and Electrical	
Luminous Flux	660 lm	Line Frequency	- Hz
Luminous intensity (nom.)	1,500 cd	Input frequency	- Hz
Luminous efficacy (rated) (nom.)	88.00 lm/W	Power Consumption	7.5 W
		Lamp current (nom.)	660 mA

MASTER VALUE LEDspot LV

Wattage equivalent	50 W
Starting time (nom.)	0.5 s
Warm-up time to 60% light	0.5 s
Power Factor (Fraction)	0.7
Voltage (nom.)	ac electronic 12 V

Temperature

T-Case maximum (nom.)	95 °C
-----------------------	-------

Controls and Dimming

Dimmable	Only with specific dimmers
----------	----------------------------

Mechanical and Housing

Bulb shape	MR16
------------	------

Approval and Application

Energy Efficiency Class	F
Suitable for accent lighting	Yes
Energy consumption kWh/1,000 hours	8 kWh
EPREL registration number	453182
CE mark	Yes

EU RoHS compliant	Yes
EyeComfort	Yes

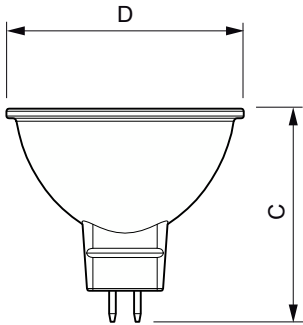
Application Conditions

Can it be used in closed luminaires	No
-------------------------------------	----

Product Data

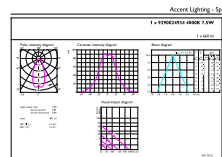
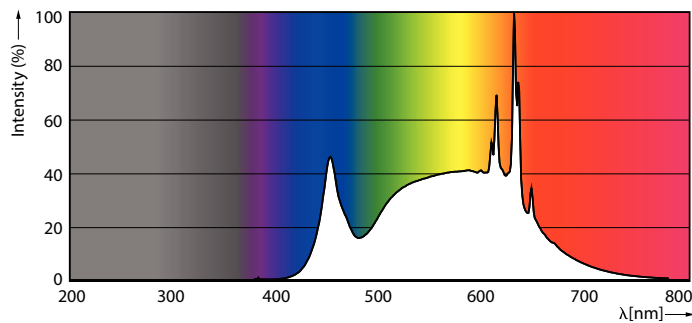
Order product name	MAS LED SPOT VLE D 7.5-50W MR16 940 36D
Full product name	MASTER LED SPOT VLE D 7.5-50W MR16 940 36D
Full EOC	871951430736000
Order code	30736000
Material no. (12 NC)	929002493402
Numerator – quantity per pack	1
Net Weight (Piece)	0.045 kg
EAN/UPC – Product/Case	8719514307360
Numerator – packs per outer box	10
EAN/UPC - Case	8719514307377

Dimensional drawing



Product	D	C
MAS LED SPOT VLE D 7.5-50W MR16 940 36D	50.5 mm	45.5 mm

Photometric data

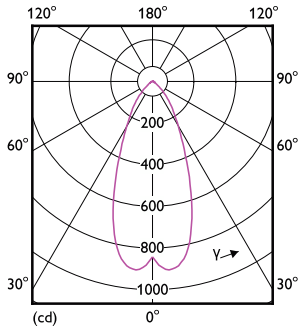


Spectral Power Distribution Colour - MAS LED SPOT VLE D 7.5-50W MR16 940 36D

Accent Lighting Spots - MAS LED SPOT VLE D 7.5-50W MR16 940 36D

MASTER VALUE LEDspot LV

Photometric data



Light Distribution Diagram - MAS LED SPOT VLE D 7.5-50W MR16 940 36D

Lifetime



Life Expectancy Diagram



Lumen Maintenance Diagram - MAS LED SPOT VLE D 7.5-50W MR16 940 36D

