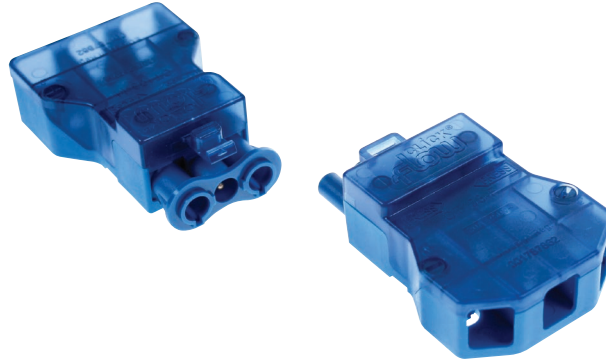


**Product Code:** CT103C

**Description:** 250V~ 20A 3 Pole Complete (Fast-Fit Cable Clamps) Connector



### General Information

<b>CT103F Dimensions (mm)</b>	75 (W) x 50 (D) x 25 (H)	
<b>CT103M Dimensions (mm)</b>	73 (W) x 50 (D) x 25 (H)	
<b>Minimum Aperture Diameter (mm)</b>	55	
<b>Finish</b>	Blue	
<b>Materials</b>	Cover: Polycarbonate	Base & Terminal Housing: Nylon (PA66)
	Terminals: Silver Plated Brass	Terminal Screws: Steel and Yellow Passivated
<b>Rated Voltage (V~) (Ue)</b>	250	<b>Frequency (Hz)</b> 50
<b>Resistive Load Rating (A)</b>	20	
<b>Rated Impulse Voltage (kV)</b>	4	
<b>Recommended Inner Core Strip Length (mm)</b>	L & N: 35; E: 43	
<b>Recommended Conductor Strip Length (mm)</b>	10	
<b>Termination Type</b>	Screw	
<b>Terminal Size (mm)</b>	Ø4.2	<b>Terminal Torque Value (Nm)</b> 0.8
<b>Terminal Capacity - Solid (mm²)</b>	3 x 2.5	
<b>Terminal Capacity - Flex (mm²)</b>	3 x 1.5	
<b>Termination Layout (Male)</b>	(CT103M) N - E - L	
<b>Termination Layout (Female)</b>	(CT103F) L - E - N - Loop	
<b>Cable Restraint Supplied</b>	Yes	
<b>Ingress Protection</b>	IP20	
<b>Operational Temperature (°C)</b>	-5 to +40	
<b>Warranty (Years)</b>	10	

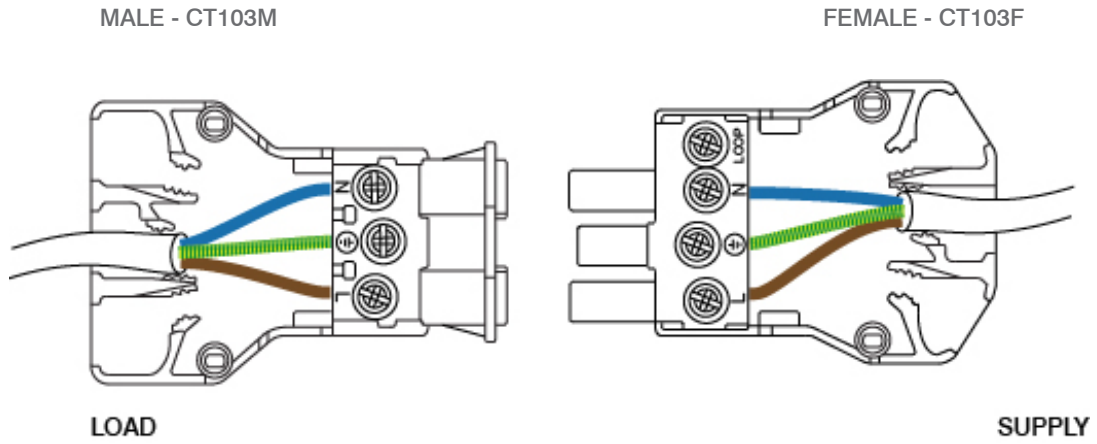
### Additional Information

For cleaning / polishing of products, use only a soft, dry, clean cloth. Ensure that the mains supply is isolated before commencing installation. Always refer to the circuit diagram supplied with the relevant product. Bare earth cables must always be covered with appropriate sleeving and wired to the earth terminal. Any dangerous compatibility between different manufactures installation coupler systems is not automatically prevented by compliance with IEC 61535.

Product Code: CT103C

Description: 250V~ 20A 3 Pole Complete (Fast-Fit Cable Clamps) Connector

## Wiring Example



UK Design Registration: 3015621