



MASTER VALUE LEDs pot LV



MASTER LED spot VLE D 5.8-35W MR16 940 36D

Philips MASTER VALUE MR16 is the series of Low Voltage (12 VAC) Halogen MR16 replacements. Not only does it employ Philips' patented solution to guarantee the broadest possible compatibility with standard 12 V Halogen electronic transformers, it also delivers beam intensity which is equivalent to the 50 W Philips Halogen MR16 lamps. The form-factor of Philips MASTER Value LED MR16 guarantees a 100% form on the back-side of the lamp (exact fit with Halogen lamps.)

Warnings and Safety

- Operating temperature range is between -20° C and 45° C ambient
- Only to apply in dry or damp locations and most of open fixtures with lamp-holders that offer sufficient space (10 mm free air space)
- Not intended for use with emergency light fixtures or exit lights

Product data

General Information	
Cap base	GU5.3
Nominal lifetime	25,000 h
Switching Cycle	50,000
Lighting Technology	LED
Flux measurement reference	Narrow Cone

Light Technical	
Colour Code	940 [CCT of 4000K]
Beam angle (nom.)	36 degree(s)
Luminous Flux	490 lm
Luminous intensity (nom.)	1,200 cd
Luminous efficacy (rated) (nom.)	84.00 lm/W

Colour designation	Cool White (CW)
Correlated Colour Temperature	4000 K
Colour consistency	<6
Colour rendering index (CRI)	90
LLMF at end of nominal lifetime (nom.)	70 %
Luminous flux in 90° cone (rated)	490 lm
Photobiological safety according to EN 62471	RG1

Operating and Electrical	
Line Frequency	- Hz
Input frequency	- Hz
Power Consumption	5.8 W
Lamp current (nom.)	510 mA

MASTER VALUE LEDspot LV

Wattage equivalent	35 W
Starting time (nom.)	0.5 s
Warm-up time to 60% light	0.5 s
Power Factor (Fraction)	0.7
Voltage (nom.)	ac electronic 12 V

Temperature

T-Case maximum (nom.)	85 °C
-----------------------	-------

Controls and Dimming

Dimmable	Only with specific dimmers
----------	----------------------------

Mechanical and Housing

Bulb shape	MR16
------------	------

Approval and Application

Energy Efficiency Class	F
Suitable for accent lighting	Yes
Energy consumption kWh/1,000 hours	6 kWh
EPREL registration number	453175
CE mark	Yes

EU RoHS compliant	Yes
EyeComfort	Yes

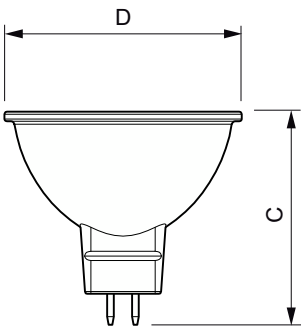
Application Conditions

Can it be used in closed luminaires	No
-------------------------------------	----

Product Data

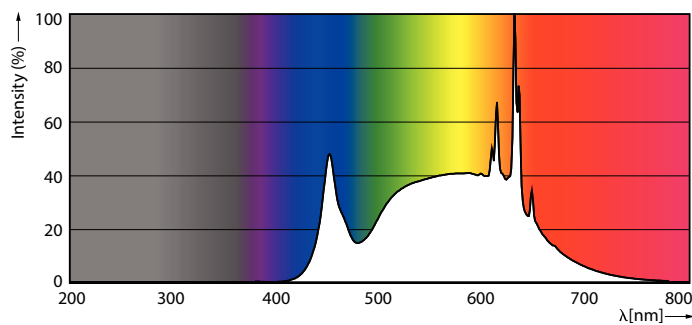
Order product name	MAS LED spot VLE D 5.8-35W MR16 940 36D
Full product name	MASTER LED spot VLE D 5.8-35W MR16 940 36D
Full EOC	871951430722300
Order code	30722300
Material no. (12 NC)	929002492702
Numerator – quantity per pack	1
Net Weight (Piece)	0.045 kg
EAN/UPC – Product/Case	8719514307223
Numerator – packs per outer box	10
EAN/UPC - Case	8719514307230

Dimensional drawing

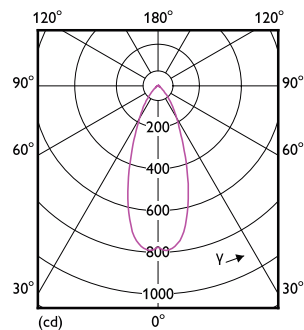


Product	D	C
MAS LED spot VLE D 5.8-35W MR16 940 36D	50.5 mm	45.5 mm

Photometric data



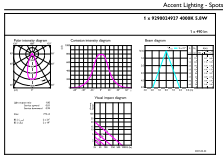
Spectral Power Distribution Colour - MAS LED spot VLE D 5.8-35W MR16 940 36D



Light Distribution Diagram - MAS LED spot VLE D 5.8-35W MR16 940 36D

MASTER VALUE LEDspot LV

Photometric data



© Koninklijke Philips N.V. | Philips Lighting B.V. | Page 11

Accent Lighting Spots - MAS LED spot VLE D 5.8-35W MR16 940 36D

Lifetime



Life Expectancy Diagram



Lumen Maintenance Diagram - MAS LED spot VLE D 5.8-35W MR16 940 36D

