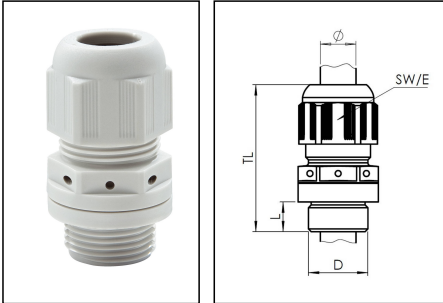


## ESVG 20 LG

Pressure compensation cable gland, polyamide



Products may differ in size, colour and appearance to those shown. If you require further information or customisation, please contact us directly.



|                          |                                |
|--------------------------|--------------------------------|
| Material cable gland     | Polyamide                      |
| Material membrane        | ePTFE                          |
| Material sealing gasket  | EPDM                           |
| Airflow at 70mbar        | 42 LH                          |
| Temp. range min          | -40 °C                         |
| Temp. range max          | 100 °C                         |
| Glow wire test           | 750 °C                         |
| Protection class         | IP68 / IP69                    |
| Thread type              | M                              |
| Ø Connection thread D    | 20                             |
| Lead                     | 1,5                            |
| Length screw-in thread L | 10 mm                          |
| Ø cable diameter min     | 6 mm                           |
| Ø cable diameter max     | 13 mm                          |
| Key width SW             | 24 mm                          |
| Collar diameter (E)      | 27 mm                          |
| Install. torques fitting | 3 N/m                          |
| Install. torques cap nut | 3 N/m                          |
| Total length TL          | 41 mm - 50 mm                  |
| Equipment                | Incl. connection thread gasket |
| Product Color            | RAL 7035                       |
| Order no. RAL 7035       | 10060974                       |
| Type                     | ESVG 20 LG                     |
| Packing unit             | 1                              |
| EAN number               | 4007685609746                  |

Your Contact:

WISKA UK Ltd.

Unit 7, Hurling Way · St. Columb Major Business Park · TR9 6SX, St. Columb Major, Cornwall · Great Britain

☎ +44-12-08816062 · 📠 +44-12-08816708

info@wiska.co.uk · www.wiska.co.uk

|                            |          |
|----------------------------|----------|
| <b>Tariff number</b>       | 39269097 |
| <b>ETIM-Classification</b> | EC000441 |

## Recommended accessories

|                      |          |
|----------------------|----------|
| <b>EMUG 20 LG</b>    | 10060772 |
| <b>MFD 20/02/065</b> | 10060953 |
| <b>RDE 20</b>        | 10062185 |
| <b>BS 13</b>         | 10064010 |
| <b>MFD 20/03/040</b> | 10064341 |
| <b>MFD 20/02/060</b> | 10064395 |
| <b>MFD 20/03/045</b> | 10102306 |

10.05.2023

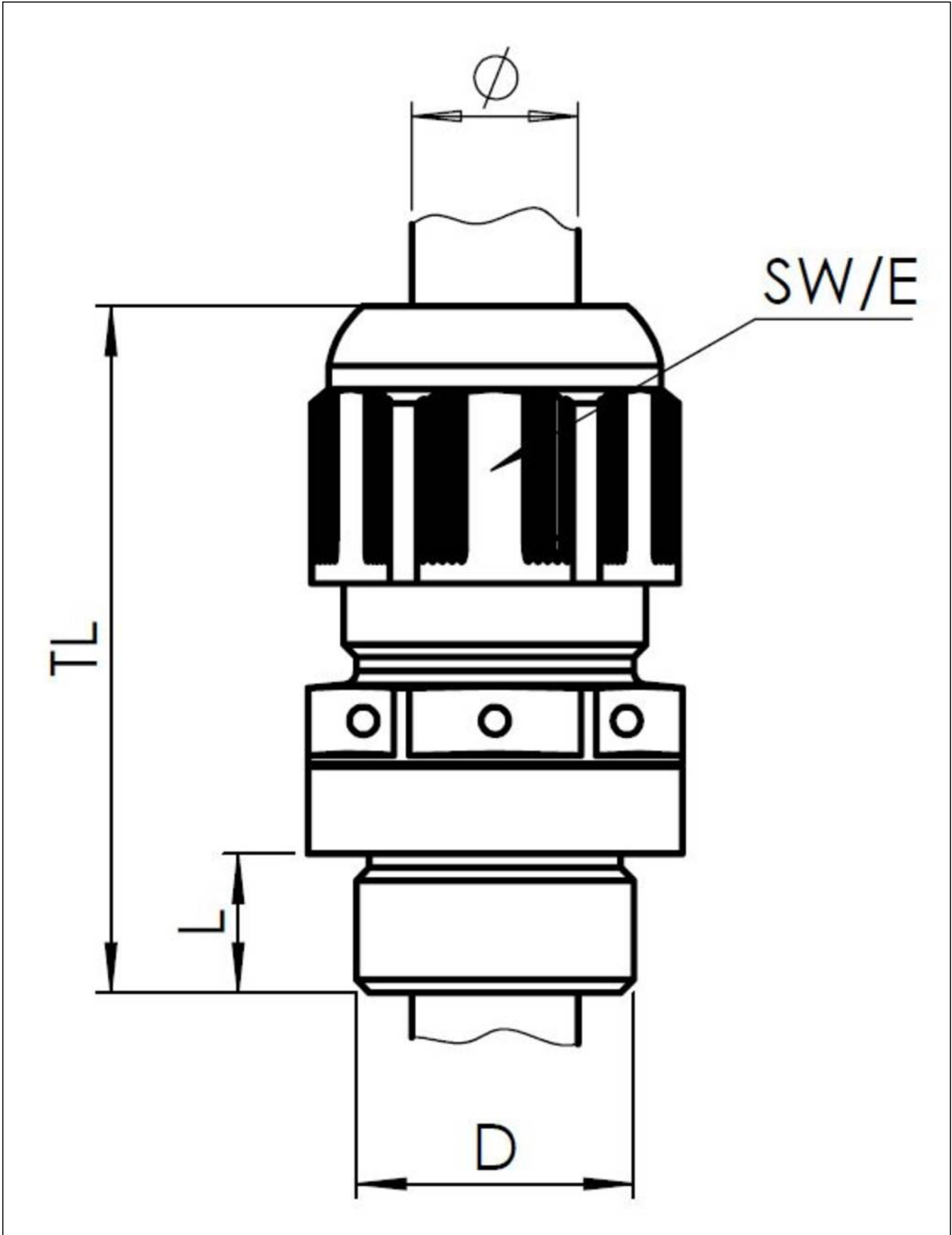
Your Contact:

**WISKA UK Ltd.**

Unit 7, Hurling Way · St. Columb Major Business Park · TR9 6SX, St. Columb Major, Cornwall · Great Britain

☎ +44-12-08816062 · 📠 +44-12-08816708

info@wiska.co.uk · www.wiska.co.uk



Your Contact:

**WISKA UK Ltd.**

Unit 7, Hurling Way · St. Columb Major Business Park · TR9 6SX, St. Columb Major, Cornwall · Great Britain

☎ +44-12-08816062 · 📠 +44-12-08816708

info@wiska.co.uk · www.wiska.co.uk