

PLUG IN TIMERS

Mechanical & Electronic

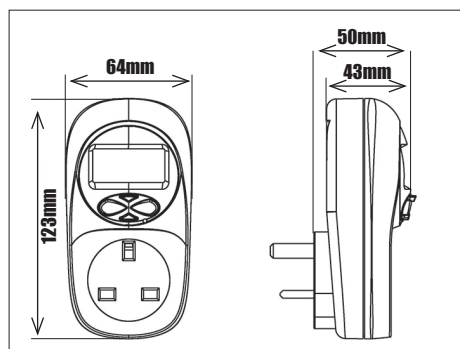
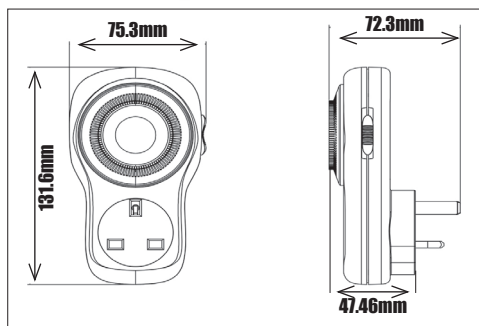
- + Creates the impression your home is occupied
- + Energy saving - automatically switches Off your appliance
- + Home security - switches lights/radios On & Off when nobody is at home
- + Manual override facility
- + Easy to set
- + 1 year guarantee



T73A



T17B



	T73A	T17B
Description	24 Hour Mechanical Plug-in Timer	7 Day Electronic Plug-in Timer
Max Current	13A (3kW) Resistive Load 2A Inductive Load	13A (3kW) Resistive Load 2A Inductive Load
Product Finish	White	White
Barcode	5012739628443	5012739606380
Product Weight	132.5g	165g
Product Dimensions	H131 x W76 x D46mm (exl pins)	H123 x W64 x D53mm
Rated Voltage	230V AC 50Hz	230V AC 50Hz
Class Type	II	II
Operating Temperature	-10°C to +55°C	-10°C to +55°C
Shortest Switching Time	15 Minutes	1 Minute
Display	Mechanical	Electronic
Battery Back Up	-	150 Hours
Manual Override	Yes	Yes
Settings	96 On/Off, On/Timed/Off Switch Selector	24 On/Off, Countdown Random & Summertime Setting Options
Guarantee	1 Year	1 Year
Conforms To	BS EN 60730-2 BS EN 1363	BS EN 60730-2 BS EN 1363