



Product Description: EFD[™] PRO Fixed / IP Rated Professional Fire Rated Downlight

The EFD[™] PRO is our new range of stylish and professional fire rated GU10 downlights. Perfect for use with our market leading range of ICE[™] lamps, the EFD[™] PRO range is also fitted with our latest push-fit terminal block for even faster installation. The cast aluminium bezels for fixed, adjustable and IP65 rated options are available in four colour finishes to cover all applications.

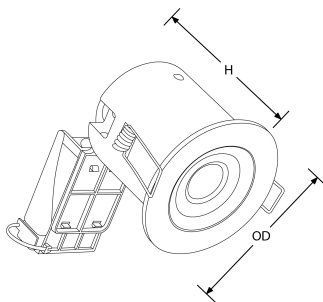
SKU Code

EN-DLM981X

Line Drawing

Polar Curve

Colour



Feature & Benefits

- Push-fit terminal block with loop in/loop out for installation
- Interchangeable twist & lock bezels available in white, matt white, polished chrome and satin nickel (sold separately)
- Fibre based insulation coverable up to 300mm (LED only)
- For a fixed version use EN-DLM981X & EN-BZ91
- For IP65 rated use EN-DLM981X & EN-BZ93
- Tested in 30, 60 and 90 min fire rated ceilings
- Fire tested with solid timber, ijoist and metal web joists
- 5 year warranty

Product Specs:

Input Voltage	220~240V AC	Input Frequency	50/60HZ
IP Rating	IP20	Lamp Base	GU10
Overall Diameter (mm)	90	Weight (Kg)	0.161
Height (mm)	107	Product Type	Downlights,Fire-Rated Downlight
Cutout Diameter (mm)	75-75		

Compliance & Approvals:



Warranty:

This product has a warranty period of 5 Years. Warranties may be available on certain products as indicated in the product description. Warranties are valid from the date of purchase. The warranty is invalid in the case of improper use, installation, tampering, removal of the Q.C. date label or installation in an improper working environment or installation. Should this product fail during the warranty period it will be replaced free of charge, subject to the correct installation of the original product and subsequent return of the faulty unit. Aurora does not accept responsibility for any installation costs associated with the replacement of this product and Aurora reserves the right to alter specifications without prior notice.