

Air Curtain



COMFORT

- 3 heat settings
- Fan only setting for air circulation
- Automatic safety cut-out for thermal overload protection
- Fitted with integral switches

EASE OF INSTALLATION

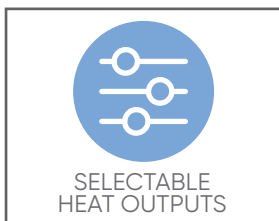
- 3kW & 4.5kW models
- Wall mounting bracket supplied
- Alternatively, the heater can be suspended, wall or trunking mounted
- Optional remote switch



A welcoming curtain of warmth for doorways in shops, hotels, offices and other commercial premises.



Site an air curtain above a frequently opened external door to help prevent heat loss and save energy.

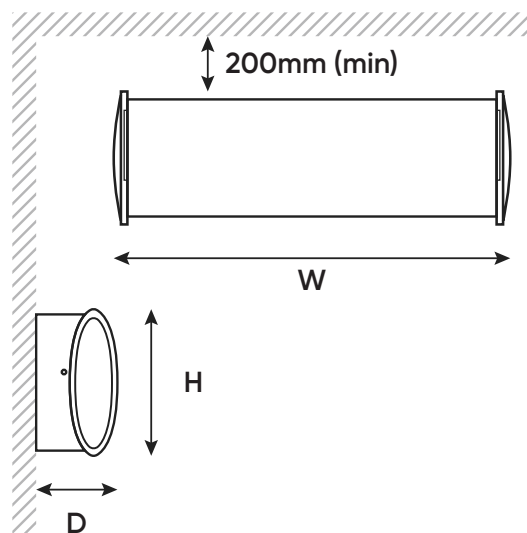


AIR CURTAIN TECHNICAL DATA

OUTPUT (W)	DEPTH (MM)	WIDTH (MM)	HEIGHT (MM)	WEIGHT (KG)	MODEL
3000	115	634	210	5.1	AH303000
4500	115	634	210	5.1	AH304500



- 1 Inlet grill
- 2 Wall mounting bracket
- 3 Output selection



Dimensions in mm.

We reserve the right to change specification without prior notice. Please check final dimensions with your local representative before purchase.