



Technical Data

Compact RCBO Type A

Brief product description:

This Residual Current Circuit Breaker with Overload Protection provides superior protection for both people and circuits in a single module. The compact design clips onto standard 35mm DIN rail but the shorter body makes it easier to install in consumer units alongside other devices such as MCBs and RCDs, saving space and making wiring easier.

The BG compact RCBO suitable from 6A to 32A in both B and C curve with a 30mA trip sensitivity.

Device capable of being locked on or off positions using a device lock.

Features:

- Stylish modern profile, matches other BG devices
- Type A with > 6mA Pulsed DC detection
- Single module
- Positive contact status indicator
- Available from 6 to 40A rating
- 6kA breaking capacity
- Available in B or C type
- Small compact size

Product Images



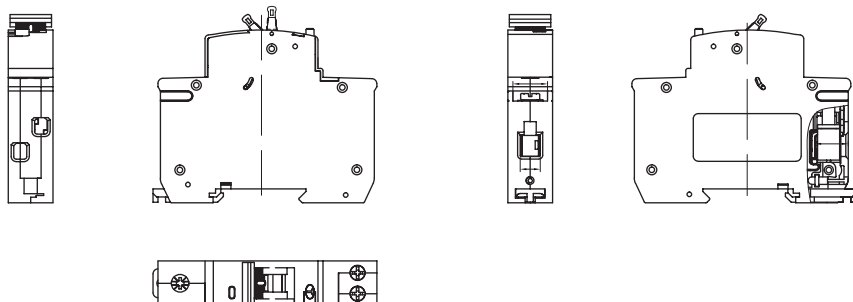
Compact RCBO Type A

Technical Specifications

Standard (s)	EN/ IEC 61009-1
Max Current Rating	6, 10, 16, 20, 32, 40A
Breaking Capacity	6000A
Operating Voltage	230V AC 50Hz
RCD Type	Type A
Rated Tripping Current	30 mA
Number of Poles	1P + N (1 module)
IP Rating	IP2XC
Installation	On 35mm DIN Rail
Terminal Capacity	4-10mm ²
Terminal Torque	2Nm
Endurance Operations	Electrical 10,000, Mechanical 20,000

Compact RCBO Type A

Line Diagrams



Packaging Information

Cat No.	Description	Packaging Type			Pack Quantity			Barcode		
		Product	Inner Box	Outer Box	Each	Inner Box	Outer Box	Individual	Inner Box	Outer Box
CUCRB6A	B Type 6A	Printed box	/	Carton	1	5	50	5050765180238	5050765180245	5050765180252
CUCRB10A	B Type 10A	Printed box	/	Carton	1	5	50	5050765180269	5050765180276	5050765180283
CUCRB16A	B Type 16A	Printed box	/	Carton	1	5	50	5050765180290	5050765180306	5050765180313
CUCRB20A	B Type 20A	Printed box	/	Carton	1	5	50	5050765180320	5050765180337	5050765180344
CUCRB32A	B Type 32A	Printed box	/	Carton	1	5	50	5050765180351	5050765180368	5050765180375
CUCRB40A	B Type 40A	Printed box	/	Carton	1	5	50	5050765180382	5050765180399	5050765180405
CUCRC6A	C Type 6A	Printed box	/	Carton	1	5	50	5050765180412	5050765180429	5050765180436
CUCRC10A	C Type 10A	Printed box	/	Carton	1	5	50	5050765180443	5050765180450	5050765180467
CUCRC16A	C Type 16A	Printed box	/	Carton	1	5	50	5050765180474	5050765180481	5050765180498
CUCRC20A	C Type 20A	Printed box	/	Carton	1	5	50	5050765180504	5050765180511	5050765180528
CUCRC32A	C Type 32A	Printed box	/	Carton	1	5	50	5050765180535	5050765180542	5050765180559
CUCRC40A	C Type 40A	Printed box	/	Carton	1	5	50	5050765180566	5050765180573	5050765180580

Weights & Dimensions

Cat No.	Description	Dimension (L x W x D) (cm)			Weight (Kg)			CBM (m ³)
		Product	Inner Box	Outer Box	Each	Inner Box	Outer Box	
CUCRB6A	B Type 6A	7.6 x 3.5 x 9.3	19.0 x 10.0 x 8.5	45 x 27 x 21	0.149	1.6	16.5	0.02
CUCRB10A	B Type 10A	7.6 x 3.5 x 9.3	19.0 x 10.0 x 8.5	45 x 27 x 21	0.149	1.6	16.5	0.02
CUCRB16A	B Type 16A	7.6 x 3.5 x 9.3	19.0 x 10.0 x 8.5	45 x 27 x 21	0.149	1.6	16.5	0.02
CUCRB20A	B Type 20A	7.6 x 3.5 x 9.3	19.0 x 10.0 x 8.5	45 x 27 x 21	0.149	1.6	16.5	0.02
CUCRB32A	B Type 32A	7.6 x 3.5 x 9.3	19.0 x 10.0 x 8.5	45 x 27 x 21	0.149	1.6	16.5	0.02
CUCRB40A	B Type 40A	7.6 x 3.5 x 9.3	19.0 x 10.0 x 8.5	45 x 27 x 21	0.149	1.6	16.5	0.02
CUCRC6A	C Type 6A	7.6 x 3.5 x 9.3	19.0 x 10.0 x 8.5	45 x 27 x 21	0.149	1.6	16.5	0.02
CUCRC10A	C Type 10A	7.6 x 3.5 x 9.3	19.0 x 10.0 x 8.5	45 x 27 x 21	0.149	1.6	16.5	0.02
CUCRC16A	C Type 16A	7.6 x 3.5 x 9.3	19.0 x 10.0 x 8.5	45 x 27 x 21	0.149	1.6	16.5	0.02
CUCRC20A	C Type 20A	7.6 x 3.5 x 9.3	19.0 x 10.0 x 8.5	45 x 27 x 21	0.149	1.6	16.5	0.02
CUCRC32A	C Type 32A	7.6 x 3.5 x 9.3	19.0 x 10.0 x 8.5	45 x 27 x 21	0.149	1.6	16.5	0.02
CUCRC40A	C Type 40A	7.6 x 3.5 x 9.3	19.0 x 10.0 x 8.5	45 x 27 x 21	0.149	1.6	16.5	0.02

Installation Information

To fit device onto DIN rail, fit top of device onto rail first and then push down bottom of device until retaining device clip 'clicks' and locks onto DIN rail.

When fitting please ensure Main Switch is butted firmly against 'pip' on far right hand side of the DIN rail.

To remove device, pull out retaining device clip from bottom of Switch (using flat screwdriver) and remove by lifting bottom part of Switch first.

Technical Helpline: 03300 249 279

If in doubt consult a competent electrician.