

JC39431

LED - Lantern

LED Lantern Bottom Arm Cast 7.5W 270lm 4000K IP44

Features & Benefits

- Bottom Arm LED Lantern
- Decorative outdoor wall lantern
- IP44 protection against dust and moisture
- Integrated LED light source
- Durable die-cast aluminium construction



WARRANTY



RATING



CLASS I



CRI:RA

General Information

Product Group	LED - Lantern
Product Range	LED Lantern
Trade Name	LED Lantern
Light Source	LED
Light Source Features	Neutral White
Mounting	Wall
Color Finish	Black
Overall Dimensions	195 x 215 x 170mm
Recommended Product Location	Wall mount only
Method Of Fix	Screw Fix Mounting Plate to Wall Using Suitable Fixings
IP Rating	IP44
Environment	Outdoor
Suitable For Zones	Zone 2 and outside
Origin of manufacturer	China
Warranty	2 year standard warranty (See Website for terms and

Driver Manufacturer
LED Manufacturer/Type
Lighting Product Type 1

conditions)
Driver on Board
Dacol DC-P2835 (Mains Chip)
Wall Light

Electrical

Voltage Rating **220-240**
Operating Frequency Hz **50/60Hz**
Luminaire Circuit Wattage **7.5W**
Class **Class I**
Total Harmonic Distortion (THD)% **0.0199**
Input Electrical Connections **live, earth, neutral**
Dimmable **no**

Performance Data

LED Life (Hours) **36000**

Hours life stated is an indication of expected L70 chip and light output calculations when operating in optimum conditions. Product warranty period supports the full product during the term given. The L70 hours expectancy is not correlated with the full product warranty term, nor is it a representation of lumen depreciation during the warranty period.

Energy Rating **This product contains a light source of energy efficiency class G**
Actual Lumen Output **290**
Lumens Per Circuit Watt **41**
Color Rendering Index **80-89**
CRI: Ra **80**
Correlated Color Temperature **4000K**
Photometry Available **Yes**

Construction

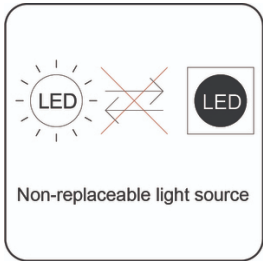
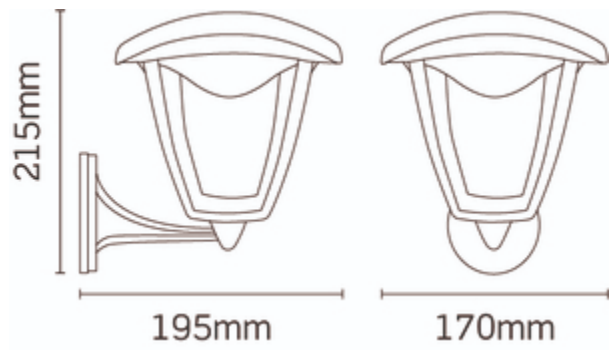
Primary Material **Aluminum**

Packaging

Product Packaged Weight **6.65kg**
Quantity Per Outer Carton **6**
Product Bar Code EAN-13 Number **5052544080692**

Standards & Approvals

Manufactured In Accordance To **BS EN 60598-2-1-2015**
CE Marked **Yes**
UKCA Marked **Yes**
WEEE Symbol **Yes**
Certificate Of Conformity **Available on request**



JCC Lighting LTD Innovation Centre, Beeding Close, Southern Cross Trading Estate, Bognor Regis, West Sussex PO22 9TS
Sales: 01243 838999 (8am to 5pm Monday to Friday) Fax: 01243 838998 | sales@jcc.co.uk | www.jcc.co.uk
Company Registration Number: 03044848 | VAT Number: 918544112

This document is uncontrolled if printed, all information is subject to change

Version 55 [23 Apr 2021]