



# VX100SP

## bathroom fans

Models: **VX100-SP, VX100T-SP, VX100P-SP**

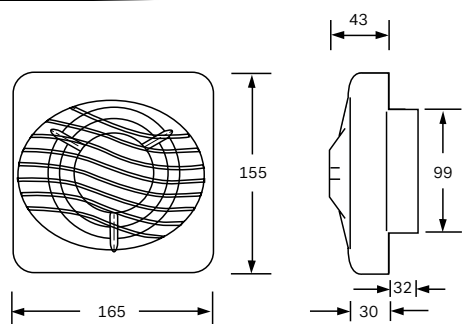
A range of single speed extract fans with a short spigot, ideal for shallow wall or ceiling installations.

Compact and easy to install, the range is designed for bathrooms, shower rooms and ensuites, and all models include a lubricated for life motor with cut-out protection. Available in standard, timer and pullcord variants.

### Technical Details

	VX100-SP	VX100T-SP	VX100P-SP
No. of Speeds	1	1	1
Power (W)	12	12	12
Duct Size (mm)	100	100	100
Flow rate (l/s)	21	21	21
Flow rate (m3/h)	76	76	76
Noise dB(A)3m	41	41	41
Specific Fan Power SFP (W/l/s)	0.57	0.57	0.57
IPX Rating	IPX4	IPX4	IPX4
Motor Type	AC	AC	AC
Pullcord			✓
Timer (90s–30mins)		✓	
Integral backdraught shutter	X	X	X
Height (mm)	155	155	155
Width (mm)	165	165	165
Depth (mm)	75	75	75
Packed Weight (kg)	0.8	0.8	0.8
Packed Height (mm)	180	180	180
Packed Width (mm)	180	180	180
Packed Depth (mm)	90	90	90
Colour	White	White	White

### Dimensions



Model numbers:	Barcodes:	Part Numbers:
<b>VX100-SP</b>	5013562929356	92935AW
<b>VX100T-SP</b>	5013562929318	92931AW
<b>VX100P-SP</b>	5013562929363	92936AW

Product type:  
**4"/100mm axial fan**  
Model range:  
**Domestic Bathroom Fans**

**2 Year  
Guarantee**

**Country of Origin**  
Ireland

