



CorePro LEDspot LV



CorePro LED spot ND 7-50W MR16 840 36D

CorePro LEDspots are a perfect fit for spot lighting and deliver warm halogen-like light. They are compatible with most existing fixtures with MR16 GU5.3 holders and are designed as a retrofit replacement for halogen or incandescent spots. LEDlamps deliver huge energy savings and minimize maintenance cost.

Product data

General Information	
Cap base	GU5.3
Nominal lifetime	15,000 h
Switching Cycle	50,000
Lighting Technology	LED
Flux measurement reference	Narrow Cone
Light Technical	
Colour Code	840 [CCT of 4000K]
Beam angle (nom.)	36 degree(s)
Luminous Flux	660 lm
Luminous intensity (nom.)	1,500 cd
Luminous efficacy (rated) (nom.)	94.00 lm/W
Colour designation	Cool White (CW)
Correlated Colour Temperature	4000 K
Colour consistency	<6
Colour rendering index (CRI)	80
LLMF at end of nominal lifetime (nom.)	70 %
Luminous flux in 90° cone (rated)	660 lm
Operating and Electrical	
Line Frequency	- Hz
Input frequency	- Hz

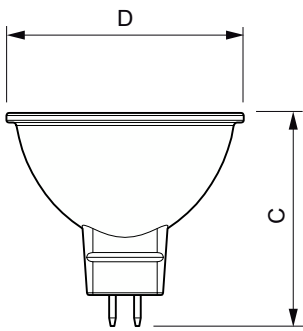
Power Consumption	7 W
Lamp current (nom.)	730 mA
Wattage equivalent	50 W
Starting time (nom.)	0.5 s
Warm-up time to 60% light	0.5 s
Power Factor (Fraction)	0.8
Voltage (nom.)	12 V
Temperature	
T-Case maximum (nom.)	85 °C
Controls and Dimming	
Dimmable	No
Mechanical and Housing	
Bulb shape	MR16
Approval and Application	
Energy Efficiency Class	F
Suitable for accent lighting	Yes
Energy consumption kWh/1,000 hours	7 kWh
EPREL registration number	465223
CE mark	Yes

CorePro LEDspot LV

EU RoHS compliant	Yes
EyeComfort	Yes
Application Conditions	
Can it be used in closed luminaires	No
Product Data	
Order product name	CorePro LED spot ND 7-50W MR16 840 36D
Full product name	CorePro LED spot ND 7-50W MR16 840 36D
Full EOC	871869681479600

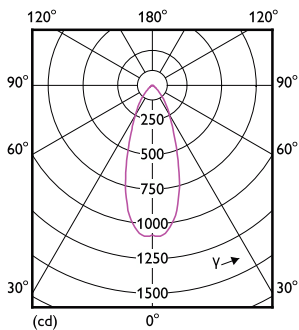
Order code	81479600
Material no. (12 NC)	929001905002
Numerator – quantity per pack	1
Net Weight (Piece)	0.034 kg
EAN/UPC – Product/Case	8718696814796
Numerator – packs per outer box	10
EAN/UPC – Case	8718696814802

Dimensional drawing

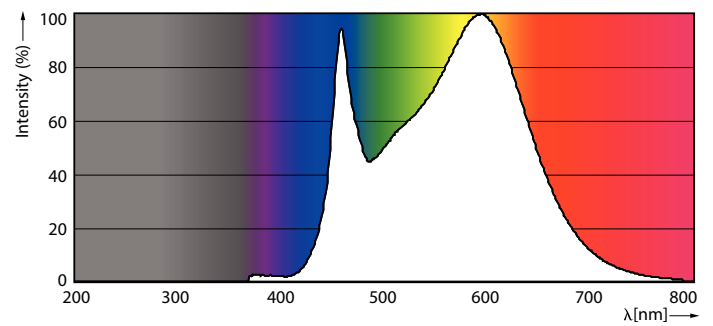


Product	D	C
CorePro LED spot ND 7-50W MR16 840 36D	50.5 mm	45 mm

Photometric data



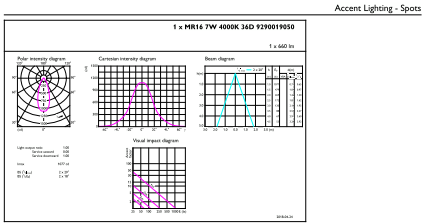
Light Distribution Diagram - CorePro LED spot ND 7-50W MR16 840 36D



Spectral Power Distribution Colour - CorePro LED spot ND 7-50W MR16 840 36D

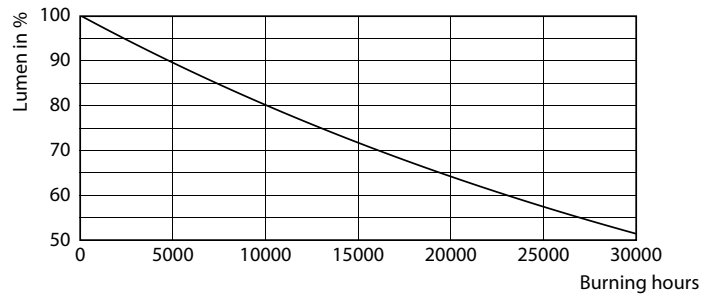
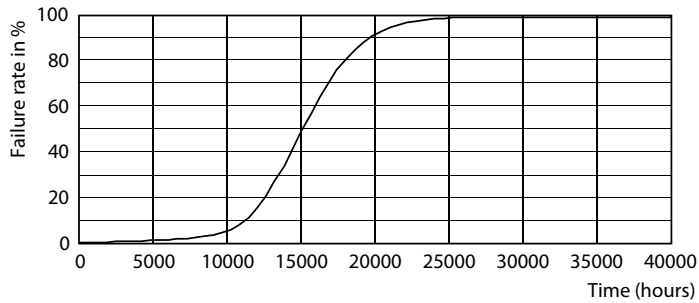
CorePro LEDspot LV

Photometric data



Accent Lighting Spots - CorePro LED spot ND 7-50W MR16 840 36D

Lifetime



LEDspot Corepro 7-50W GU5.3 MR16 827 36D ND

Lumen Maintenance Diagram - CorePro LED spot ND 7-50W MR16 840 36D

