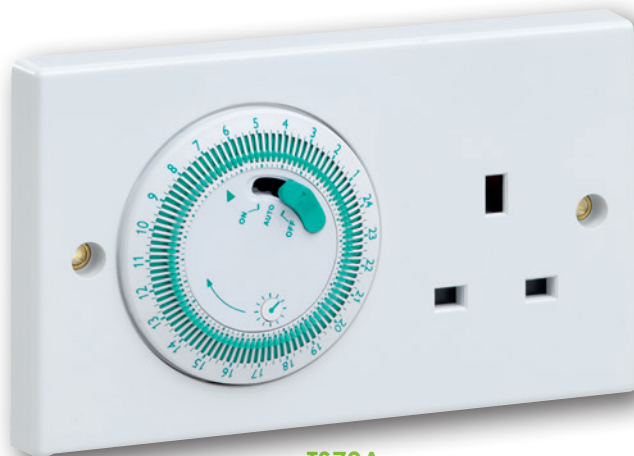


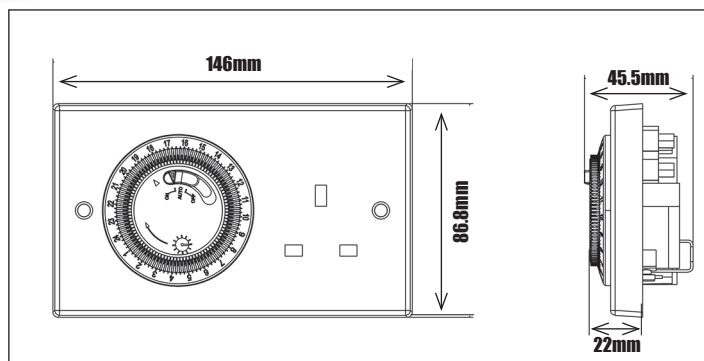
TIMER SOCKET 13A

with 24hr Mechanical Timer

- + Simply replaces your normal socket with the added benefit of a timer application
- + To be fitted in plastic dry lining or plastic surface boxes
- + 96 'ON' & 'Off' settings
- + Easy to set segmets
- + Manual override facility
- + Can be installed into PENC2G IP66 weatherproof twin enclosure
- + 1 year guarantee



TS70A



	TS70A
Description	Timer Socket 13A with 24 hour mechanical timer
Max Load	13A Resistive Load 4A Inductive Load
Product Finish	White
Barcode	5012739607776
Product Weight	155g
Product Dimensions	H146 x W86.8 x D22mm
Voltage	230V AC 50Hz
Power Consumption	0.9W
Operating Temperature	-5°C to +40°C
Shortest Switching Time	15 Minutes
Programmable	15 Minutes
Display	Mechanical - Analogue Clock Face
Settings	96 On & Off On/ Timed/off Switch Selector
Guarantee	1 Year
Conforms To	BS 1363-2 BS EN 60730, BS EN 60730-2-7