

JC050005

Toughflood Commercial

Toughflood Commercial 70W 6300lm 90lpcW 4000K IP65 Black

Features & Benefits

- Up to 90 LpcW
- Driver less technology, instant start up
- Polycarbonate Diffuser: Suitable for food preparation
- 2M pre-wired H05RN-F cable for exterior applications
- ADC12 die-cast aluminium body, corrosion resistant, lightweight for easier installation
- Easy access installation with 55° angled Galvanized steel bracket
- 110° beam angle
- Installation height of up to 5 metres



RATING



CLASS I



BEAM



CRI:RA



WARRANTY



RATING

General Information

Product Range

Trade Name

Light Source

Light Source Features

Product Shape

Mounting

Product Weight

Color Finish

Overall Dimensions

Recommended Product Location

Method Of Fix

IP Rating

Environment

Origin of manufacturer

Warranty

Commercial Exterior

Toughflood

LED

Neutral White

Rectangular

Wall

1.15kg

Black

262 x 198 x 36mm

Exterior, general security lighting

Mounting Bracket with suitable fixings (not supplied)

IP65

Outdoor

China

2 years standard warranty extends to 3 years when registered within the first year of purchase (See Website for

Driver Manufacturer
LED Manufacturer/Type
Lighting Product Type 1

terms and conditions)
No driver, mains LED Chips
Optoelectronics 2835
Wall Light

Electrical

Voltage Rating **220-240**
Primary Running Current **0.35A**
Operating Frequency Hz **50/60Hz**
Luminaire Circuit Wattage **70W**
Class **Class I**
EMC Compliant (EN55015) **Yes**
Power Factor Correction **0.9**
Input Electrical Connections **Live, Earth and Neutral**
Dimmable **No**
Supplied cable rating **2M pre-wired H05RN-F**

Thermals

Operating Temperature Range **-20°C to 40°C**

Performance Data

LED Life (Hours) **54000**

Hours life stated is an indication of expected L70 chip and light output calculations when operating in optimum conditions. Product warranty period supports the full product during the term given. The L70 hours expectancy is not correlated with the full product warranty term, nor is it a representation of lumen depreciation during the warranty period.

Energy Rating **This product contains a light source of energy efficiency class F**
Actual Lumen Output **6300**
Lumens Per Circuit Watt **90**
Standard Deviation Colour Matching - SDCM **<6**
Color Rendering Index **50-79**
CRI: Ra **70**
Correlated Color Temperature **4000K**
Light Distribution Detail **110-degree**
LOR (Light Output Ratio) % **100**
Photometry Available **Yes**

Controls and Sensors

Installation Height **5m max**

Construction

Primary Material **ADC12 die-cast aluminium**

Outer Diffuser

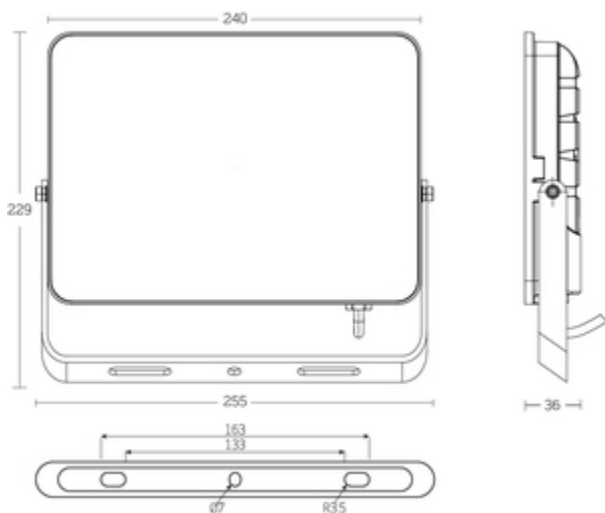
Opaque Polycarbonate

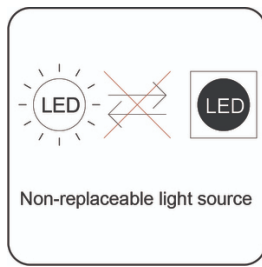
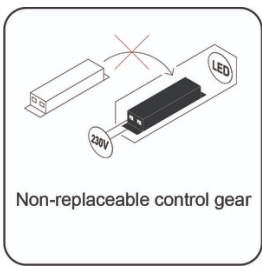
Packaging

Product Carton Dimensions	27.4 x 24.5 x 4.5 cm
Product Packaged Weight	1.3kg
Quantity Per Outer Carton	10
Outer carton(L)- cm	47.0
Outer carton(W)- cm	28.6
Outer carton(H)- cm	25.7
Outer carton overall dimensions	47 x 28.6 x 25.7cm
Outer carton Net weight- kg	13.00kg
Outer carton Gross weight- kg	13.50kg
Product Bar Code EAN-13 Number	5052544105975
Outer carton Bar Code ITF-14 Number	15052544105972

Standards & Approvals

Manufactured In Accordance To	BS EN 60598-2015,2-1,2-5
CE Marked	Yes
UKCA Marked	Yes
Date code/Purchase order No.	Yes
WEEE Symbol	Yes
Certificate Of Conformity	Yes, available on request
Accredited Members	LIA, ISO9001:2015, ISO14001:2015





JCC Lighting LTD Innovation Centre, Beeding Close, Southern Cross Trading Estate, Bognor Regis, West Sussex PO22 9TS
Sales: 01243 838999 (8am to 5pm Monday to Friday) Fax: 01243 838998 | sales@jcc.co.uk | www.jcc.co.uk
Company Registration Number: 03044848 | VAT Number: 918544112

This document is uncontrolled if printed, all information is subject to change

Version 62 [23 Apr 2021]