

JC39433

## LED - Lantern

LED Lantern Top Arm Cast 7.5W 270lm 4000K IP44

### Features & Benefits

- Decorative outdoor wall lantern
- IP44 protection against dust and moisture
- Integrated LED light source
- Durable die-cast aluminium construction



WARRANTY



RATING



CLASS I



CRI:RA

### General Information

Product Group	LED - Lantern
Product Range	LED Lantern
Trade Name	LED Lantern
Light Source	LED
Light Source Features	Neutral White
Mounting	Wall
Color Finish	Black
Overall Dimensions	195 x 215 x 170mm
Recommended Product Location	Wall mount only
Method Of Fix	Screw Fix Mounting Plate to Wall Using Suitable Fixings
IP Rating	IP44
Environment	Outdoor
Suitable For Zones	Zone 2 and outside
Origin of manufacturer	China
Warranty	2 year standard warranty (See Website for terms and

Driver Manufacturer  
LED Manufacturer/Type  
Lighting Product Type 1

conditions)  
Driver on Board  
Dacol DC-P2835 (Mains Chip)  
Wall Light

## Electrical

Voltage Rating	220-240
Operating Frequency Hz	50/60Hz
Luminaire Circuit Wattage	7.5W
Class	Class I
Total Harmonic Distortion (THD)%	0.0199
Input Electrical Connections	live, earth, neutral
Dimmable	no

## Performance Data

LED Life (Hours)	36000
------------------	-------

Hours life stated is an indication of expected L70 chip and light output calculations when operating in optimum conditions. Product warranty period supports the full product during the term given. The L70 hours expectancy is not correlated with the full product warranty term, nor is it a representation of lumen depreciation during the warranty period.

Energy Rating	This product contains a light source of energy efficiency class G
Actual Lumen Output	290
Lumens Per Circuit Watt	41
Color Rendering Index	80-89
CRl: Ra	80
Correlated Color Temperature	4000K
Photometry Available	Yes

## Construction

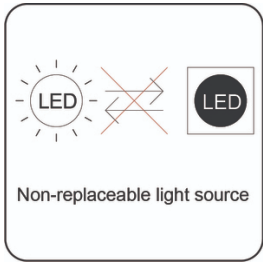
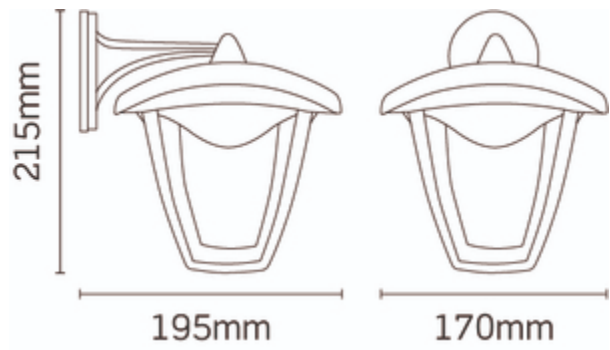
Primary Material	Aluminum
------------------	----------

## Packaging

Product Packaged Weight	6.82kg
Quantity Per Outer Carton	6
Product Bar Code EAN-13 Number	5052544080715

## Standards & Approvals

Manufactured In Accordance To	BS EN 60598-2-1-2015
CE Marked	Yes
UKCA Marked	Yes
WEEE Symbol	Yes
Certificate Of Conformity	Available on request



---

JCC Lighting LTD Innovation Centre, Beeding Close, Southern Cross Trading Estate, Bognor Regis, West Sussex PO22 9TS  
Sales: 01243 838999 (8am to 5pm Monday to Friday) Fax: 01243 838998 | [sales@jcc.co.uk](mailto:sales@jcc.co.uk) | [www.jcc.co.uk](http://www.jcc.co.uk)  
Company Registration Number: 03044848 | VAT Number: 918544112

This document is uncontrolled if printed, all information is subject to change

Version 55 [23 Apr 2021]