

**Model: Studio G DXSTG25 Ceramic Tower Heater**

08/51280/0 Issue 5

---

**IMPORTANT: THESE INSTRUCTIONS SHOULD BE READ CAREFULLY AND RETAINED FOR FUTURE REFERENCE**

---

This product is only suitable for well insulated spaces or occasional use.

## 1. IMPORTANT SAFETY WARNINGS

- The appliance must only be used as described in the instructions for use! Use for any other purpose is forbidden! Any damage resulting from improper use and non-observance of the safety information will invalidate any liability and warranty!
- All liability is disclaimed for any frost damage caused by a heating capacity that is insufficient for the room size, bad heat insulation of the room, incorrect use or force majeure (e.g. power failure).
- Only connect the appliance to A.C. mains as specified on the rating plate!
- Never touch live parts! **Danger to life!**
- Never operate the appliance with wet hands! **Danger to life!**
- The appliance must be placed in a way that the control elements cannot be touched by persons who are in a bath, shower, or any other water-filled receptacle.
- Do not use the appliance in rooms with bath, shower or swimming pool or in the vicinity of wash basins or water connections!
- Do not expose the appliance to rain or other moisture! The appliance is not for outdoor use. The appliance must only be stored indoors!
- Never use the appliance if the appliance or cord is damaged. **Risk of injury!**
- Check the power cord regularly for damage.
- If the power cord or the appliance is damaged to the extent that electrical parts are exposed, disconnect it immediately from the mains and consult your retailer or manufacturer!
- **Improper repairs can expose the user to considerable danger.**
- **The appliance may only be opened up and repaired by authorized qualified personnel.**
- Do not store or use any flammable materials or sprays in the vicinity of the appliance when the appliance is in use. **Fire hazard!**
- Do not use the appliance in flammable atmospheres (e.g. in the vicinity of combustible gases or spray cans)! **Explosion and fire hazard!!**
- The appliance should not be used in areas which are a fire risk, such as garages, stables, or wooden sheds.
- **Important!** Do not insert any foreign objects into the appliance openings! **Risk of injury** (electric shock) and damage to the appliance!
- The appliance air inlet and outlet openings must not be obstructed in any way!
- Do not touch the air outlet grill whilst in operation or immediately after use. **Risk of burns!**
- **WARNING: IN ORDER TO AVOID OVERHEATING, DO NOT COVER THE HEATER.**

- The appliance is not intended for use by young children or infirm persons without supervision!
- Young children should be supervised to ensure that they do not play with the appliance!
- **Attention!** To avoid any danger due to unintentionally resetting the thermal cut-out, the appliance must not be supplied via a timer.
- The appliance is not suitable for animal breeding purposes!
- The instruction leaflet belongs to the appliance and must be kept in a safe place. When changing owners, the leaflet must be surrendered to the new owner!
- Disconnect from mains when not in use or cleaning.
- It is not recommended to use an extension cord.
- Do not locate the heater immediately below a socket-outlet.
- When the heater is turned on for the first time, it may release a slight, harmless odor. This odor is a normal occurrence caused by the initial heating of the internal heating elements and should not occur again.
- Children of less than 3 years should be kept away from this product unless continuously supervised.
- Children aged from 3 years and less than 8 years shall only switch on/off the appliance provided that it has been placed in its intended normal operating position and they have been supervision or instruction concerning use of the appliance in a safe way and understand the hazards involved. Children aged from 3 years and less than 8 years shall not plug in, regulate or clean the appliance or perform user maintenance.
- **CAUTION** – Some parts of this product can become very hot and cause burns. Particular attention must be given where children and vulnerable people are present.
- This appliance can be used by children from 8 years and above and persons with reduced physical, sensory or mental capabilities or lack of experience and knowledge if they have been given supervision or instruction concerning use of the appliance in a safe way and understand the hazards involved. Children shall not play with the appliance. Cleaning and user maintenance shall not be made by children without supervision.
- **WARNING** – This heater is not equipped with a device to control the room temperature, do not use this heater in small rooms when they are occupied by persons not capable of leaving the room on their own unless constant supervision is provided.

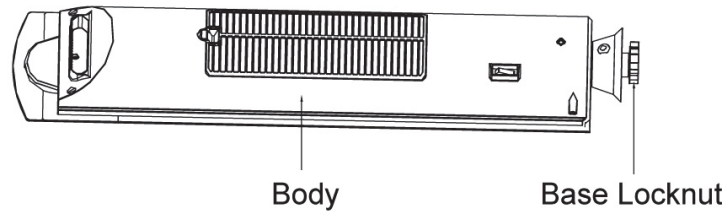
## 2. PRODUCT FEATURES

- 2 heat power selections
- Touch control panel
- Remote control
- Timer (1-12 hours)
- Oscillation function (76°)
- LED function indicators
- Overheat protection
- Tip-over protection
- Removable air filter for easy cleaning
- Temperature setting from 15°C to 35°C

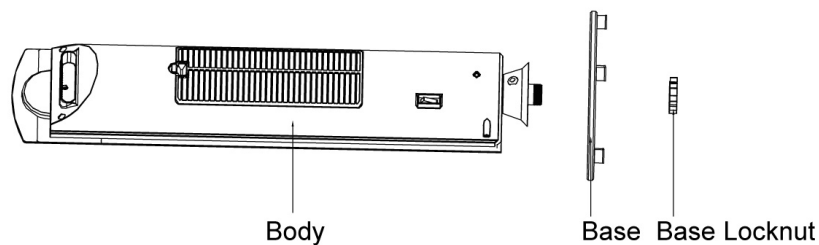


## 3. ASSEMBLY INSTRUCTION

- Open the packing, remove the unit and unscrew to open the base locknut.

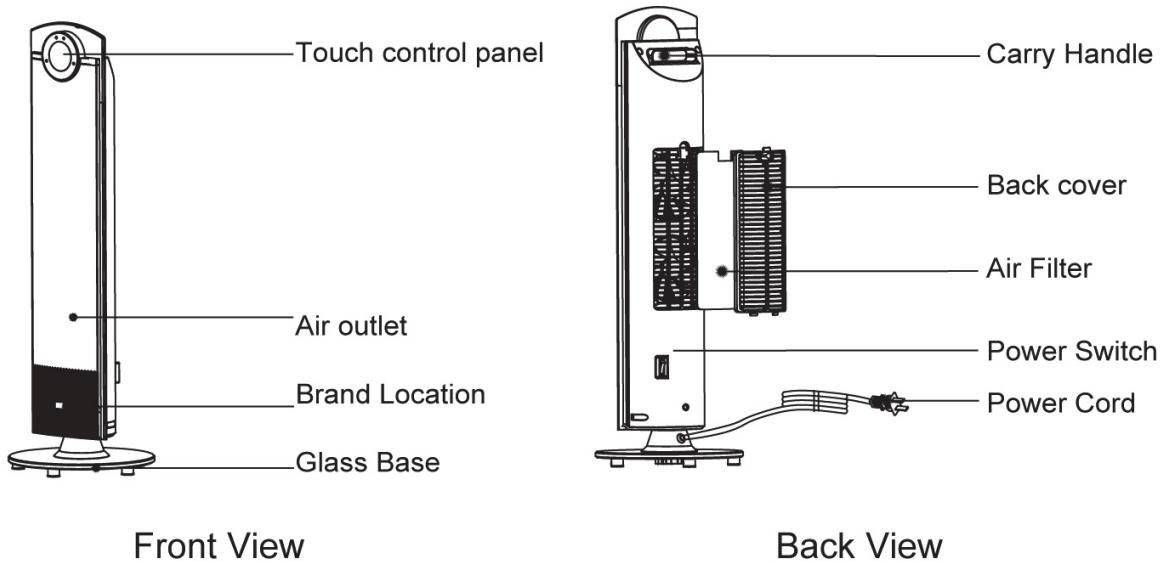


- Fit the glass base onto the bottom of the unit and securely screw the base locknut.



- The unit is now assembled and should be placed upright; always ensure it is placed on a flat floor or surface for use.

## 4. PARTS DESCRIPTION

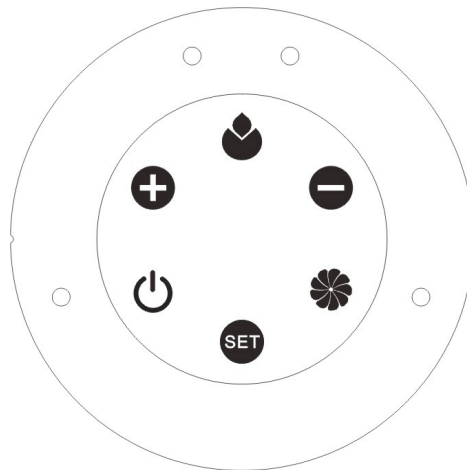


## 5. OPERATING INSTRUCTION

Firstly, plug in the appliance to a power source matching that on the units rating label.


**Power switch** (located below the removable air filter at the rear of the unit)

Press the power button to “1” position. You should hear a beep sound; the heater is now ready for use. Pressing the button to “0” position turns off the heater.




**Control Panel and LED display window**

### STANDBY

Press the standby “” key, the power indicator light will turn ON. The heater begins operation at low heat power - (LED indicator on the heating function shows “LOW”).


Press this key again and all functions will stop. The LED indicator turns off and the unit is back in standby mode.

## HEAT

When the unit is operated at low heating power, press the “” key, the high heating power will be turned on, and the LED indicator will show “HIGH”.

Pressing this key allows for the selection of either low heat or high heat power options.


## OSC (Oscillation)

When the unit is operating, press the “” key, the heater body will begin turning left and right automatically up to 76°. The LED indicator of this oscillation function will be turned on.


Press this key again, the oscillation function will stop and the LED light will turn off.

## MODE

When the unit is in operation, press the “” button to set the timer or thermostat.

Note: when the set key “” has been pressed to set the timer or change the required temperature, the LED light will flicker for approx 5 seconds.

During this 5 second interval changes can be inputted by pressing the “+” or “-” keys.


However if after pressing the set key “” no further buttons are pressed the unit will return to display the room temperature and to make further changes the process needs to begin again.

### A: Setting the timer:

Press the key, the light will show “0 h”, then press the “+” or “-” keys to set the working time, (within a range of 1-12 hours).

The time can increase or decrease in intervals of 1 hour/each by pressing the “+” or “-” keys. The display will show the final time you have set.

### B: Setting the thermostat:

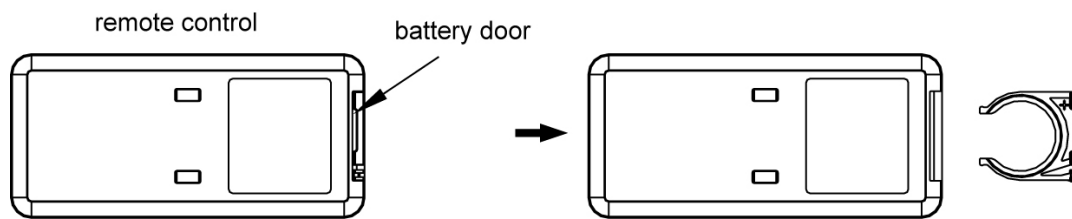
When the timer has been set (if desired), press the “” again. The LED displays 25°C, now you can adjust the thermostat to your required temperature setting. The temperature setting is increased or decreased in intervals of 1°C/each press of the “+” or “-” keys. The display will show the final temperature you have set. Range 15 - 35°C)

When the room temperature is  $\leq -10^{\circ}\text{C}$ , the LED display will show as “LO”

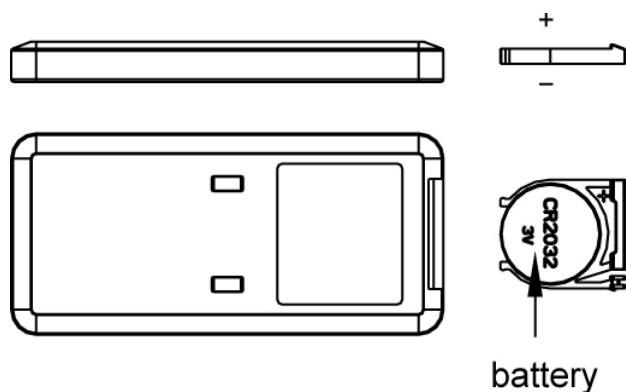
When the room temperature is  $> 40^{\circ}\text{C}$ , the LED display will show as “HI”.

When the room temperature is between  $-10^{\circ}\text{C}$  to  $40^{\circ}\text{C}$ , then the LED display will show the corresponding temperature by number.

## 6. REMOTE CONTROL



(Picture 1)

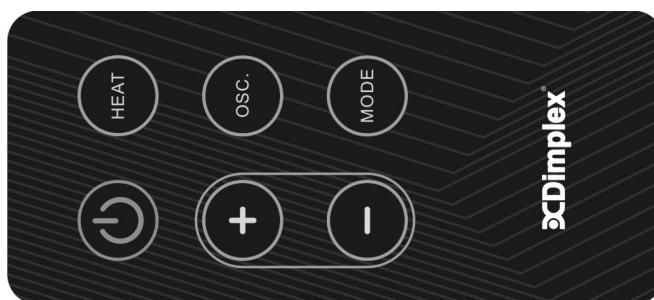


(Picture 2)

### Battery replacement in the remote control

- Slide out the battery holder at the rear of remote control. (Picture 1)
- Insert a 3V Li battery (CR 2032) into the tray of the door, battery text facing up. (Picture 2)
- Slide the battery holder back into the remote control; it is now ready for use.

### Operation of the remote control



Remote control panel

There are six function keys on the remote control and their functions match those on the control panel of the heater.

When operating the remote control, always point the remote towards the display window of the heater; the signal distance is approx. 6 meters.

## 7. CLEANING AND MAINTENANCE

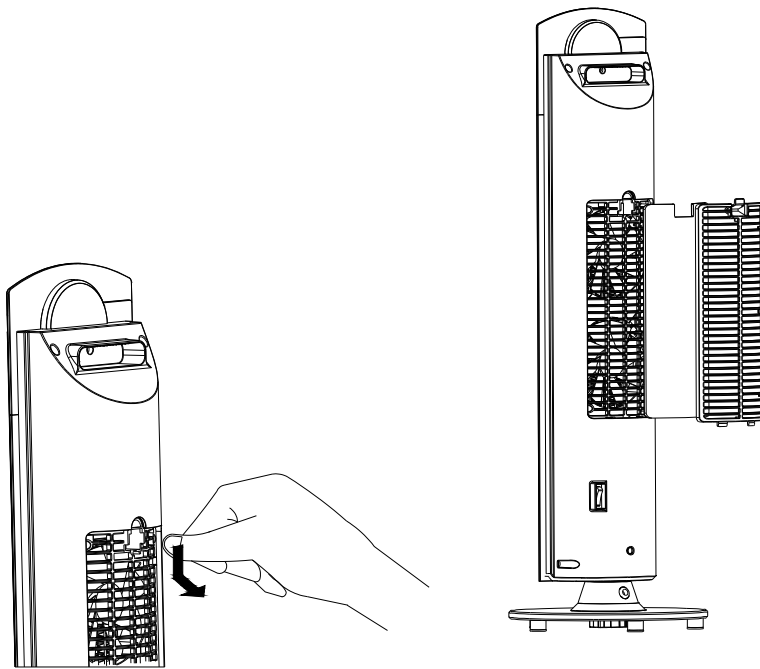
Make sure the power switch is turned off and the plug is disconnected from the power socket before cleaning or any maintenance. Otherwise, it may cause electric shock.

### 1. Cleaning the unit surface:

Clean the surface with damp cloth (or add some mild detergent). Do not use corrosive detergent or solvent to clean, such as Petrol, Tina, etc. Never wash the unit directly with water or a soaked cloth.

### 2. Clean the air filter (recommended monthly, if required)

- Remove the air filter for cleaning as shown in the following diagram.



- Do not use any chemicals for cleaning the filter.
- Use a soft cloth/duster to wipe away the dust. If you use water for cleaning, please make sure the air filter is completely dried before placing the filter back into the unit



**Recycling:** For electrical products sold within the European Community. At the end of the electrical products useful life it should not be disposed of with household waste. Please recycle where facilities exist.

Check with your Local Authority or retailer for recycling advice in your country.

## 8. After sales service

Your product is guaranteed for one year from the date of purchase. After sales information or assistance with this product can be found on our website:

[www.dimplex.co.uk/support](http://www.dimplex.co.uk/support)

Your rights under this guarantee are additional to your statutory rights, which in turn are not affected by this guarantee.

Please do not return a faulty product to us as this may result in loss or damage and delay in providing you with a satisfactory service.

If after following these steps your product still does not operate you should return it to your point of purchase.

Please retain your receipt as proof of purchase.

## 9.

<b>Model</b>	<b>DXSTG25</b>		
<b>Heat Output</b>			
Nominal Heat Output	Pnom	2.5	kW
Minimum Heat Output	Pmin	1.5	kW
Maximum Continuous Heat Output	Pmac,c	2.5	kW
<b>Auxiliary Electricity Consumption</b>			
At Nominal Heat Output	Elmax	0.0	kW
At Minimum Heat Output	Elmin	0.0	kW
In Standby mode	eISB	0.0015	kW
<b>Type of heat output/room temperature control (select one)</b>			
Electronic room temperature control			Yes
<b>Contact Details</b>	GDHV Millbrook House, Grange Drive, Hedge End, Southampton SO30 2DF Telephone: 0344 879 35 88 Email: <a href="mailto:customer.services@glendimplex.com">customer.services@glendimplex.com</a> Visit: <a href="http://www.gdhv.com">www.gdhv.com</a>		

---

**CE** This appliance complies with European Safety Standard EN 60335-2-30, and European Electromagnetic Compatibility (EMC) EN 55014:1, EN55014:2, EN 61000-3-2 and EN 61000-3-3. These cover the essential requirements of EEC Directives 2014/35/EU and 2014/30/EU

[c] Glen Dimplex

All rights reserved. Material contained in this publication may not be reproduced in whole or in part, without prior permission in writing of Glen Dimplex.