



MASTER LEDspot ExpertColor AR111



MAS LEDspotLV D 20-100W 940 AR111 45D

The MASTER LEDspot LV ExpertColor creates a warm and comfortable ambience for hospitality venues, homes and restaurants. It creates ambience with superior lighting that has a customised spectrum, high CRI and deep dimming features. The result? A beautiful lighting experience. What's more, the innovative, trimless lens design will also suit almost any interior decor with its clean and neat look. In addition, you can take advantage of the full ExpertColor family, which also includes LEDspot LV and LEDspot Par lamps.

Product data

General information		Luminous flux in 90° cone (rated)	
Cap base	G53 [G53]		1270 lm
EU RoHS compliant	Yes	Operating and electrical	
Nominal lifetime (nom.)	25000 h	Input frequency	50 to 60 Hz
Technical type	20-100W	Power (Rated) (Nom)	20 W
	Narrow Cone	Lamp current (nom.)	2000 mA
		Wattage equivalent	100 W
Light technical		Starting time (nom.)	0.5 s
Colour Code	940 [CCT of 4,000 K]	Warm-up time to 60% light (nom.)	0.5 s
Beam Angle (Nom)	45°	Power factor (nom.)	0.7
Luminous flux (nom.)	1270 lm	Voltage (Nom)	ac electronic 12 V
Luminous intensity (nom.)	2300 cd	Temperature	
Colour designation	Cool White (CW)	T-Case maximum (nom.)	97 °C
Correlated Colour Temperature (Nom)	4000 K	Controls and dimming	
Luminous efficacy (rated) (nom.)	63.00 lm/W	Dimmable	Only with specific dimmers
Colour consistency	<4		
Colour rendering index (nom.)	91		
LLMF at end of nominal lifetime (nom.)	70 %		

MASTER LEDspot ExpertColor AR111

Mechanical and housing

Lamp Finish	Clear
Bulb shape	AR111

Approval and application

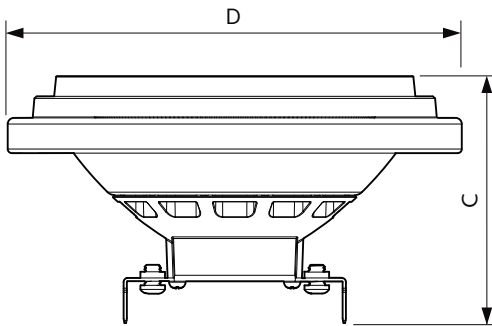
Energy Efficiency Class	G
Suitable for accent lighting	Yes
Energy consumption kWh/1,000 hours	20 kWh 648248

Product data

Full product code	871869970521300
-------------------	-----------------

Order product name	MAS LEDspotLV D 20-100W 940 AR111 45D
EAN/UPC – product	8718699705213
Order code	70521300
SAP numerator – quantity per pack	1
Numerator – packs per outer box	6
SAP material	929002050802
Net Weight (Piece)	0.160 kg

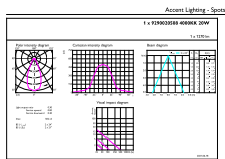
Dimensional drawing



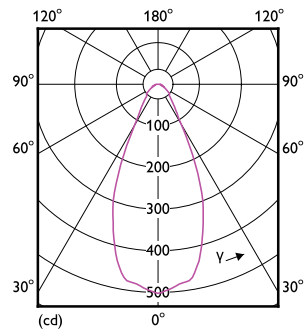
MAS LEDspotLV D 20-100W 940 AR111 45D

Product	D	C
MAS LEDspotLV D 20-100W 940 AR111 45D	111 mm	62 mm

Photometric data



LEDspots MAS SLR 20W AR111 G53 940 45D-ADL ADL



LEDspots MAS SLR 20W AR111 G53 940 45D-LDD LDD

