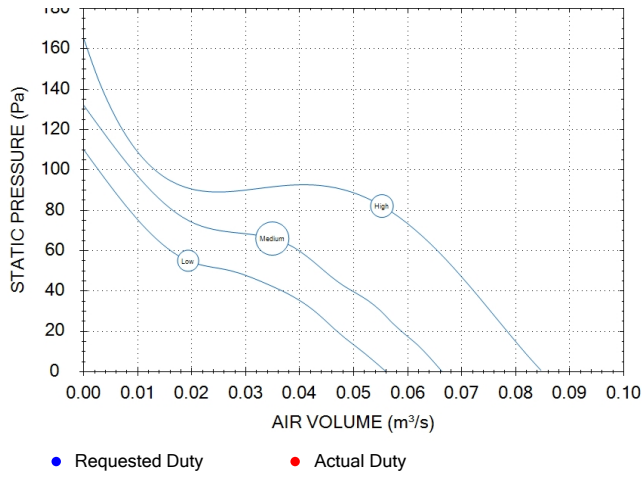


Performance Chart



17104020

Tech Ref File:
 Stock Reference: 17104020
 Product Description: ACM100T
 Product Type: Ventilation
 Product Range: In-Line Fans
 Impeller: Mixed Flow
 Casing: ABS thermoplastic
 Speed: 2200 rpm
 Airstream Temperature: -30°C to 50°C
 dBA: 22
 Specific Fan Power & dB(A) shown are at duty point.

Warranty: 2 Years

Electrical Information

Watts: 23
 Supply Voltage: 220-240V/1/50Hz
 Full Load Current: 0.1 A
 Motor Poles: 2
 Insulation: B
 Motor IP Rating: IP44
 S.T.O.P. Protection: Yes
 Speed Controllable: No

Acoustic Information

| | 63 | 125 | 250 | 500 | 1k | 2k | 4k | 8k | Total | dBA@3m |
|----------|----|-----|-----|-----|----|----|----|----|-------|--------|
| Inlet | 38 | 42 | 57 | 56 | 54 | 46 | 38 | 30 | 61 | 37 |
| Outlet | 36 | 41 | 52 | 52 | 53 | 44 | 37 | 28 | 58 | 35 |
| Breakout | 32 | 36 | 41 | 39 | 37 | 37 | 28 | 22 | 46 | 22 |

Sound Power Level Spectra dB (re 10⁻¹² Watts)

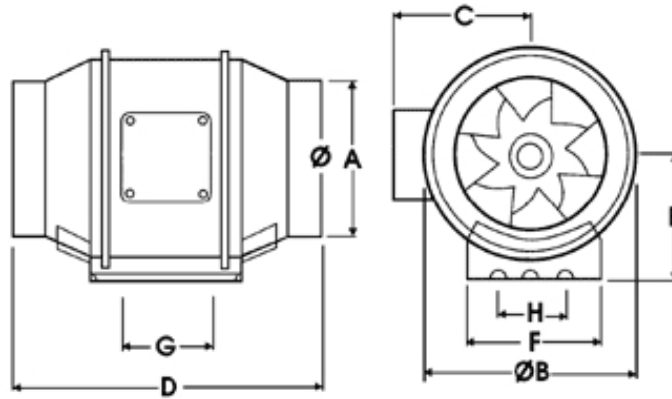
For ducted units, sound power is given as In Duct with end reflections added.

Stated dB(A) levels at 3m with spherical propagation at a reference level of 2 x 10⁻¹² Pa

Optional Accessories

| Part No | Description |
|---------|--------------------|
| FLX100 | FLEXIBLE CONNECTOR |

Dimensions



| A \varnothing | B \varnothing | C | D | E | F | G | H |
|-----------------|-----------------|-----|-----|----|-----|-----|-------|
| 97 | 178 | 124 | 298 | 96 | 168 | 120 | 153.5 |

Dimensions shown in mm
 Weights in kg