



# CorePro LEDspot LV



## CorePro LED spot ND4.4-35WMR16 840 36DUK

CorePro LEDspots are a perfect fit for spot lighting and deliver warm halogen-like light. They are compatible with most existing fixtures with MR16 GU5.3 holders and are designed as a retrofit replacement for halogen or incandescent spots. LEDlamps deliver huge energy savings and minimize maintenance cost.

### Product data

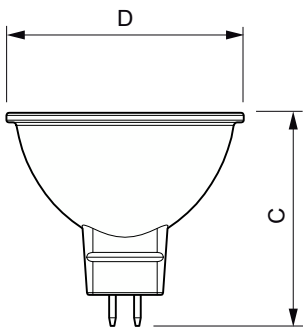
General Information		Power Consumption	
Cap base	GU5.3	Power Consumption	4.4 W
Nominal lifetime	15,000 h	Lamp current (nom.)	520 mA
Switching Cycle	50,000	Wattage equivalent	35 W
Lighting Technology	LED	Starting time (nom.)	0.5 s
		Warm-up time to 60% light	0.5 s
		Power Factor (Fraction)	0.6
		Voltage (nom.)	ac electronic 12 V
Light Technical		Temperature	
Colour Code	840 [CCT of 4000K]	T-Case maximum (nom.)	85 °C
Beam angle (nom.)	36 degree(s)		
Luminous Flux	390 lm	Controls and Dimming	
Luminous intensity (nom.)	750 cd	Dimmable	No
Luminous efficacy (rated) (nom.)	88.00 lm/W	Mechanical and Housing	
Colour designation	Cool White (CW)	Bulb shape	MR16
Correlated Colour Temperature	4000 K	Approval and Application	
Colour consistency	<6	Energy Efficiency Class	F
Colour rendering index (CRI)	80	Suitable for accent lighting	Yes
LLMF at end of nominal lifetime (nom.)	70 %	Energy consumption kWh/1,000 hours	5 kWh
Luminous flux in 90° cone (rated)	390 lm	EPREL registration number	421458
Photobiological safety according to EN 62471	RG1	EU RoHS compliant	Yes
Operating and Electrical			
Line Frequency	- Hz		
Input frequency	- Hz		

# CorePro LEDspot LV

EyeComfort	Yes
<b>Application Conditions</b>	
Can it be used in closed luminaires	No
<b>Product Data</b>	
Order product name	CorePro LED spot ND4.4-35WMR16 840 36DUK
Full product name	CorePro LED spot ND4.4-35WMR16 840 36DUK

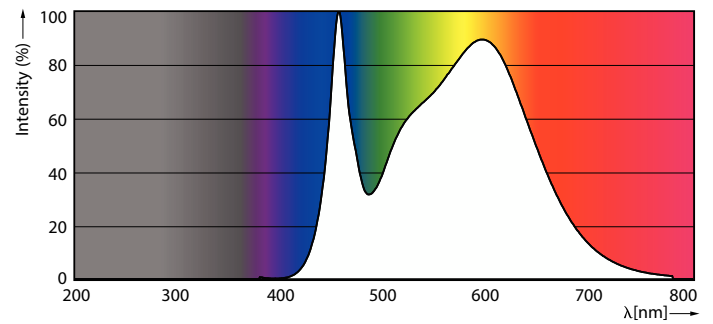
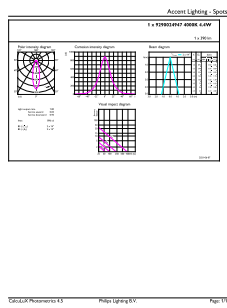
Full EOC	871951430708701
Order code	30708701
Material no. (12 NC)	929002494799
Numerator – quantity per pack	1
Net Weight (Piece)	0.045 kg
EAN/UPC – Product/Case	8719514307087
Numerator – packs per outer box	10
EAN/UPC – Case	8719514405455

## Dimensional drawing



Product	D	C
CorePro LED spot ND4.4-35WMR16 840 36DUK	50.5 mm	45.5 mm

## Photometric data

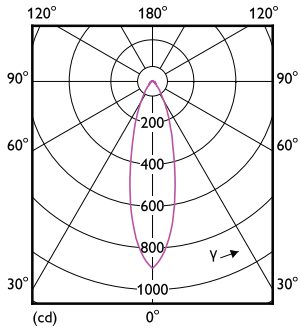


Accent Lighting Spots - CorePro LED spot ND4.4-35WMR16 840 36DUK

Spectral Power Distribution Colour - CorePro LED spot ND4.4-35WMR16 840 36DUK

# CorePro LEDspot LV

## Photometric data



Light Distribution Diagram - CorePro LED spot ND4.4-35WMR16 840 36DUK

## Lifetime



Life Expectancy Diagram



Lumen Maintenance Diagram - CorePro LED spot ND4.4-35WMR16 840 36DUK

