

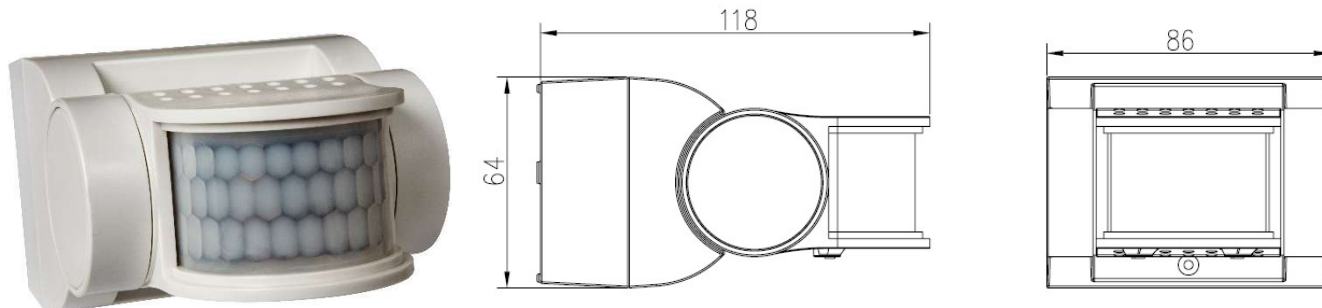
# Data sheet



Light / PIR Lighting Controllers

MTLW3000 – Night Eye PIR Light Controller

## Product Image & Line Diagram



## Technical Data

<b>General</b>	
Operating Voltage	230V AC
Frequency	50Hz
Installation Type	Surface
Class Protection	Class 2
Weatherproof Rating	IP55
Switch Rating	3000W Halogen/Filament/Incandescent, 500W Fluorescent/Low Energy, 140W LED
Accessories (Included)	Instructions, Fittings
Accessories (Optional)	None
Dimensions	Height 64mm, Width 86mm, Depth 118mm
Weight	200g
EAN	5012483010938
Designed In Accordance To	BS EN 60669-2-1 Includes updates & amendments.
Guarantee Period	5 Years
<b>PIR Sensor</b>	
Detection Angle	200°
Light ON Time	5 seconds to 18 minutes
Slave Terminal	Yes
Detection Range	12 meters, fixed
Permanent ON Facility	Yes, Pulse
Dusk Until Dawn Mode	No
<b>Construction;</b>	
PIR	Polycarbonate



A theben Group Company

Article Number: MTLW3000 DS101019V2



Timeguard Ltd reserves the right to withdraw, improve or modify any design without prior notification. Timeguard Ltd cannot be held responsible for the incorrect application of any product. Additional information can be found at: [www.timeguard.com](http://www.timeguard.com)