

Commercial Bollard Range

Installation instructions

Warning & cautions

- It is recommended that luminaires are installed by a qualified electrician to ensure the installation complies with the local current wiring regulations.
- Any broken or damaged parts should be replaced as soon as possible.
- JCC will not accept responsibility for claims arising from sub-standard installations; which will void the warranty.
- The external flexible cable or cord of this luminaire cannot be replaced; if the cord is damaged the luminaire shall be destroyed.
- Terminal block not included. Installation may require advice from a qualified person.

- The light source of this luminaire is not replaceable.
- This luminaire is suitable for outdoor use.
- It may be necessary to upgrade your MCBs to allow for increased inrush current.
- It is recommended that the ambient room temperature should not exceed 50°C.
- Ensure that you have the tools and accessories required to complete the installation correctly: Isolate the power before starting installation.
- Do not install in areas that are near to continual running water or prone to flooding.

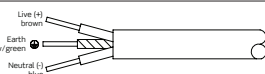
INSTALLATION

ENGLISH

Specifications Colour Temp: 4000K Ra: 80

Wattage	Lumens	LpcW	Beam(front/rear)
14W	1190	85	65°/70°
24W	1990	83	65°/70°

Fig.3. Mains input



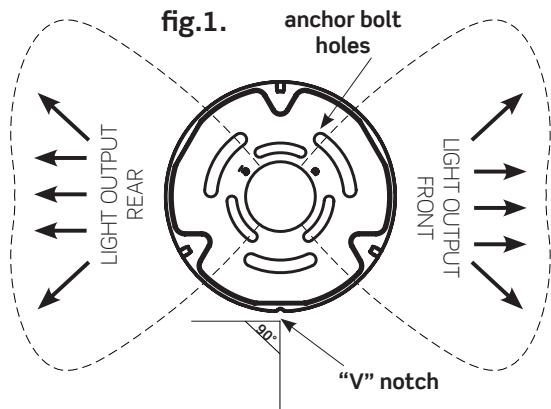
220-240V~ 50/60Hz / Class I

Terminal block must comply to: EN 60998-2-1 or EN 60998-2-2

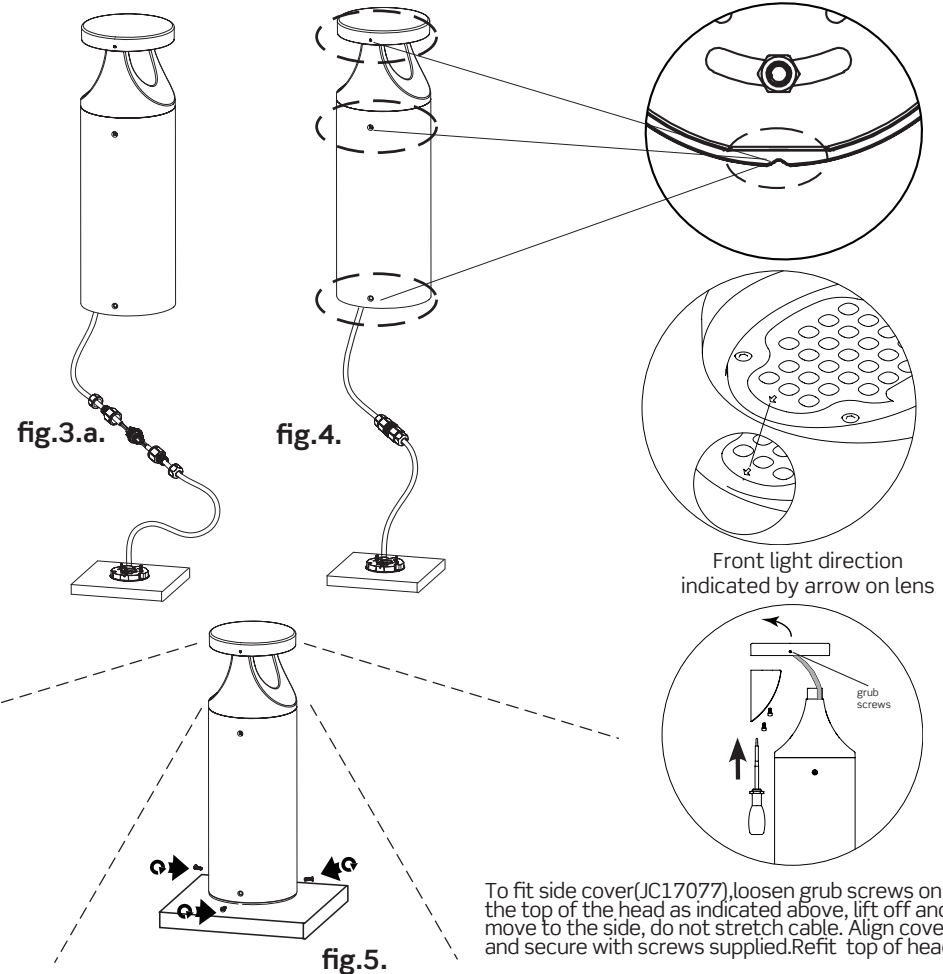
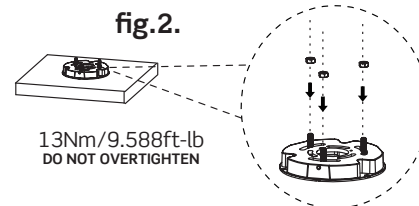
Anchor bolt installation using Bollard base



3 x 8mm Ø (BOLTS NOT SUPPLIED)



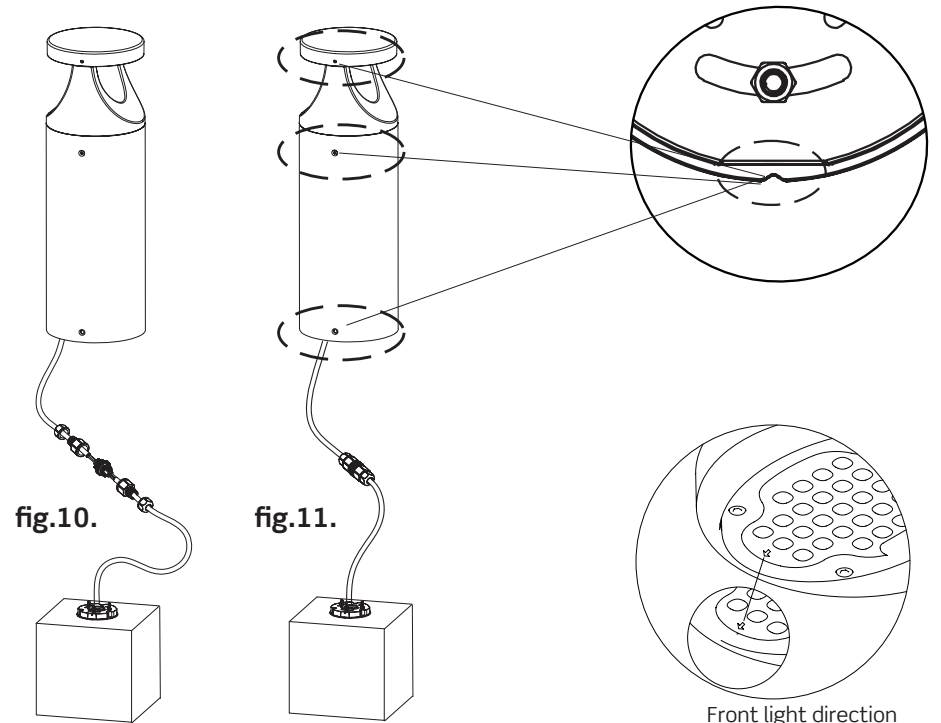
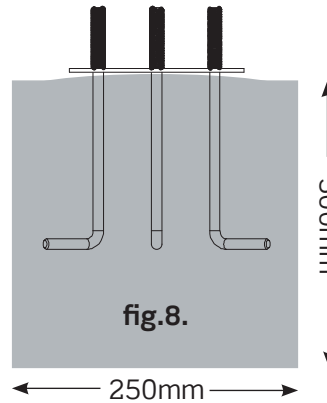
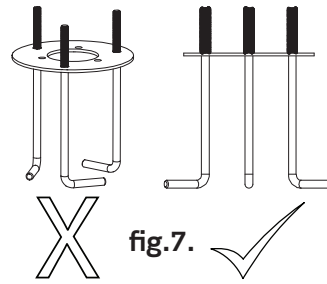
1. Anchor bolts must be 8mmØ with a minimum of 45mm thread protruding out of the concrete.
2. When positioning the base of the bollard to use as a template make sure the "V" notch is at 90° to the light output. See fig.1.
3. This will ensure that the bollard is installed in the correct orientation.
4. Once the anchor bolts have been fitted to the concrete pad, place the bollard base over the studs and secure with the nuts, do not overtighten you could damage the base(Fig.2)
5. Ensure the power cable is fed through the centre hole of the bollard base
6. Connect the mains supply to the bollard, using a suitable IP rated connector(not supplied) (fig.3./fig.3.a.)
7. Place bollard body and head onto the base. Make sure that the "V" notch in the base is aligned with the 3 screws vertically on the body and the head, this will ensure that the light output is correct(fig.4.)
8. Secure the body to the base with the 3 x Philips screws(fig.5.)
9. Test for correct operation



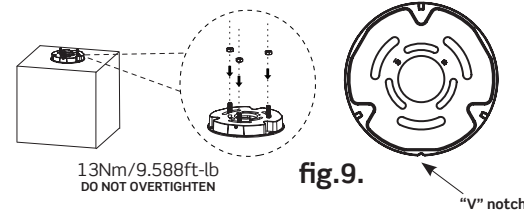
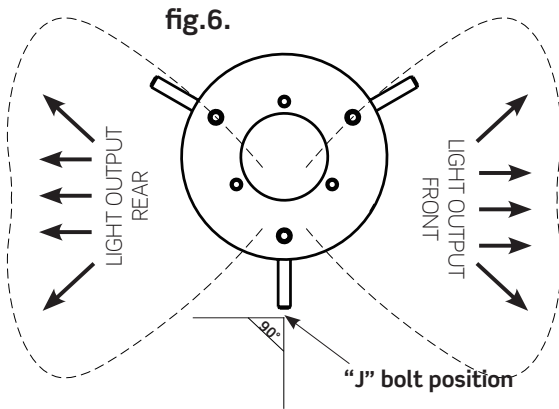
To fit side cover(JC17077), loosen grub screws on the top of the head as indicated above, lift off and move to the side, do not stretch cable. Align cover and secure with screws supplied.Refit top of head.

Concrete mount kit installation

1. Screw the "J" bolts into the threaded holes in the base plate,
2. Align the bolts and ensure the tips of the "J" bolts are directed away from the centre of the plate(Fig.7.)
3. When positioning the concrete mount kit into the concrete base, make sure that one of the "J" bolts is positioned at 90° to the light output. See fig.6.
4. The concrete base should be a minimum of 250mm square and 300mm deep(fig.8.)
5. Make sure that the power supply/conduit is in place prior to concreting the kit in place. The diameter of the centre hole in the root mounting plate is Ø55mm.
6. Make sure that the plate is not set into the concrete and is approximately 5mm above it and that the concrete slopes away gradually from the centre to allow for any water to drain away.
7. Once the concrete has cured, place the the bollard base over the top of the mounting plate.(fig.9.)
8. When placing the bollard base on top of the kit, make sure the "V" notch on the base is in-line with the "J" bolt set at 90° to the light output, this will ensure the bollard is installed in the correct orientation.
9. Connect the mains supply to the bollard, using a suitable IP rated connector(not supplied)(fig.3. page 1/fig.10.)
10. Place bollard body and head onto the base. Make sure that the "V" notch in the base is aligned with the 3 screws vertically on the body and the head, this will ensure that the light output is correct(fig.11.)
11. Secure the body to the base with the 3 x T25 Philips screws(fig.12.)
12. Test for correct operation



Front light direction indicated by arrow on lens



13Nm/9.588ft-lb
DO NOT OVERTIGHTEN

fig.9. "V" notch

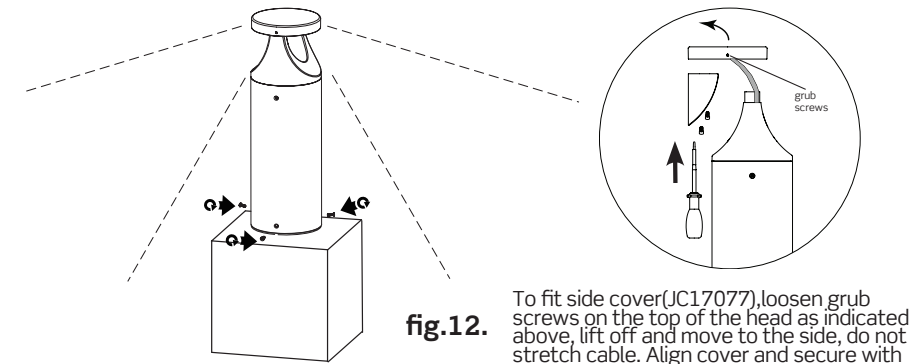
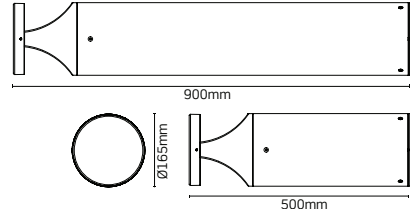
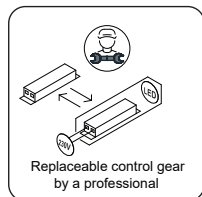
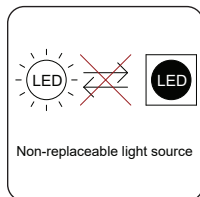


fig.12. To fit side cover(JC17077),loosen grub screws on the top of the head as indicated above, lift off and move to the side, do not stretch cable. Align cover and secure with screws supplied.Refit top of head.



Profile & Dimensions

Important warranty information

This product is supported by a 2-year standard warranty which will extend to 5-years if registered within the first year of purchase. Please register at jcc.co.uk/warranty (Terms and conditions apply).

The installer will be asked to provide the following information, which is detailed on a label attached to the luminaire's chassis: Product Code/Date Code.