

SURFACE FITTINGS

ROBUS®

SLIM GOLF 10W & 15W LED, 3,000K, 4,000K & 6,500K CCT SELECTABLE SURFACE FITTINGS, IP65, WHITE

The Golf has gone on a diet. This great new addition to the Golf family provides all the functionality of the traditional LED Golf, but in a slim version. It is particularly suited to low ceilings or narrow corridors where a shallower light fittings is less intrusive into the space. Efficient, high quality LED's together with selectable colour temperature, combinations of integral sensor and emergency provide a suite of solutions for all surface applications



Applications:

- Commercial building corridors, toilets, kitchens
- Retail shops and Hotels
- Nursing home communal & personal space
- Apartment access stairs & corridors
- Sports centre changing rooms

Construction:

Polycarbonate Body, Trim & Opal diffuser
Metal gear tray with laminate PCB

Features and Benefits:

- The Slim Golf has a very shallow body which not only enhances its aesthetics, but also provides a solution for buildings with low ceilings or narrow corridors to increase perceived space
- It is available in two lumen packages which are ideal for 2.4m – 3m high ceilings
- A numbers of versions are available for enhanced functionality which include:
 - Non-emergency fittings controlled by external switch or sensor
 - Maintained Integral Emergency which provides lighting for exit route traverse when power fails
 - Sensor - for automatic on/off to make further energy savings
 - Emergency + sensor for combined functionality
- A plug-in emergency battery allows fast and simple replacement at end of life
- For fast and simple mounting of the base it has:
 - A number of moulded cable entry points
 - Moulded BESA box fixings for surface conduit wiring
 - Surface stand-offs for rough or uneven surfaces
 - A twist and lock trim allows fast access to internal area
- The opal pro-diffuser is extremely strong resulting in a fitting impact rating of IK09. It also:
 - Maximises the amount of light transmitted
 - Provides uniform light without dark spot
 - Minimises discomfort eye glare
- A rubber seal provides an IP65 rating for harsher environments
- A 4 pole termination area with 2 push terminals per pole provide a reliable, fast connection with less possibility of poor or loose connections which can result in failure
An additional 5th pole "live out" on sensor versions provides a switched live out for additional corridor fittings or parallel sensor control which is ideal for stairwells
- Automatic cable restraint is designed into the terminal cover when closed which speeds up installation. A pair of cover fixing screws ensure electrical safety
- IES LM80 and TM21 LED testing together with rigorous complete luminaire age testing ensure long life, consistent light output and colour temperature with no annoying costly failures throughout the rated life of the LED's
- The LED module has two sets of LED's, warm white and Daylight white, which are selected via a 3 position switch on the driver where the centre position is a combination of the 2 sets of LED's. This provides 3 light output colour temperatures:
 - Warm white for relaxation areas in care homes perhaps
 - Neutral for corridors to ensure alertness and good visibility
 - Daylight for more clinical applications in special task areas
- Utilising solid-state lighting technology with no heat filaments or electrodes means these fittings are less susceptible to failure due to hot to cold temperature cycles or building vibration caused by traffic
- They are "Instant on" with no cool down period which means they can be switched by microwave, PIR and/or photocell for even greater energy savings when lighting is not required

PLEASE NOTE: INFORMATION IN THIS DOCUMENT MAY BE SUBJECT TO CHANGE WITHOUT PRIOR NOTICE

IRE: TEL: +353 1 709 9000
AUS: TEL: +61 7 3890 5444

WEB: WWW.ROBUS.COM
WEB: WWW.ROBUS.COM.AU

LED GROUP EUROPE · AUSTRALIA · ASIA · MIDDLE EAST · AFRICA

SURFACE FITTINGS

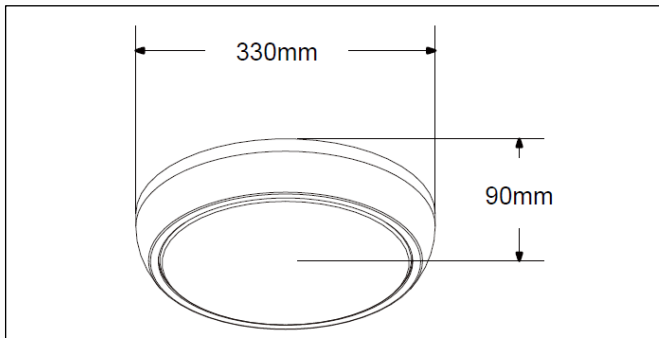
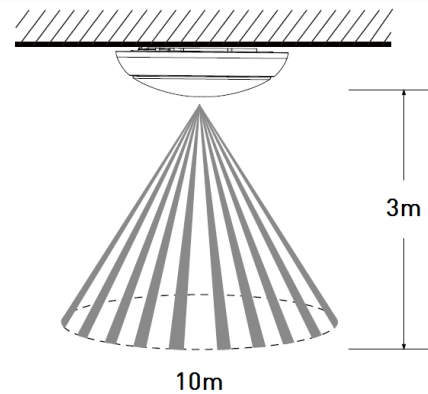
ROBUS®

SLIM GOLF 10W & 15W LED, 3,000K, 4,000K & 6,500K CCT
SELECTABLE SURFACE FITTINGS, IP65, WHITE

	10W	15W
Product Code:	RS100LEDCCT3-01	RS150LEDCCT3-01
Standard:	RS100LEDCCT3E-01	RS150LEDCCT3E-01
Emergency:	RS100LEDCCT3S-01	RS150LEDCCT3-01SEN
Microwave Sensor:	RS100LEDCCT3ES-01	RS150LEDCCT3E-01SEN
Emergency + Sensor:		
Comparable to:	28W 2D	38W 2D
Total Power (W):	9.9/9.8/10.0	14.7/14.3/14.7
Total Light Output (lm):	830/910/900	1,200/1,340/1,310
Emergency Mode Light Output (lm):	130/140/140	140/150/150
Efficacy (lm / cctW):	84/94/91	83/94/89
Illuminance at 1m (lux):	260/290/290	380/420/410
Emergency Mode illuminance at 1m (lx):	40/40/40	40/50/50
Beam Angle (deg):	110	110
CCT (K):	3,000/4,000/6,500	3,000/4,000/6,500
CRI (Ra):	85	85
Rated Life (hrs):	50,000	50,000
Warranty (yrs):	5	5
Ingress Protection (IP):	65	65
Impact Rating (IK):	09	09
Operating Temperature (°C):	-20 ≤ Ta ≤ +35	-20 ≤ Ta ≤ +35
Operating Voltage (Vac):	220-240	220-240
Power Factor (PF):	0.9	0.9
Height (mm):	90	90
Diameter (mm):	330	330
Box Qty:	1	1
Weight (kg):	0.87/1.09/0.93/1.12	0.87/1.09

Sensor data:

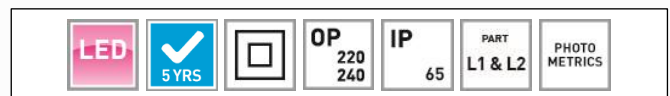
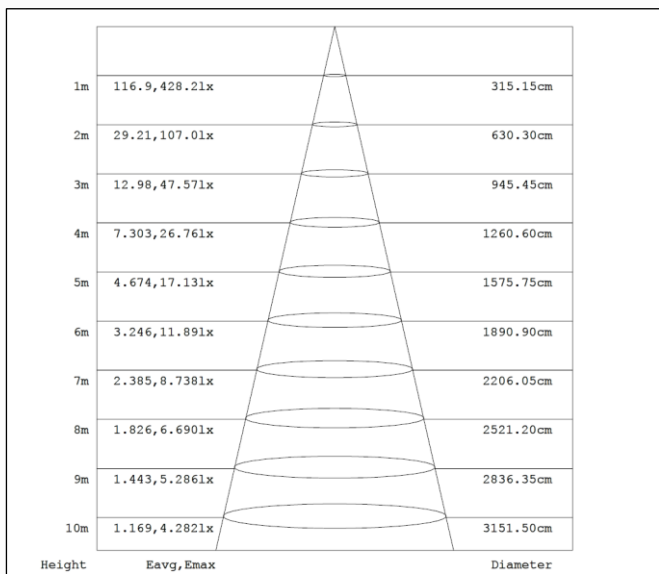
Mounting Height:	2.5-6.0
Detection Diameter (at 3m):	10
Time Delay:	5s, 30s, 90s, 3min, 20min, 30min
Lux Settings:	2lux, 10lux, 30lux, 50lux, Disable
Sensitivity (%):	10%, 25%, 50%, 75%, 100%
Note: For additional fitting control the total sensor rating is 150W	



Standards & Approvals:

Complies with: EN 60598-1, EN 60598-2-2, EN 62471, EN 62493, EN 55015, EN 61000-3-2, EN 61000-3-3, BS 476-21, EN 61374-1, EN 61374-2-13, EN61547, EN62031

Cone Illuminance Diagram:



Polar Intensity Diagram:

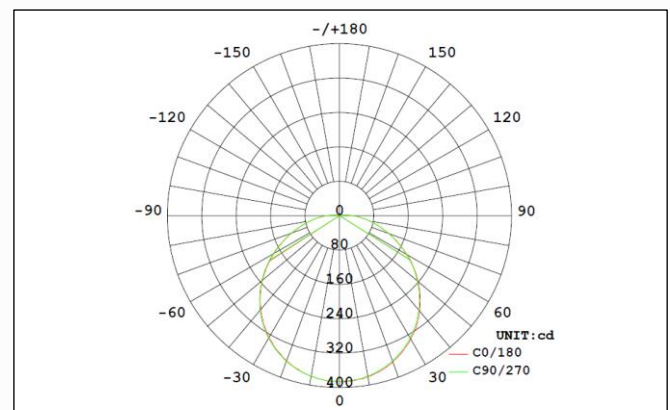


Diagram for RS150LEDCCT3-01 in 4,000K. Other diagrams available on request
PLEASE NOTE: INFORMATION IN THIS DOCUMENT MAY BE SUBJECT TO CHANGE WITHOUT PRIOR NOTICE

Diagram for RS150LEDCCT3-01 in 4,000K. Other diagrams available on request

IRE: TEL: +353 1 709 9000
AUS: TEL: +61 7 3890 5444

WEB: WWW.ROBUS.COM
WEB: WWW.ROBUS.COM.AU

LED GROUP EUROPE · AUSTRALIA · ASIA · MIDDLE EAST · AFRICA