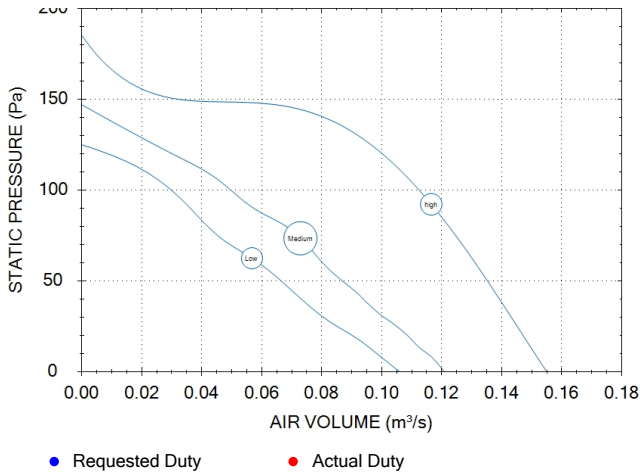


Performance Chart



17106010

Tech Ref File:
 Stock Reference: 17106010
 Product Description: ACM150
 Product Type: Ventilation
 Product Range: In-Line Fans
 Impeller: Mixed Flow
 Casing: ABS thermoplastic
 Speed: 2350 rpm
 Airstream Temperature: -30°C to 50°C
 dBA: 36
 Specific Fan Power & dB(A) shown are at duty point.

Warranty: 2 Years

Electrical Information

Watts: 48
 Supply Voltage: 220-240V/1/50Hz
 Full Load Current: 0.21 A
 Motor Poles: 2
 Insulation: B
 Motor IP Rating: IP44
 S.T.O.P. Protection: Yes
 Speed Controllable: Yes

Acoustic Information

	63	125	250	500	1k	2k	4k	8k	Total	dBA@3m
Inlet	40	49	59	63	59	63	55	47	68	46
Outlet	36	48	54	60	58	61	54	46	65	44
Breakout	26	28	41	45	48	54	41	29	56	36

Sound Power Level Spectra dB (re 10⁻¹² Watts)

For ducted units, sound power is given as In Duct with end reflections added.

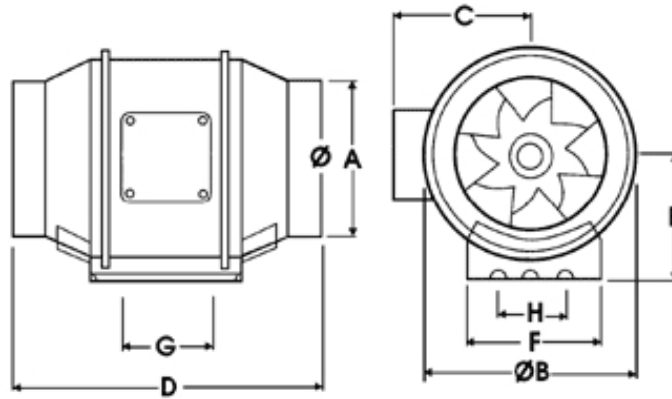
Stated dB(A) levels at 3m with spherical propagation at a reference level of 2 x 10⁻¹² Pa

Optional Accessories

Part No	Description
W300310	Electronic 1.5A Controller
10314103	3 AMP SINGLE PHASE CONTROL
FLX150	FLEXIBLE CONNECTOR

Part No	Description
400144	FLUSH FITTING METAL MOUNT

Dimensions



A \varnothing	B \varnothing	C	D	E	F	G	H
147	200	138	350	118	192	162	178

Dimensions
shown in mm
Weights in kg