

JC71741EM

Skypack QR Emergency

Skypack QR LED Batten 4ft Single IP20 4000K 25W 2760Lm Emergency



Features & Benefits

- Intelligent press release buttons for simple installation
- Ultra efficient up to 110 lumens per circuit Watt
- Suspended LED tray for easy installation
- Press fit terminals loop in loop out
- Rear and end conduit entry points
- Microwave dimmable and on/off options
- 2 years standard warranty extends to 5 years when registered within the first year of purchase (2 years on batteries)(See Website for terms and conditions)
- This product contains a light source of energy efficiency class F



General Information

Mounting	Surface Mounted
Environment	Indoor
Product Group	LED - Surface
Product Range	Skypack™
Trade Name	Skypack™ QR
Color Finish	White
Product Shape	Rectangular
Product Weight(kg)	1.64
Overall Dimensions	1220 x 70 x 76.5
Light Source	LED
Light Source Features	Neutral White
Recommended Product Location	Domestic, Commercial and Industrial Applications
Method Of Fix	Surface with Conduit Entry
IP Rating	IP20
Origin of manufacturer	Made In China
Warranty	2 years standard warranty extends to 5 years when registered within the first year of purchase (2 years on batteries)(See Website for terms and conditions)
Driver Manufacturer	JCC

LED Manufacturer/Type	XINDA
Lighting Product Type 1	Linear Lighting
Lighting Product Type 2	Emergency Lighting

Electrical

Voltage Rating	220-240
Primary Running Current(Amp)	0.13
Operating Frequency Hz	50/60Hz
Secondary running current(mA)	700
Constant Current or Constant Voltage	CC
Luminaire Circuit Wattage	25
Class	I
EMC Compliant (EN55015)	Yes
Power Factor Correction	0.9
Input Electrical Connections	Switched Live, Unswitched Live, Earth & Neutral
Dimmable	No

Emergency Data

Load Voltage(DC)	24-54
LOR % in Emergency Mode	8-12
Inverter PFC	0.5

Battery Data

Battery Specification	6.4V 2000mAH LIFEP04
Battery Type	LIFEP04
Nominal Battery Current	0.35Amp
Charge Current	30-400mA
Recharge Time	12 Hours
Battery Total Weight(kg)	0.05

Performance Data

LED Life (Hours)	54000
------------------	--------------

Hours life stated is an indication of expected L70 chip and light output calculations when operating in optimum conditions. Product warranty period supports the full product during the term given. The L70 hours expectancy is not correlated with the full product warranty term, nor is it a representation of lumen depreciation during the warranty period.

Energy Rating	This product contains a light source of energy efficiency class F
Actual Lumen Output	2760
Lumens Per Circuit Watt	110
Color Rendering Index	80-89
CRI: Ra	80
Correlated Color Temperature	4000K
Beam Angle °	120
LOR (Light Output Ratio) %	100
Photometry Available	Yes

Construction

Primary Material

Steel

Outer Diffuser

Polycarbonate

Packaging

Product Packaged Weight(kg)

1.882

Quantity Per Outer Carton

8

Outer carton(L)- cm

126.5

Outer carton(W)- cm

42.5

Outer carton(H)- cm

21.5

Outer carton Net weight- kg

13.12

Outer carton Gross weight- kg

16.10

Product Bar Code EAN-13 Number

5052544080494

Outer carton Bar Code ITF-14 Number

15052544080491

Standards & Approvals

Manufactured In Accordance To

BS EN 60598:2015, 2-1, 2-22

CE Marked

Yes

UKCA Marked

Yes

Date code/Purchase order No.

Yes

WEEE Symbol

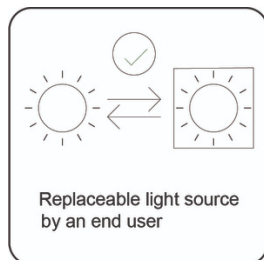
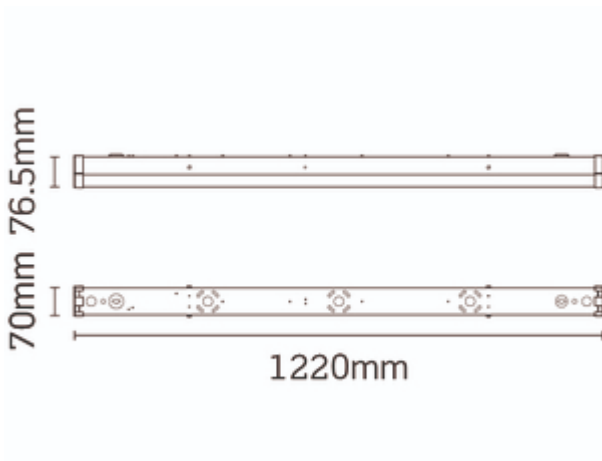
Yes

Certificate Of Conformity

Available on request

Accredited Members

LIA, ISO9001-2015, ISO14001-2015



JCC Lighting LTD, Lux Park, Chichester Business Park, City Fields Way, Tangmere, Chichester, West Sussex, PO20 2FT.
Sales: 01243 838999 (8am to 5pm Monday to Friday) Fax: 01243 838998 | sales@jcc.co.uk | www.jcc.co.uk
Company Registration Number: 03044848 | VAT Number: 918544112

This document is uncontrolled if printed, all information is subject to change

Version 155 [16/09/2022]