

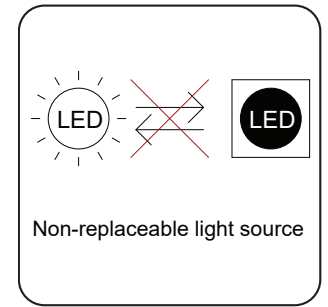
Round Rechargeable Light c/w power bank

Installation instructions

JCC | a **LEVITON** company

Warnings & Cautions

- Do not install in areas that are exposed to continual running water or prone to flooding.
- Ensure that the mounting surface is both flat and stable.
- Any broken or damaged parts should be replaced as soon as possible.
- JCC will not accept responsibility for claims arising from sub-standard installations
- These products are suitable for indoor or outdoor use.
- This product is battery powered and they are charged using a 5VDC mains adapter plug and USB charging lead supplied.
- Only the supplied mains adapter plug and USB lead should be used for charging
- The batteries in this product are rechargeable and must only be replaced by a competent person.

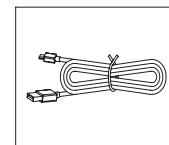


INSTALLATION

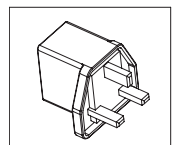
ENGLISH

Specifications Colour temp: 3000K Ra: 84 (Class II Plug Adapter, Class III light)

Product code	Wattage	Lumens	Mains USB Charging Time	Lighting max run Time	Phone charging max run time	Lighting/Phone charging max run time
JC17071	2W	154	6 hrs	12 hrs	7.5 hrs	6 hrs



Micro USB Lead:
1.2 metres



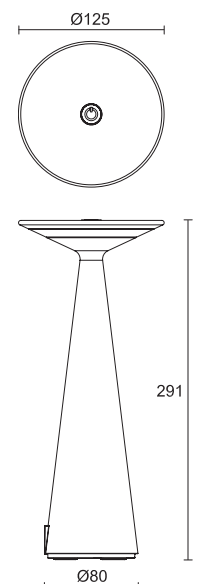
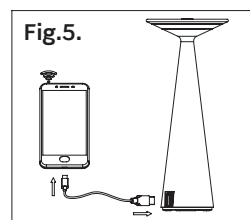
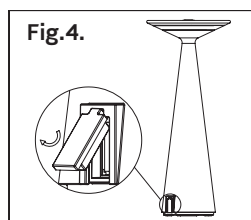
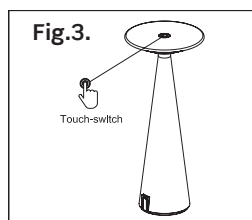
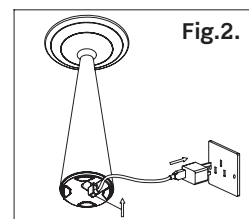
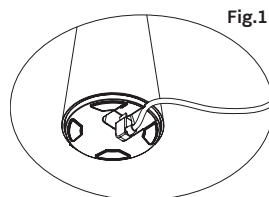
Mains USB Adapter:
100-240V~ 50/60Hz
5V --- 1A

DO NOT USE TO CHARGE MOBILE PHONE WHEN THE LAMP IS CHARGING FROM THE MAINS SUPPLY

1. Prior to use, ensure that the product is fully charged
2. Connect the micro USB lead to the charging port by removing the silicone protective cover on the base (Fig.1). Using the supplied Mains Adapter, connect the USB lead to the mains supply (Fig.2).
3. When the mains supply is connected the Touch Switch (Fig.3) will flash blue while charging, once fully charged will be solid blue. The Touch Switch will turn green whilst charging a mobile phone. (Note: the Batteries have built in over-charge protection)
4. To charge your mobile phone, connect your phone charging lead to the USB port on the side of the body (Fig.4).
5. Then connect you phone to the USB charging lead (Fig.5.)

Operation of Touch Button:

1. Single Touch: on or off
2. Press/Hold when on: Light increases gradually (release button when light level is achieved.)
3. When on, press for more than 4 secs (100% light output)
4. When on, single Touch fades light to off



General Maintenance Requirements

JCC Lighting Products recommends that this product is cleaned with warm water and dried with a chamois leather or absorbent dry cloth. Weathering, environmental pollution and bird droppings should be cleaned off with a non-abrasive cleaner. This is to ensure that the solar panel is fully effective in charging the batteries, and to preserve the finish of this product.

You can help protect the environment. Please remember to respect the local regulations: hand in the non-working electrical equipment to an appropriate waste disposal centre. The packaging material is recyclable. Dispose of the packaging in an environmentally friendly manner and make it available for the recyclable material collection service.

CE UK CA RoHS Compliant IP54 **jcc.co.uk**

Important warranty information

This product is supported by a 2-year standard warranty which will extend to 3 years if registered within the first year of purchase. (2 year on batteries). Please register at jcc.co.uk/warranty - Terms and conditions apply.

The installer will be asked to provide the following information, which is detailed on a label attached to the luminaire's chassis:
Product Code/Date Code.

BS EN ISO9001 - 2015 - Registered Firm Certificate No. GB 1552

JCC Lighting Products Ltd. Innovation Centre, Beeding Close, Southern Cross Trading Estate, Bognor Regis, West Sussex, PO22 9TS, United Kingdom

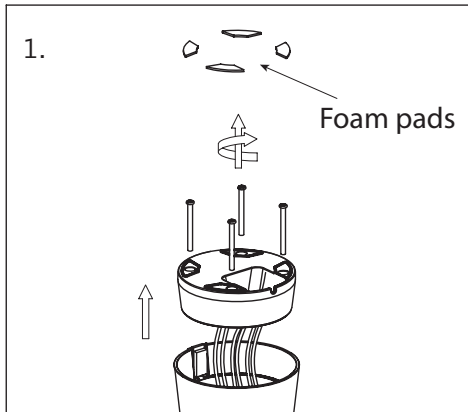
Technical Support: +44(0)1243 838986 Customer Services: +44(0)1243 838999

V2_October_2021_RS

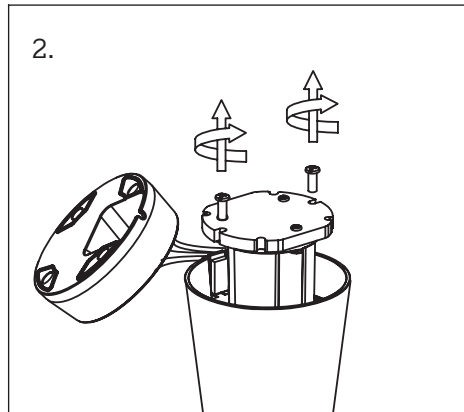
Round Rechargeable Light c/w power bank

Replacement of Batteries:

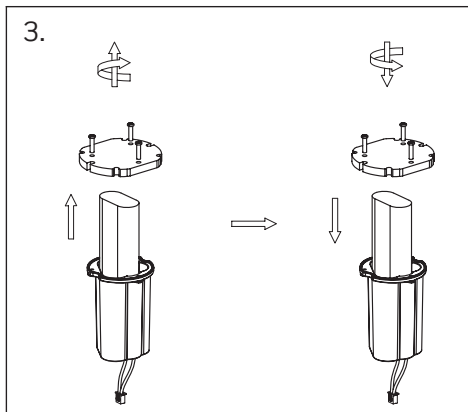
1 x SPR017002- 2 x 3.7V 18650 2200mAh Lithium battery



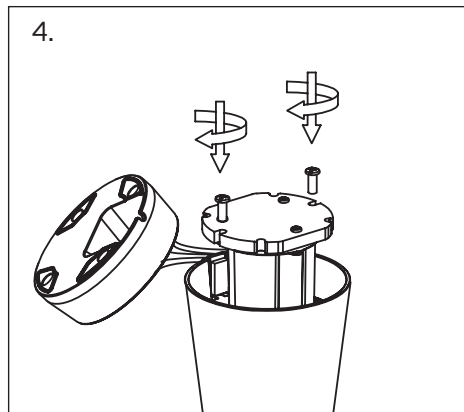
Turn the lamp upside down and carefully remove the 4 foam pads (you will need to save these to put back on), then remove the screws to release the base from the body



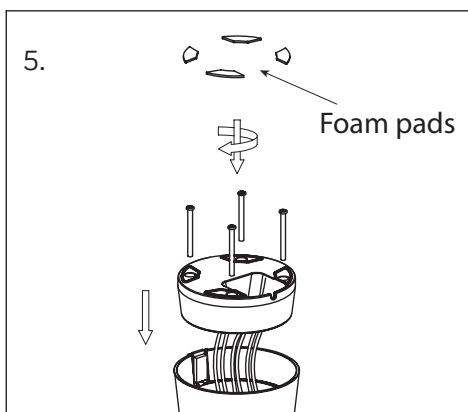
Rest the base to the side (DO NOT CUT OR TRY TO DISCONNECT THE WIRES). Remove the two screws holding the battery casing to the body. Remove the battery casing from the body and disconnect the battery



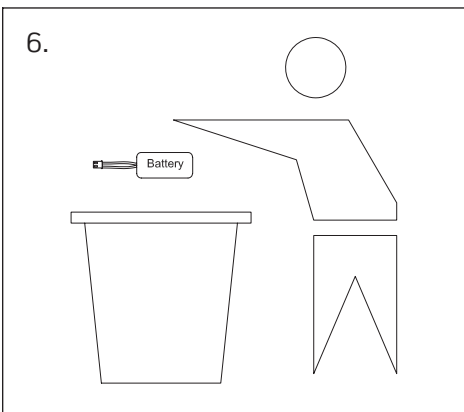
Remove the three screws holding the plate to the battery casing, remove the battery pack and replace with new pack ensuring to feed the battery wires through the bottom of the casing. Refit the plate to the casing and secure with the three screws.



Refit battery casing into the body and secure with the two screws. Make sure that the "o" ring is sitting correctly on the lip on the inside of the body



Refit the base into the body using the four screws, then refit the foam pads into the base to cover the screw holes



Please hand in the non-working battery to an appropriate waste disposal centre, do not dispose of with household waste

Prior to use after replacing the battery, ensure that the product is fully charged.

Please refer to point 2 in the installation instructions.