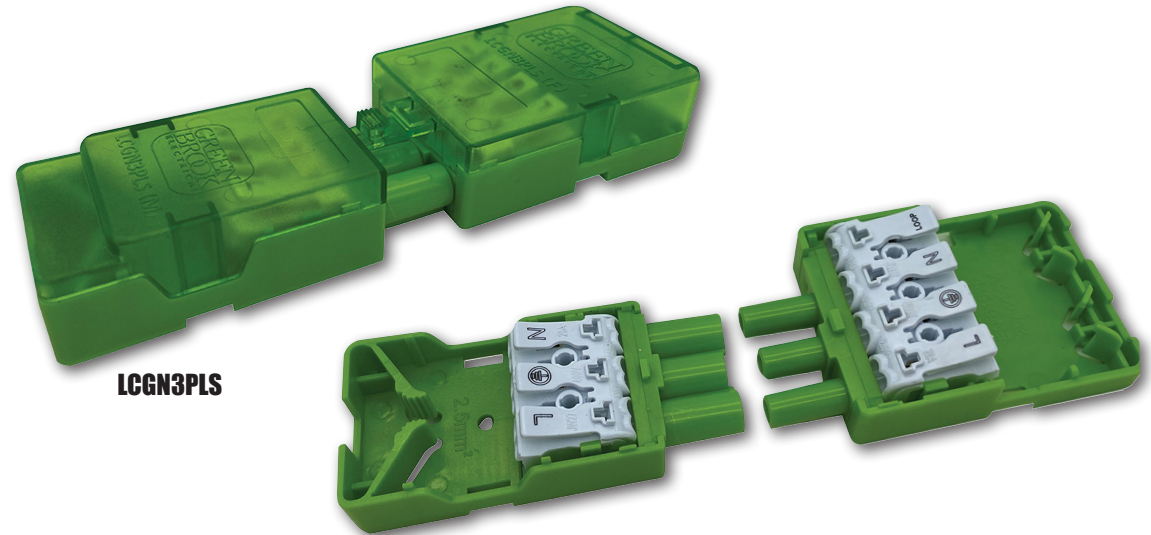


20Amp Lighting Connector with Quick Click Push-Fit Terminals

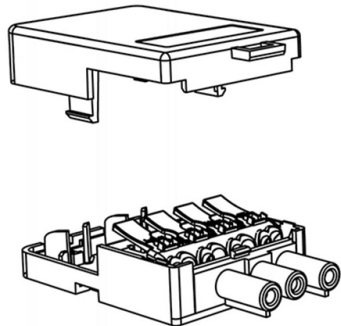
QUICK Connekt+

- + IP20
- + 250V / 20Amp Plug-in connector
- + Easy lock and release system
- + Push-fit cord grips
- + Large terminal for easy access
- + Designed and manufactured by GreenBrook



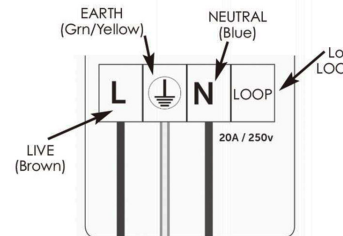
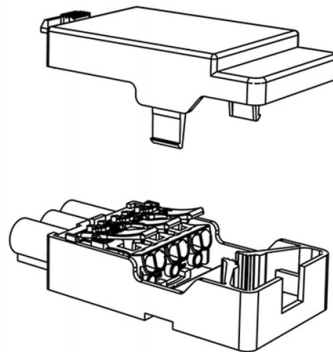
Female Socket

Upto 3 x 2.5mm² Twin & Earth can be used.



Male Plug

Upto 1 x 2.5mm² 3 core can be used.



LCGN3PLS

Max Voltage	250V / 20Amp
Barcode	5012739647567
Male Connector	1 x 2.5mm ² 3 core flex, screw cord grip
Female Connector	3 x 2.5mm ² Twin & Earth, loop terminal
Housing Material	Nylon 66 (PA66)
Product Finish	Polypropylene enclosure, Nylon connector
IP Rating	IP20
Terminal Material	Solid Ni Plated Brass
Box Qty	50
Dimensions	L142.5 x W45.5 x H21.6mm
Product Weight	68.5g
Guarantee	1 year
Conforms To	EN61535

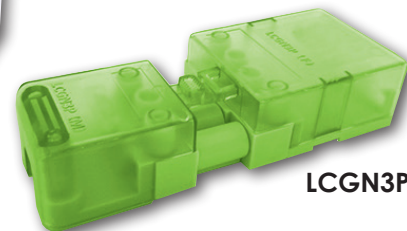
20Amp Lighting Connectors

- + IP20
- + Easy lock and release system
- + Large terminal for easy access
- + Designed and manufactured by GreenBrook

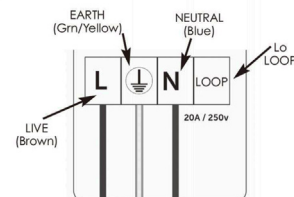


POS Display
Box Qty 50

QUICK3 Connekt

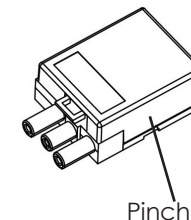


LCGN3P



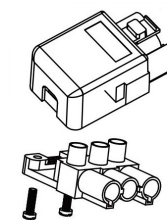
Female Socket

Upto 3 x 2.5mm² Twin & Earth can be used.



Male Plug

Upto 1 x 2.5mm² 3 core flex can be used.

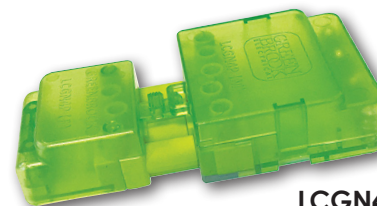


	LCGN3P	LCGN4P
Description	3 Way Connector	4 Way Connector
Max Voltage	250V / 20Amp	
Barcode	5012739641404	5012739645754
Male Connector	1 x 2.5mm ² 3 core flex	1 x 2.5mm ² 4 core flex
Female Connector	3 x 2.5mm ² flat Twin & Earth	3 x 2.5mm ² flat Twin & Earth
Housing Material	Nylon 66 (PA66)	
Product Finish	Polypropylene enclosure, Nylon connector	
IP Rating	IP20	
Box Qty	50	
Dimensions	L110x W42 x H22.3mm	L113x W55 x H22mm
Product Weight	0.55kg	0.79Kg
Guarantee	1 year	
Conforms To	EN61535	

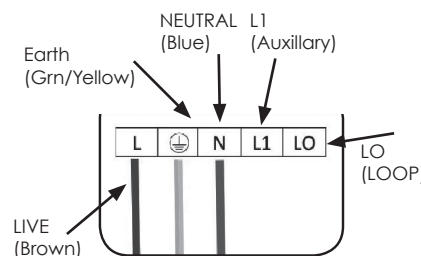
Note:

- These couplers are suitable for installation in NON-READY
- This system is NOT a replacement for a domestic plug & socket outlet system.
- Installation couplers are intended for connection and disconnection without load.
- Any dangerous compatibility between manufacturer installation coupler system is not automatically prevented by Compliance with IEC EN61535.

QUICK4 Connekt

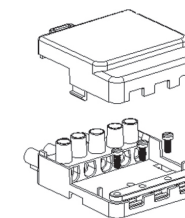


LCGN4P



Female Socket

Upto 3 x 2.5mm² Twin & Earth can be used.



Male Plug

Upto 1 x 2.5mm² 4 core flex can be used.

