

JC72508

Skydisc IP65

Skydisc IP65 23W 4700K 2100Lm

Features & Benefits

- Polycarbonate construction
- Triac dimmable as standard
- Low profile design ideal for use in shallow voids
- IP65 suitable for use in bathrooms (internal use only)



CLASS II



DIMMABLE



BEAM



CRI:RA



WARRANTY



RATING

General Information

Product Group	LED - Recessed
Product Range	Skydisc IP65
Trade Name	Skydisc
Light Source	LED
Light Source Features	Cool White
Product Shape	Round
Additional Information	Not suitable for use with JCEM001ST
Mounting	Recessed
Product Weight	0.405kg
Color Finish	White
Overall Dimensions (mm) Rim	Ø240mm
Recommended Product Location	Indoor only
Method Of Fix	Spring Clips (supplied)
Product Aperture Size	230mm
IP Rating	IP65

Environment	Indoor
Suitable For Zones	Zone 1
Luminaire Accessories	Emergency remote pack JCEM001
Origin of manufacturer	Made In China
Warranty	2 years standard warranty extends to 3 years when registered within the first year of purchase (See Website for terms and conditions)
Dimming Protocol Compatibility	Triac
Driver Manufacturer	JCC
LED Manufacturer/Type	Runlite
Lighting Product Type 1	Downlight

Electrical

Voltage Rating	220-240
Secondary Running Current	270mA
Primary Running Current	0.18Amp
Operating Frequency Hz	50/60Hz
CC or CV	Constant current
Luminaire Circuit Wattage	23W
Class	Class II, double insulated no earth required
Output Voltage (V)	75.6-89.1VDC
EMC Compliant (EN55015)	Yes
Power Factor Correction	0.9
Input Electrical Connections	Live & Neutral: Class II, no Earth connection required.
Dimmable	Yes, Triac compatible

Thermals

Room Ambient Temperature Not To Exceed	30°C
Insulation Coverage	Do not cover with insulation

Performance Data

LED Life (Hours)	36000
Lamp Life (Hours)	36000

Hours life stated is an indication of expected L70 chip and light output calculations when operating in optimum conditions. Product warranty period supports the full product during the term given. The L70 hours expectancy is not correlated with the full product warranty term, nor is it a representation of lumen depreciation during the warranty period.

Energy Rating	This product contains a light source of energy efficiency class G
Actual Lumen Output	2100
Lumens Per Circuit Watt	91
Color Rendering Index	80-89
CRI: Ra	80
Correlated Color Temperature	4700K

Light Distribution Detail
LOR (Light Output Ratio) %
Photometry Available

120-degree
100
Yes

Construction

Primary Material
Driver Housing

Polycarbonate
Polycarbonate

Packaging

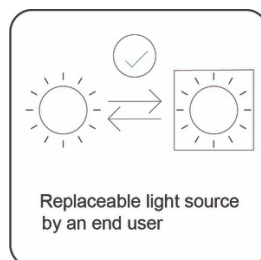
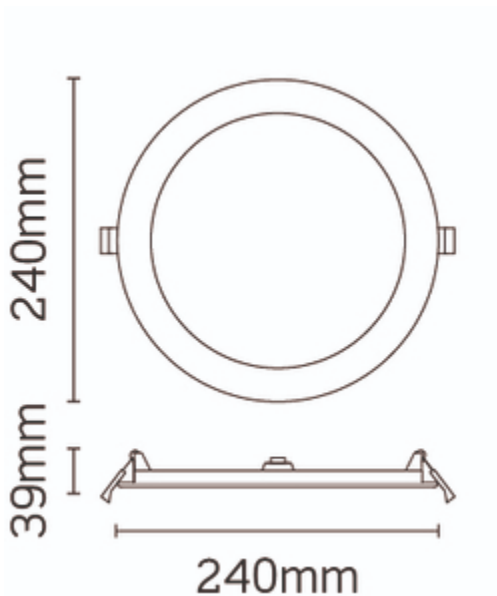
Product Packaged Weight
Quantity Per Outer Carton
Product Bar Code EAN-13 Number

0.52kg
40
5052544080371

Standards & Approvals

Manufactured In Accordance To
CE Marked
UKCA Marked
WEEE Symbol
Certificate Of Conformity
Accredited Members

BS EN 60598:2015, 2-1, 2-2
Yes
Yes
Yes
Yes: available on request.
LIA, ISO9001:2015, ISO14001:2015





JCC Lighting LTD Innovation Centre, Beeding Close, Southern Cross Trading Estate, Bognor Regis, West Sussex PO22 9TS
Sales: 01243 838999 (8am to 5pm Monday to Friday) Fax: 01243 838998 | sales@jcc.co.uk | www.jcc.co.uk
Company Registration Number: 03044848 | VAT Number: 918544112

This document is uncontrolled if printed, all information is subject to change

Version 62 [23 Apr 2021]