

JC50323

Emergency Exit Blade

3W Wall/Ceiling Exit Blade Maintained 3M self-test IP20 without legend

Features & Benefits

- Visible from a distance of 24 metres
- Running man legend kits bought separately
- Suitable for use as maintained and non maintained
- Hinged frame for wall and ceiling mounting applications (JC50323 only)



General Information

Mounting	Wall
Environment	Indoor
Suitable For Zones	Outside zone 2
Product Group	Emergency
Product Range	Exit Blade
Trade Name	Emergency Range
Color Finish	White
Product Shape	Rectangular
Product Weight(kg)	0.89
Overall Dimensions	300 x 233 x 35 mm
Light Source	LED
Light Source Features	Vibrant White
Additional Information	Viewing distance 35 metres
Luminaire Accessories	JC50308(left+right legend pack)JC50310(2 x down legend pack)JC50311(2 x Up legend pack)
Recommended Product Location	Wall or ceiling mount, indoor use only
Method Of Fix	Screws and rawl plugs(not supplied)
IP Rating	IP20
Origin of manufacturer	Made in China
Warranty	2 years standard warranty extends to 3 years when registered within the first year of purchase (2 years on batteries)(See Website for terms and conditions)

Operation Type	Maintained or non-maintained options
Mounting Height	Max 3 metres
Driver Manufacturer	JCC
LED Manufacturer/Type	Everlite 2835
Lighting Product Type 1	Emergency Lighting
Lighting Product Type 2	Recessed

Electrical

Voltage Rating	220-240
Primary Running Current(Amp)	0.05-0.09
Operating Frequency Hz	50/60Hz
Constant Current or Constant Voltage	CC
Luminaire Circuit Wattage	3W(AC)8.6W(DC)
Class	II
Input Electrical Connections	S/L(brown),U/S live(black),Neutral(blue)
Dimmable	No

Emergency Data

Load Voltage(DC)	12
LOR % in Emergency Mode	1
Inverter PFC	0.67

Battery Data

Battery Specification	3.6V,900mAh Ni Cd
Nominal Battery Current	900mAh
Charge Current	41~105mA
Recharge Time	24hrs
Battery run time	3hrs

Thermals

Operating Temperature Range °C	0 to +26
--------------------------------	-----------------

Performance Data

LED Life (Hours)	50000
------------------	--------------

Hours life stated is an indication of expected L70 chip and light output calculations when operating in optimum conditions. Product warranty period supports the full product during the term given. The L70 hours expectancy is not correlated with the full product warranty term, nor is it a representation of lumen depreciation during the warranty period.

Actual Lumen Output	25 (AC) 25 (DC)
Lumens Per Circuit Watt	8 Lpcw(AC) 8 LpcW(DC)
Color Rendering Index	80-89
CRI: Ra	86
Correlated Color Temperature	6000K
LOR (Light Output Ratio) %	100
Photometry Available	yes

Construction

Primary Material

Polycarbonate

Packaging

Product Packaged Weight(kg)

0.94

Quantity Per Outer Carton

10

Product Bar Code EAN-13 Number

5052544080586

Standards & Approvals

Manufactured In Accordance To

BS EN60598-2-22

CE Marked

yes

UKCA Marked

Yes

Date code/Purchase order No.

Yes

WEEE Symbol

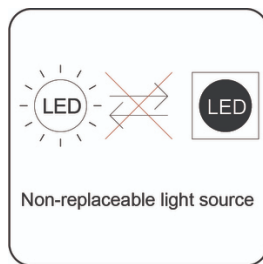
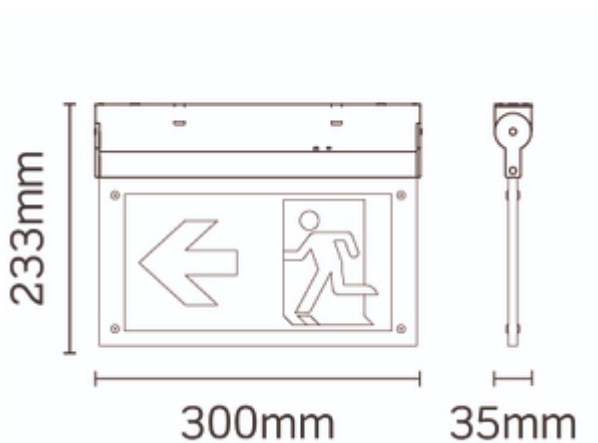
yes

Certificate Of Conformity

Available on request

Accredited Members

LIA, ISO9001-2015, ISO14001-2015



JCC Lighting LTD Innovation Centre, Beeding Close, Southern Cross Trading Estate, Bognor Regis, West Sussex PO22 9TS
Sales: 01243 838999 (8am to 5pm Monday to Friday) Fax: 01243 838998 | sales@jcc.co.uk | www.jcc.co.uk
Company Registration Number: 03044848 | VAT Number: 918544112