

# Mini Receivers



Can be paired with up to 6 kinetic switches



Easy Pairing

## Technical Parameters

SKU	WS1055M
Power Consumption	<0.1W
Working Temperature	-20°C - 50°C
Storage Capacity	10 switch-keys
Power Model	AC 100-240V, 50/60 Hz
Distance	30m(indoor), 80m(outdoor)
Colour	White
Rated Current	5A
Weight	32g
Comm	ASK / 433MHz
Dimension	L44xW44xH22mm

## Mini Non-Dimmable Receiver



## Technical Parameters

SKU	WS1056M
Power Consumption	<0.1W
Working Temperature	-20°C - 50°C
Storage Capacity	10 switch-keys
Power Model	AC 100-240V, 50/60 Hz
Distance	30m(indoor), 80m(outdoor)
Colour	White
Max Power	4 - 100W
Weight	32g
Comm	ASK / 433MHz / WiFi 2.4G
Dimension	L44xW44xH22mm

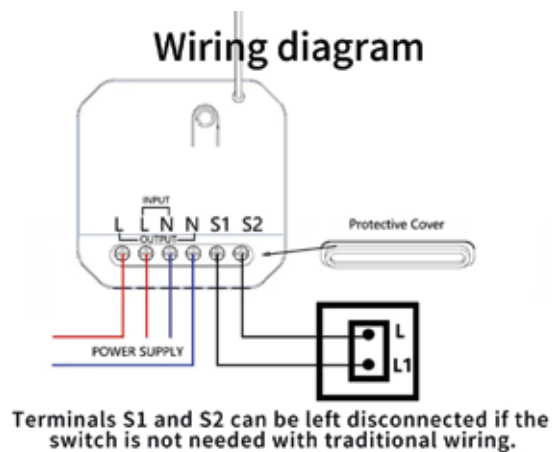
## Mini Dimmable Receiver



works with



Technical Parameters	
SKU	WS1057M
Power Consumption	<0.1W
Working Temperature	-20°C - 50°C
Storage Capacity	10 switch-keys
Power Model	AC 100-240V, 50/60 Hz
Distance	30m(indoor), 80m(outdoor)
Colour	White
Rated Current	5A
Weight	32g
Comm	ASK / 433MHz / WiFi 2.4G
Dimension	L44xW44xH22mm



### Thank you for choosing ENER-J!

Customer satisfaction is our TOP priority, please let us know how you felt about your experience. Happy?

We are so happy that you are pleased with our product. Feel free to express your newfound joy! Share your experience by writing a review.

Not Happy? If you are not fully satisfied with the item you received, have any problems like damages, or questions, please contact us. We typically respond within 24-48 hours.

### Stuck? Confused?

Contact our Technical Support team on:

T: +44 (0)1291 446 105 E: support@ener-j.co.uk

Lines are open Mon - Fri (8am to 4pm)