

# Emergency Range

Installation instructions for JC50324 3W Recessed Suspended Emergency Exit Blade



## Warnings & Cautions

- To avoid electric shock, serious injury or property damage, isolate power before installing, removing or servicing the product.
- It is recommended that luminaires are installed by a qualified electrician to ensure the installation complies with the local current wiring regulations.
- It may be necessary to upgrade your MCBs to allow for increased inrush current.
- This product is designed for connection to a 220-240V~ 50/60Hz.
- This product is suitable for indoor use only.
- Read instructions and check that you have all of the tools and accessories required to complete the installation correctly. Isolate power supply before starting installation.
- Do not carry out insulation tests with the product connected to the circuit.
- Any broken or damaged parts should be replaced as soon as possible. JCC will not accept responsibility for claims arising from sub-standard installations; which will void the warranty.
- It is recommended that the ambient room temperature should not exceed 30°C.

## INSTALLATION

ENGLISH

3W 220-240V~ 50/60Hz - Class II

Colour temp: 6000K Ra: 87

Maintained(3M)  
+Light on 24/7  
+Emergency

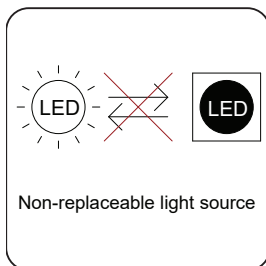
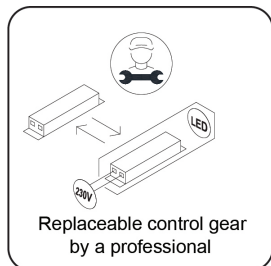
Neutral: Blue   
Usw/Live: Black

### Installation procedure

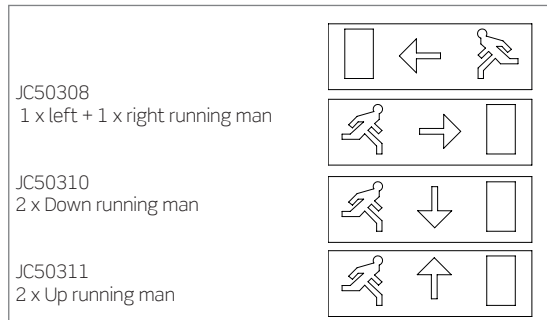
- To remove the back cover, remove the two screws from the front.
- Cable entry is available through the rear only.
- Cut out for installation is 280 mm long by 50mm wide.
- Connect the mains input supply as indicated above for the required operation.
- Connect the emergency battery leads to the circuit board (top right hand corner - next to the batteries).
- Refit the body to the base and push both spring clips back and place into cut out.
- Using the 4 press clips supplied, fit the two corresponding legends to the blade to suit the application.
- Switch on mains supply and test for operation (allow 24hrs for batteries to charge).
- Familiarise yourself with the enclosed emergency fittings test record sheet and ensure it is completed as required.

### Function test

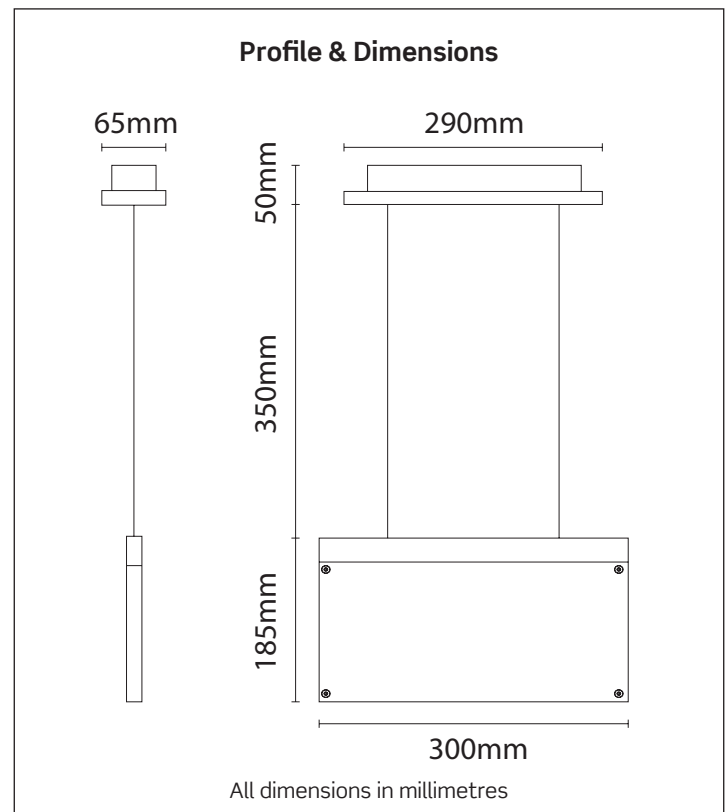
- With mains supply and green indicator light on, press the Test Button to check function.
- Green indicator light will go off and the fitting will operate in emergency mode.
- Release the button and the indicator light will come on and the fitting will then return to previous operation.



Available legends to order:



Cut out 280mm x 50mm



CE UK RoHS Compliant IP20 [jcc.co.uk](http://jcc.co.uk)

## Important warranty information

This product is supported by a 2-year standard warranty which will extend to 3 years if registered within the first year of purchase. (2 year on batteries). Please register at [jcc.co.uk/warranty](http://jcc.co.uk/warranty) - Terms and conditions apply.

The installer will be asked to provide the following information, which is detailed on a label attached to the luminaire's chassis:  
Product Code/Date Code.

BS EN ISO9001 - 2015 - Registered Firm Certificate No. GB 1552

JCC Lighting Products Ltd. Innovation Centre, Beeding Close, Southern Cross Trading Estate, Bognor Regis, West Sussex, PO22 9TS, United Kingdom

Technical Support: +44(0)1243 838986 Customer Services: +44(0)1243 838999

V3\_May\_2021\_GL

