



CorePro LEDspot LV



CorePro LED spot ND4.4-35WMR16 827 36DUK

CorePro LEDspots are a perfect fit for spot lighting and deliver warm halogen-like light. They are compatible with most existing fixtures with MR16 GU5.3 holders and are designed as a retrofit replacement for halogen or incandescent spots. LEDlamps deliver huge energy savings and minimize maintenance cost.

Product data

General Information	
Cap base	GU5.3
Nominal lifetime	15,000 h
Switching Cycle	50,000
Lighting Technology	LED
Light Technical	
Colour Code	827 [CCT of 2700K]
Beam angle (nom.)	36 degree(s)
Luminous Flux	345 lm
Luminous intensity (nom.)	650 cd
Luminous efficacy (rated) (nom.)	78 lm/W
Colour designation	Warm White (WW)
Correlated Colour Temperature	2700 K
Colour consistency	<6
Colour rendering index (CRI)	80
LLMF at end of nominal lifetime (nom.)	70 %
Luminous flux in 90° cone (rated)	345 lm
Photobiological safety according to EN 62471	RG1
Operating and Electrical	
Line Frequency	- Hz
Input frequency	- Hz

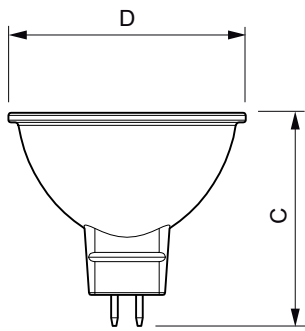
Power Consumption	4.4 W
Lamp current (nom.)	520 mA
Wattage equivalent	35 W
Starting time (nom.)	0.5 s
Warm-up time to 60% light	0.5 s
Power Factor (Fraction)	0.6
Voltage (nom.)	ac electronic 12 V
Temperature	
T-Case maximum (nom.)	85 °C
Controls and Dimming	
Dimmable	No
Mechanical and Housing	
Bulb shape	MR16
Approval and Application	
Energy Efficiency Class	F
Suitable for accent lighting	Yes
Energy consumption kWh/1,000 hours	5 kWh
EPREL registration number	421457
EU RoHS compliant	Yes

CorePro LEDspot LV

EyeComfort	Yes
Application Conditions	
Can it be used in closed luminaires	No
Product Data	
Order product name	CorePro LED spot ND4.4-35WMR16 827 36DUK
Full product name	CorePro LED spot ND4.4-35WMR16 827 36DUK

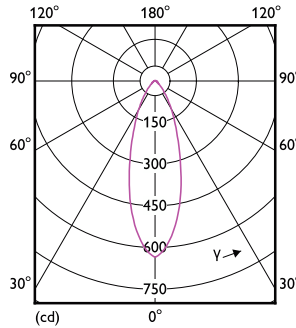
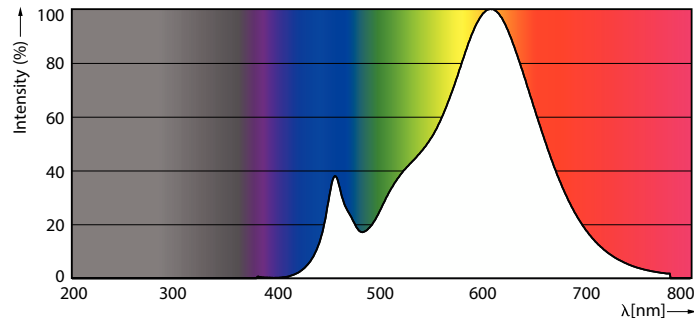
Full EOC	871951430706301
Order code	30706301
Material no. (12 NC)	929002494699
Numerator – quantity per pack	1
Net Weight (Piece)	0.045 kg
EAN/UPC – Product/Case	8719514307063
Numerator – packs per outer box	10
EAN/UPC – Case	8719514405462

Dimensional drawing



Product	D	C
CorePro LED spot ND4.4-35WMR16 827 36DUK	50.5 mm	45.5 mm

Photometric data

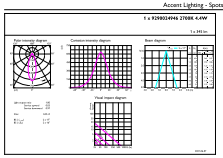


Spectral Power Distribution Colour - CorePro LED spot ND4.4-35WMR16 827 36DUK

Light Distribution Diagram - CorePro LED spot ND4.4-35WMR16 827 36DUK

CorePro LEDspot LV

Photometric data

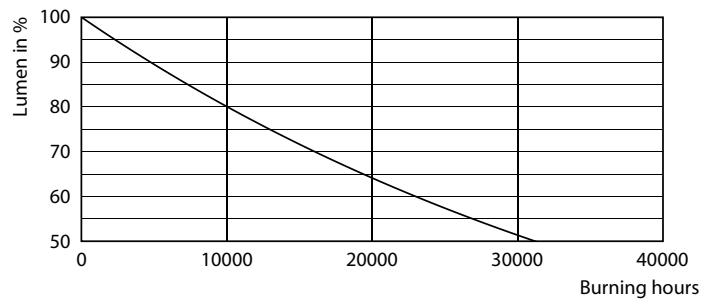


Accent Lighting Spots - CorePro LED spot ND4.4-35WMMR16 827 36DUK

Lifetime



Life Expectancy Diagram



Lumen Maintenance Diagram - CorePro LED spot ND4.4-35WMMR16 827 36DUK

