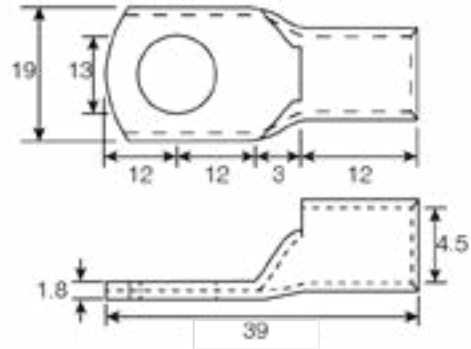


Product Code: QCT10-12

Description: 10mm<sup>2</sup> Copper Tube Lug With 12mm Stud



**Dimensions**

Stud Size (mm)	12
Overall Length (mm)	39
Bellmouth Length (mm)	12
Bellmouth Internal Diameter (mm)	4.5
Stud Entry Diameter (mm)	13
Overall Width (mm)	19
Terminal Thickness (mm)	1.8
Stud Centre From Front (mm)	12
Stud Centre From Rear (mm)	12
Bellmouth To Terminal (mm)	3

**General Information**

Contact Plating (Microns)	5 to 8
Conductor Size (mm <sup>2</sup> )	10
Flared Entry	Yes
Conductivity	97% to IACS
Inspection Window	Yes
Fixing Type	Suitable for crimp or solder
Working Temperature (°C)	<180

**Materials**

Material: Tin Plated Copper Tube

**Additional Information**

When using flexible fine strand or welding cable it may be necessary to select the next larger terminal size, i.e 70mm<sup>2</sup> fine strand, select 95mm<sup>2</sup> terminal.

**Standards**

ANSI/UL 486A-486B, CAN/CSA-C22.2 No. 65  
ANSI/UL 486C, CSA-C22.2 No. 188  
Tensile performance requirements to IEC 61238-1-1: 2018

