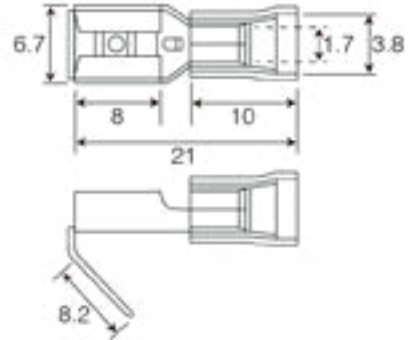


Product Code: QRPOA63

Description: 6.3mm x 0.8mm Piggy Back Push-on Terminals - Red



**Dimensions**

Receptacle/Tab Size (mm)	6.3 x 0.8
Overall Length (mm)	21
External Diameter (mm)	3.8
Push-on Width (mm)	6.7
Push-on Length (mm)	8
Piggy Back Length (mm)	8.2
Terminal Entry Diameter (mm)	1.7
Material Thickness (mm)	0.4

**General Information**

Colour	Red
Maximum Voltage (V)	600
Maximum Current Rating (A)	10
Suitable Cable Size (mm <sup>2</sup> )	0.5 - 1.5
Temperature Rating (°C)	-10 to +75

**Materials**

Terminal: Tin Plated Brass  
Insulation: PVC

**Additional Information**

Compatible Male Push-on Terminal - QRPO63M

**Standards**

ANSI/UL 486A-486B, CAN/CSA-C22.2 No. 65  
ANSI/UL 486C, CSA-C22.2 No. 188  
ANSI/UL 310, CSA-C22.2 No. 153

