

JC73406

Skydisc IP20

Skydisc IP20 22W 5700K 1750Lm

Features & Benefits

- Polycarbonate construction
- Three sizes available
- Ultra low profile design
- Non-dimmable



BEAM



CLASS II



WARRANTY



CRI:RA



RATING

General Information

Product Group	LED - Recessed
Product Range	Skydisc IP20
Trade Name	Skydisc
Light Source	LED
Light Source Features	Cool White
Product Shape	Round
Additional Information	Not suitable for use with JCEM001ST
Mounting	Recessed
Product Weight	0.405kg
Color Finish	White
Overall Dimensions (mm) Rim	Ø240mm
Recommended Product Location	Interior Recessed
Method Of Fix	Spring Clips (supplied)
Product Aperture Size	230mm
IP Rating	IP20

Environment	Indoor
Luminaire Accessories	Emergency remote pack JCEM001
Origin of manufacturer	Made In China
Warranty	2 years standard warranty extends to 3 years when registered within the first year of purchase (See Website for terms and conditions)
Driver Manufacturer	JCC
LED Manufacturer/Type	Runlite
Lighting Product Type 1	Downlight

Electrical

Voltage Rating	220-240
Secondary Running Current	275mA
Primary Running Current	161mA
Operating Frequency Hz	50/60Hz
CC or CV	Constant Currant
Luminaire Circuit Wattage	22
Class	II: Double Insulated, no Earth required.
Output Voltage (V)	67.2-79.2VDC
EMC Compliant (EN55015)	Yes
Power Factor Correction	0.9
Input Electrical Connections	Live & Neutral
Dimmable	No

Thermals

Insulation Coverage	Do not cover with insulation
---------------------	-------------------------------------

Performance Data

LED Life (Hours)	30000
------------------	--------------

Hours life stated is an indication of expected L70 chip and light output calculations when operating in optimum conditions. Product warranty period supports the full product during the term given. The L70 hours expectancy is not correlated with the full product warranty term, nor is it a representation of lumen depreciation during the warranty period.

Energy Rating	This product contains a light source of energy efficiency class G
Actual Lumen Output	1750
Lumens Per Circuit Watt	80
Color Rendering Index	80-89
CRI: Ra	80
Correlated Color Temperature	5700K
Light Distribution Detail	120-degree
LOR (Light Output Ratio) %	100
Photometry Available	Yes

Construction

Primary Material

Polycarbonate

Packaging

Quantity Per Outer Carton

40

Product Bar Code EAN-13 Number

5052544102271

Outer carton Bar Code ITF-14 Number

15052544102278

Standards & Approvals

Manufactured In Accordance To

BS EN 60598:2015, 2-1, 2-2

CE Marked

Yes

UKCA Marked

Yes

WEEE Symbol

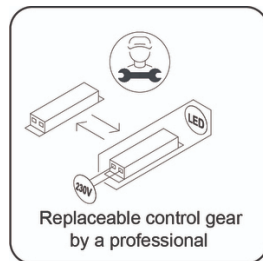
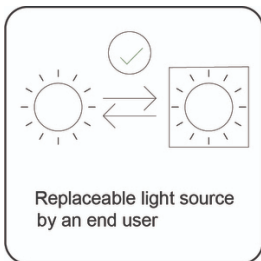
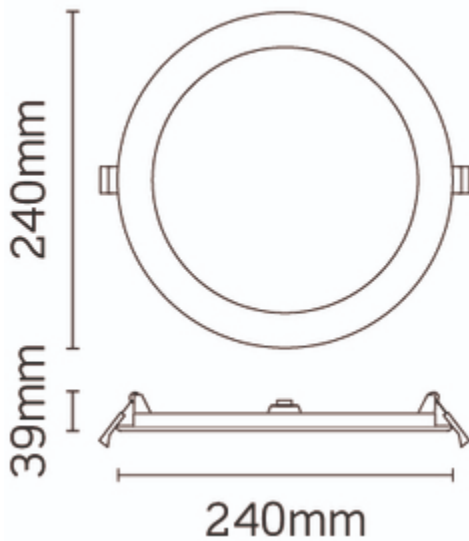
Yes

Certificate Of Conformity

Yes: available on request.

Accredited Members

LIA, ISO9001:2015, ISO14001:2015





JCC Lighting LTD Innovation Centre, Beeding Close, Southern Cross Trading Estate, Bognor Regis, West Sussex PO22 9TS
Sales: 01243 838999 (8am to 5pm Monday to Friday) Fax: 01243 838998 | sales@jcc.co.uk | www.jcc.co.uk
Company Registration Number: 03044848 | VAT Number: 918544112

This document is uncontrolled if printed, all information is subject to change

Version 53 [23 Apr 2021]